

Thank you for choosing Weather Shield Windows and Doors. These instructions will cover a typical installation of a hinged patio door with an integral nailing fin. Instructions may not be right for all installations due to specific building conditions. Consult a contractor or architect for recommendations.



Important: Please read completely before you begin.

<p>! WARNING</p> <p>Doors can be extremely heavy. To avoid injury, use appropriate lifting techniques and an adequate number of people to carry and install the product. Mechanical lifting assistance may be needed for larger panels and glass. Failure to do so can result in injury or damage to product or property.</p>	<p>! WARNING</p> <p>Special care must be taken with units with protective glass film applied. DO NOT remove protective film near flammable materials. Static charge created when removing the film can ignite flammable materials or cause a shock. DO NOT place suction grips over film seams. Suction grips will not hold if placed over film seam to lift heavy glass or panels.</p>
<p>! WARNING</p> <p>This product may contain chemicals known to the state of California to cause cancer, birth defects, or other reproductive harm. For more information go to www.P65Warnings.ca.gov</p>	<p>! WARNING</p> <p>This door is glazed with safety glass (tempered or laminated). If broken, glass must be replaced with safety glass in accordance with state and federal laws.</p>

TOOLS AND MATERIALS NEEDED

Tools

Measuring tape
Level (4' minimum recommended)
Square
Hammer
Phillips Screwdriver
Power driver
Utility knife
J-roller
Caulk gun
Pry bar
Hex Keys (3,4,6 mm)

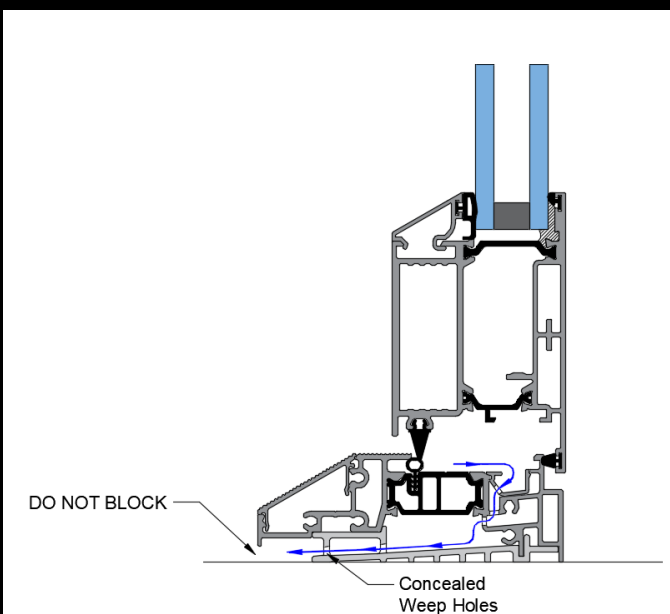
Installation Materials (not included)

Flashing tape (4" Minimum)
Formable self-adhering sill flashing (or rigid pan)
#8 x 2" flat head screws
High-quality sealant
Shims (moisture-proof)
Low-expanding foam

Materials Included in the Job Box

Installation Instruction Booklet
Construction handle set
Finished handle set
Hinge, through frame fastener – (3) #10 x 2-1/2"
U-Shaped Plastic Shims

! DO NOT BLOCK WEEPS

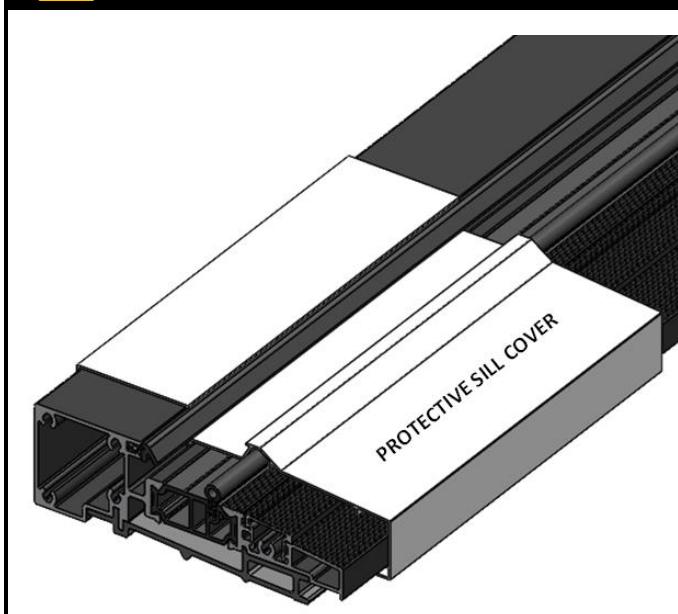


DO NOT BLOCK

Concealed Weep Holes

VUE Collection hinged doors feature an internal drain system at the sill. The exterior facing weep holes are concealed under the outer most sill cover. Do not caulk over or block this area under the sill.

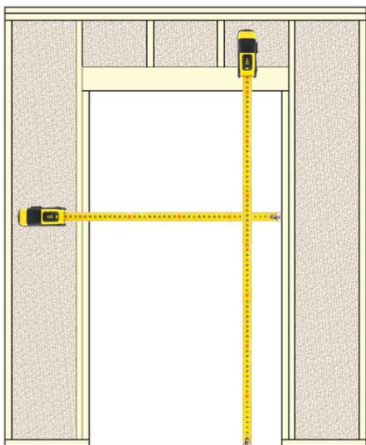
! SILL PROTECTORS



PROTECTIVE SILL COVER

All VUE Collection hinged doors come from the factory with a rigid vinyl, protective sill cover. This vinyl part should be left on the door through the construction process and removed prior to occupancy.

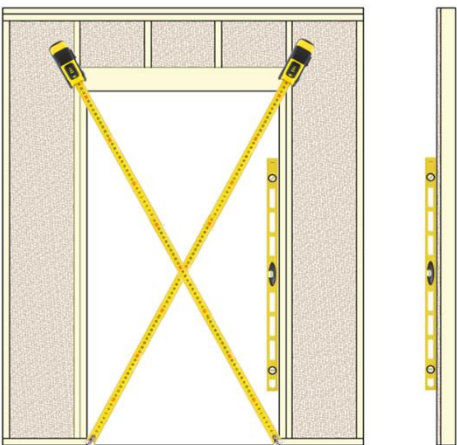
1 ROUGH OPENING VERIFICATION



INTERIOR

Measure the rough opening and make sure it is $\frac{3}{4}$ " larger than the door in width and $\frac{1}{2}$ " in height. Measure the width and height in several places to ensure the header or studs are not bowed.

2 ROUGH OPENING VERIFICATION

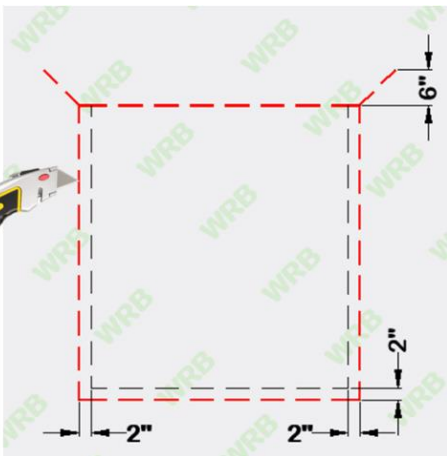


INTERIOR

Check the opening is plumb, level, and square. Diagonal measurements must be within $\frac{1}{8}$ ".

NOTE: If conditions in steps 1 & 2 are not met, make corrections before proceeding.

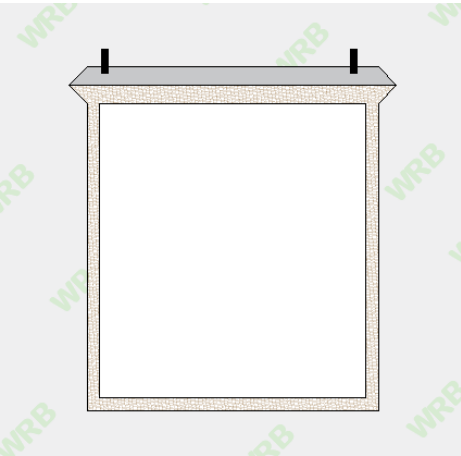
3 CUTTING WEATHER RESISTANT BARRIER



EXTERIOR

Cut the house wrap at the sill 2" below the rough opening and 2" past the jambs on each side. Cut the house wrap at the head even with the framing and diagonally past the jamb 6" to create a flap.

4 ROUGH OPENING VERIFICATION

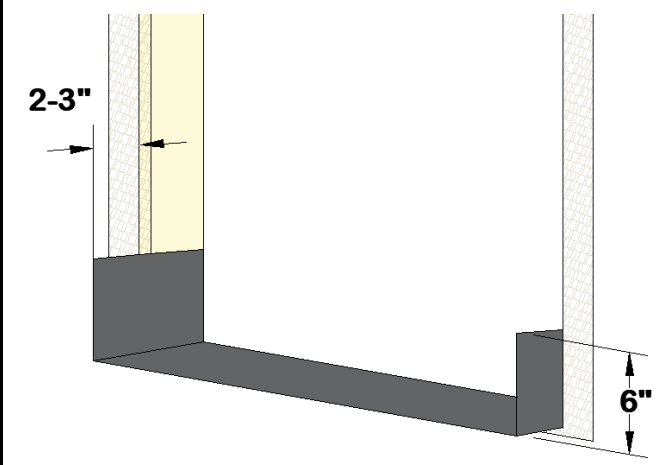


EXTERIOR

Fold the flap up and temporarily tape it above the opening.

NOTE: This method will allow the nailing fin to mount directly to the sheathing. Check with the building wrap manufacturer to verify this does not void their warranty.

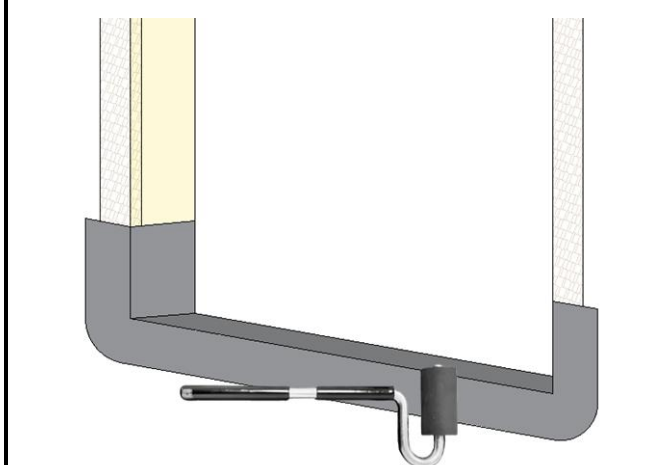
5 APPLY SILL FLASHING



EXTERIOR

Cut flexible sill flashing material so it is long enough to extend up a minimum of 6" up each side jamb (R.O. + 12" min.).

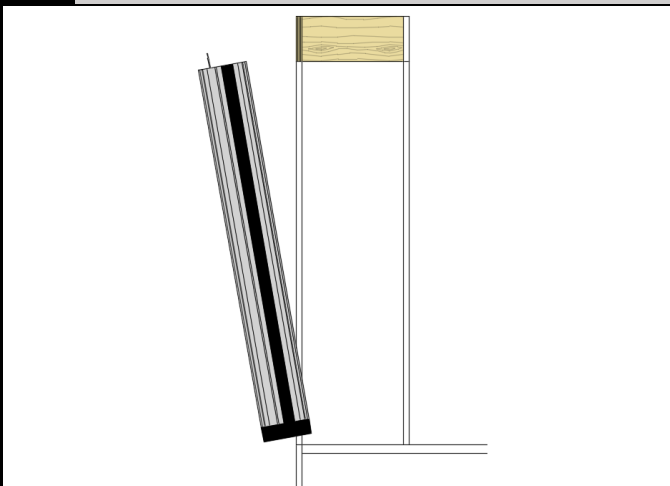
6 APPLY SILL FLASHING



EXTERIOR

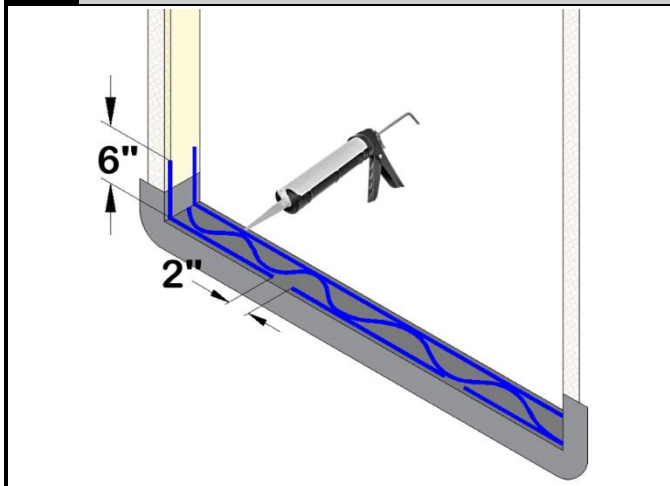
Pull the backing from the flashing and apply to the sill allowing the flashing to extend up the side jambs 6". Fold the flashing over the sheathing and WRB. Roll smooth with J-roller to remove air pockets and promote adhesion.

7 DRY FIT THE DOOR IN THE OPENING



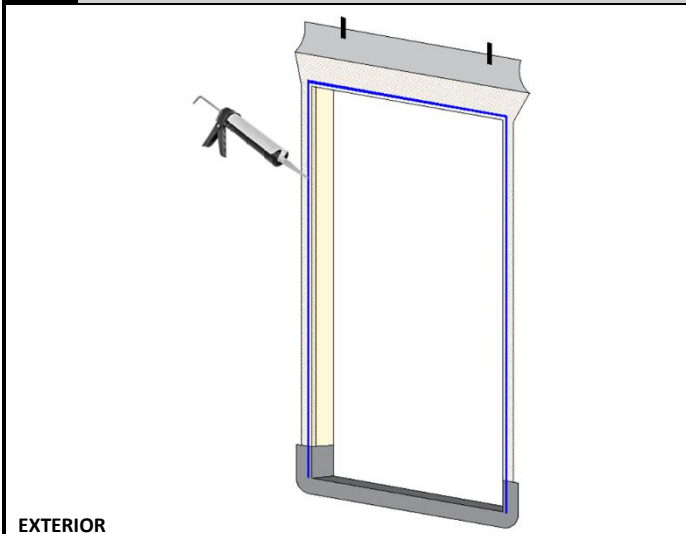
Before permanently installing the door in the opening, dry fit the door in the opening to verify the fit. With the door in the opening, mark a line for the innermost part of the sill. This will help locate the sealant for the next step. **NOTE:** For step down door openings, it may be necessary to add a support block to the underside of the sill. This will need to be added prior to installing the door permanently into the opening.

8 APPLY SEALANT TO THE SILL FLASHING



Apply a continuous 3/8" bead of sealant in line with the innermost part of the door sill continue up the jamb 6". For the outermost part of the sill apply sealant the full width of the door leaving 2" gaps approximately every two feet. Continue the bead 6" up the jamb on each side. In between the sealant rows, add a continuous wavy bead of sealant.

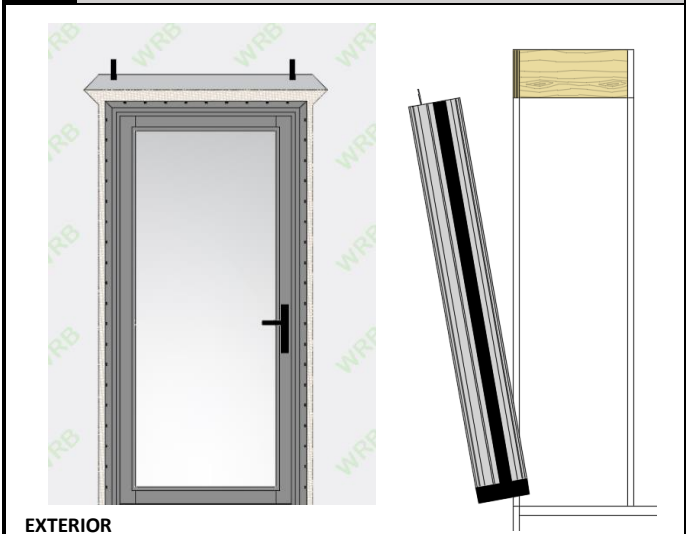
9 APPLY SEALANT TO FRAMING



EXTERIOR

Apply a continuous 3/8" bead of sealant directly to the sheathing along both side jambs and across the head. Make sure the sealant bead is aligned where it will make full contact with the nailing fin.

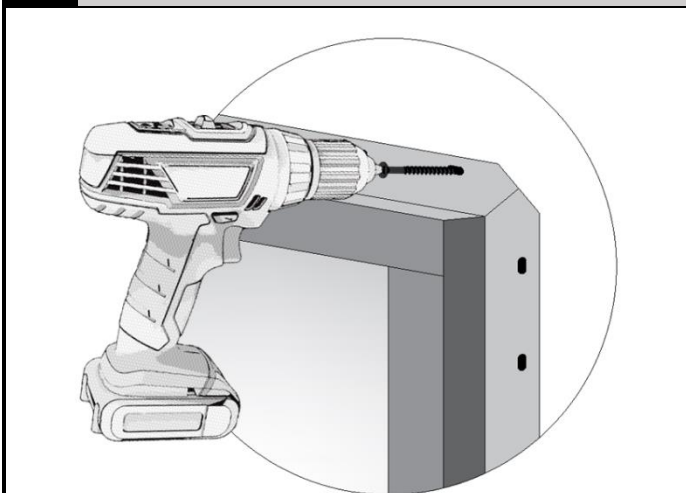
10 INSERT THE DOOR IN THE OPENING



EXTERIOR

Immediately after applying sealant, lift and center door in the opening from the exterior setting the sill in first and tipping the door into place.

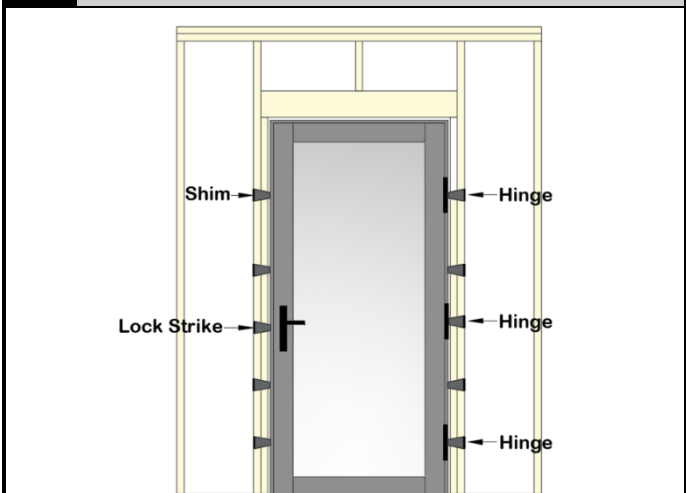
11 TEMPORARILY SECURE FRAME



EXTERIOR

Secure one side top corner with either a rust-proof roofing nail or a #8 steel screw. Fasteners must be long enough to penetrate the framing material by at least 1-1/2".

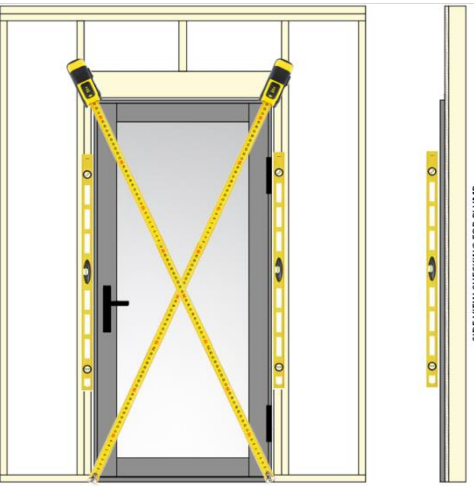
12 SHIM JAMBS



INTERIOR

Place shims at **each hinge location** and at the center of the jamb and head strike plates. Place additional shims a maximum of 12" apart as needed to ensure the door is positioned in the opening level, and square. Do not bow the jambs.

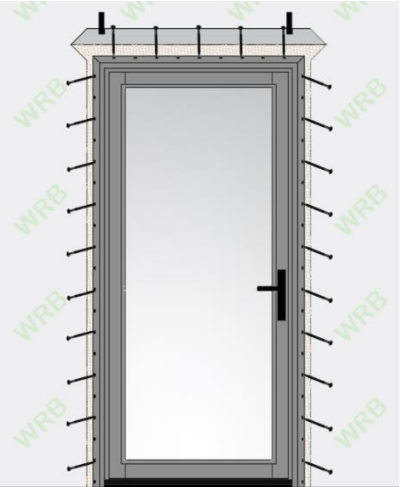
13 VERIFY PLUMB, LEVEL, AND SQUARE



INTERIOR

Check the unit is plumb, level, and square. Diagonal measurements must be within 1/8". Adjust shims as needed.

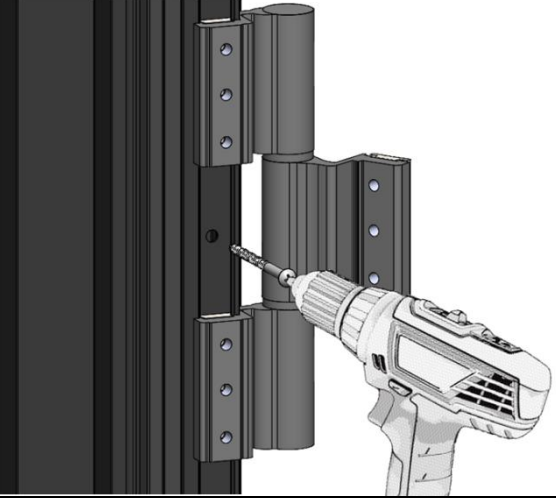
14 SECURE WINDOW



EXTERIOR


When the door is plumb, level, and square, continue fastening through the nailing fin holes. Place fasteners 4" from each corner and spaced every 4" - 8" on center.

15 THROUGH FRAME FASTENERS



For inswing doors only, a through-frame fastener will need to be added at the top hinge location. With the door panel open, locate the predrilled hole between the hinge tabs. Using the provided #10 x 2-1/2" screw, install the screw through the frame and into the wall stud. Make sure to shim at the fastener location.

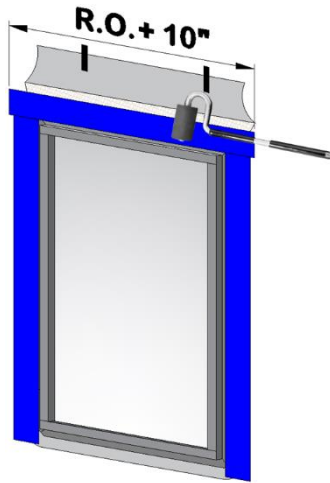
16 FLASHING THE INSTALLATION



EXTERIOR

Cut two lengths of 4" wide flashing tape equal to the rough opening jamb height plus 5 inches. Remove the backing of the tape and apply over the nailing fin and the house wrap keeping centered on the side jamb. Roll smooth with J-roller to remove air pockets and promote adhesion.

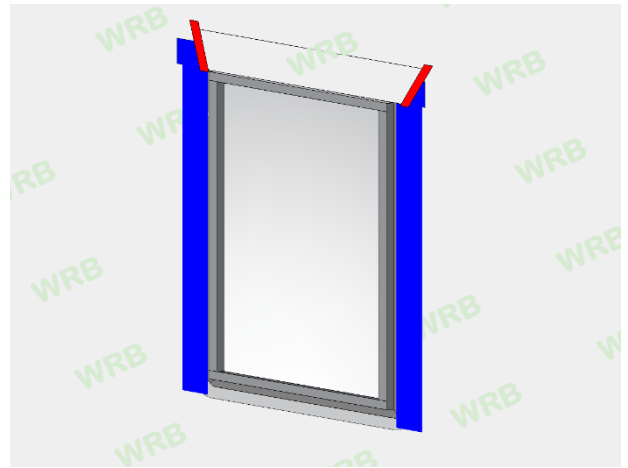
17 FLASHING THE INSTALLATION



EXTERIOR

Cut one piece of 4" wide flashing tape equal to the rough opening width of the window plus 10". Remove the backing of the tape and apply over the head nailing fin extending past the jamb flashing by at least one inch. Roll smooth with J-roller to remove air pockets and promote adhesion.

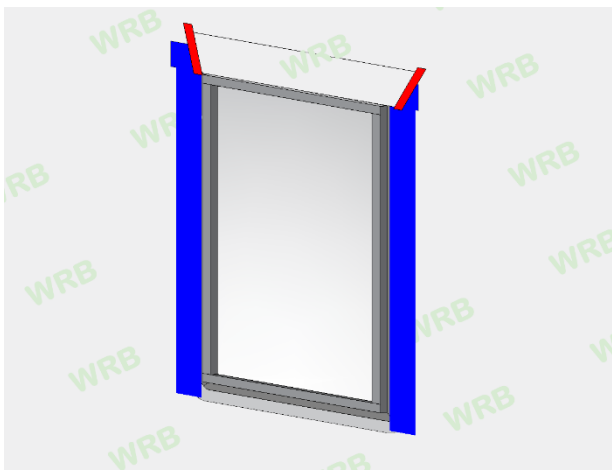
18 FLASHING THE INSTALLATION



EXTERIOR

Replace the flap created during the preparation of the weather-resistant barrier and tape the seams with WRB tape or window flashing tape.

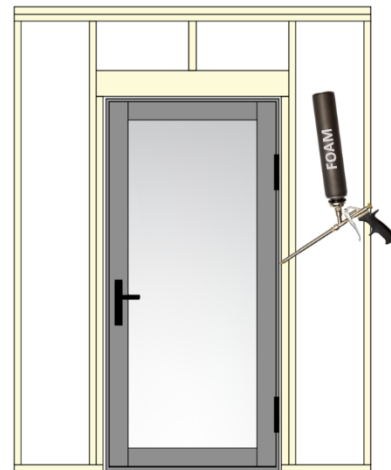
19 FLASHING THE INSTALLATION



EXTERIOR

Replace the flap created during the preparation of the weather-resistant barrier and tape the seams with WRB tape or window flashing tape.

20 INSULATE AND SEALING



INTERIOR

Insulate and seal the gap between the rough opening and the door frame using either loose-fill fiberglass insulation or low-expansion polyurethane foam. If a sill pan is not being used, add a back dam of silicone to the sill rough opening gap and continue up the side 3".

NOTE: Only fill the void half the depth of the jamb with foam to allow for expansion.

21 INSTALLING THE HANDLE SET

Install the construction handle or the finish handle per the instruction included with the handle packaging. If panel does not lock properly, adjust panel using the hinge adjustment instruction in **Step 22**.

22 HINGE ADJUSTMENT

Scan for Hinge Adjustment Video

To make adjustments you will need the following Hex Keys:

- 3mm Hex Key (Set Screws)
- 4mm Hex Key (Horz. / In-out)
- 6mm Hex key (Vertical)

This door is equipped with adjustable hinges. Panel(s) are adjusted from the factory to have even reveals. If the panel(s) need to be adjusted, follow the instruction video by scanning the code above.

CLEANING PRODUCT

Vinyl, aluminum, steel, and fiberglass may be cleaned with mild soap and water. Hard to remove stains and mineral deposits may be removed with mineral spirits. Factory-applied painted surfaces can be cleaned with mild household detergents and water.

- Do NOT clean any surface with gasoline, diesel fuel, solvent-based, or petroleum-based products.
- Do NOT use abrasive materials or strongly acidic solutions against vinyl, aluminum, glass, steel, fiberglass, or factory-applied finishes.
- Do NOT scrape or use tools that might damage the surface.
- Do NOT paint vinyl or aluminum surfaces.
- Do NOT paint or stain the weatherstrip.
- Do NOT use mastic-type tapes such as Duct Tape®.

WARRANTY

For Warranty information please refer to the Weather Shield website or use your phone to scan the QR code.



Warranty