

Shown are typical construction details for single units. These are solely used for the purpose of visualizing a window/door in a wall detail.

#### **Proper Installation System Objectives:**

- Minimize water and air infiltration
- Allow for expansion and contraction around unit
- Attach unit securely to wall

*\*\*The design and structural load requirements of the rough opening are to be determined and met by the architect and/or engineer. Window/Door frame systems are not designed to support additional elements or components of the building wall system.\*\**

#### **General Notes**

- Details reflect various wall systems. Other Weather Shield® products in the same wall construction will reflect similarly.
- Details do not reflect complete installation procedures.
- Refer to the Installation Guides under the Resources tab on [www.weathershield.com](http://www.weathershield.com) for step by step procedures to install properly.
- Weather Shield® sales representatives can assist with other variable applications.

#### **Installation Methods**

Integrated Nailing Fins, Installation Clips and Frame Screws are the most common methods for installing Weather Shield Windows and Doors.

- Integrated Nailing Fins: applicable in most situations where the window/door can be installed from the exterior of the house to the sheathing. Primarily used on wood, vinyl, stucco (new construction) and brick veneer (new construction) exteriors.
- Installation Clips: applicable in situations where the window/door needs to be installed and fastened in the interior. Primarily used on reconstruction.

#### **Important Installation Procedures**

- Unit must be shimmed in the opening, true, plum, level and square. Shim windows a minimum of 1/4" above sill plate to provide proper clearance.
- Shims are required to keep frames straight.
- When insulating around the unit, use batt insulation or window and door installation foam. Do not use high compressive foam.

**IMPORTANT!** Details are shown with minimal spacing between items for clarity of illustration. Actual assembly details may vary.

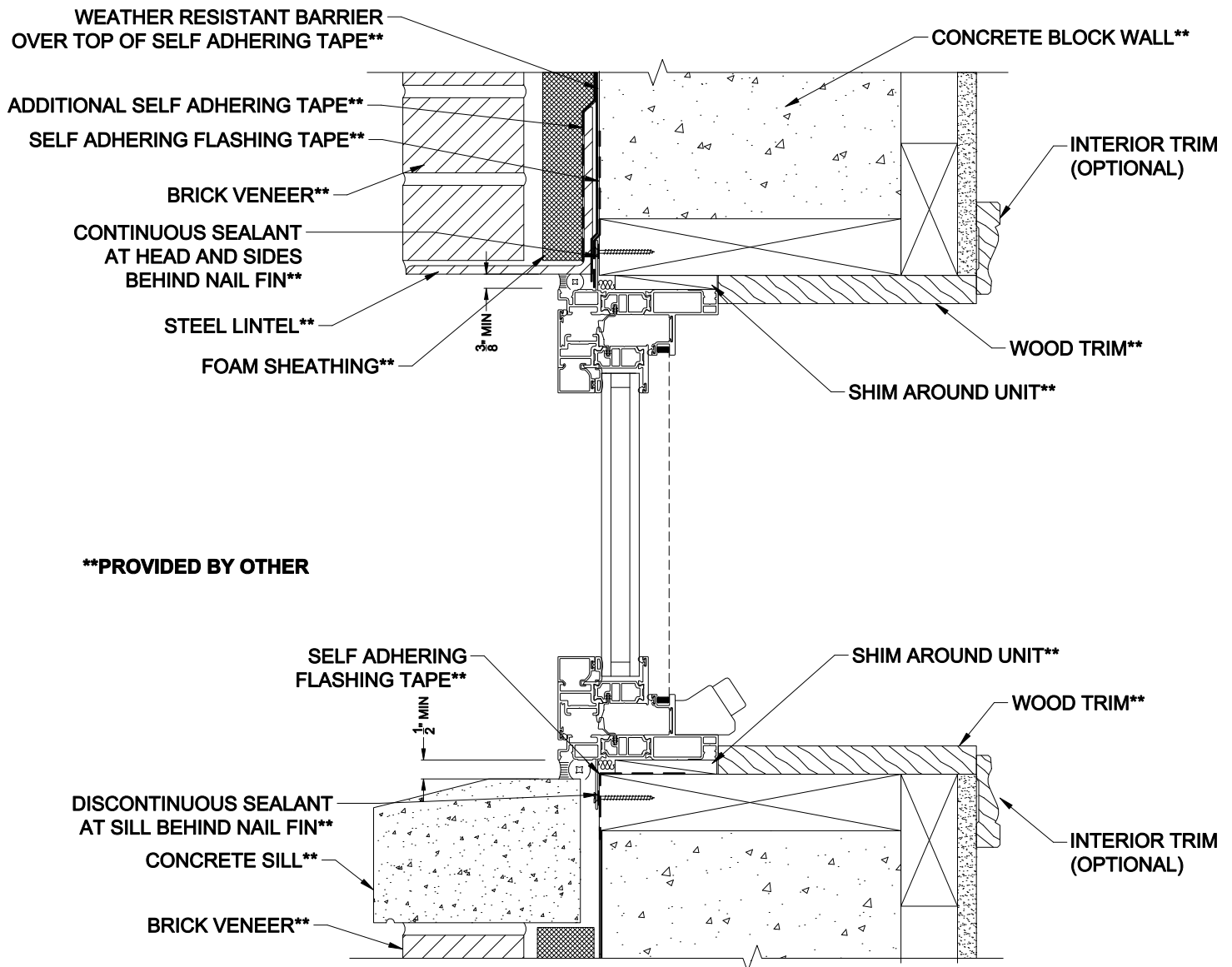
# Weather Shield™

VUE Collection™

## Casement Windows

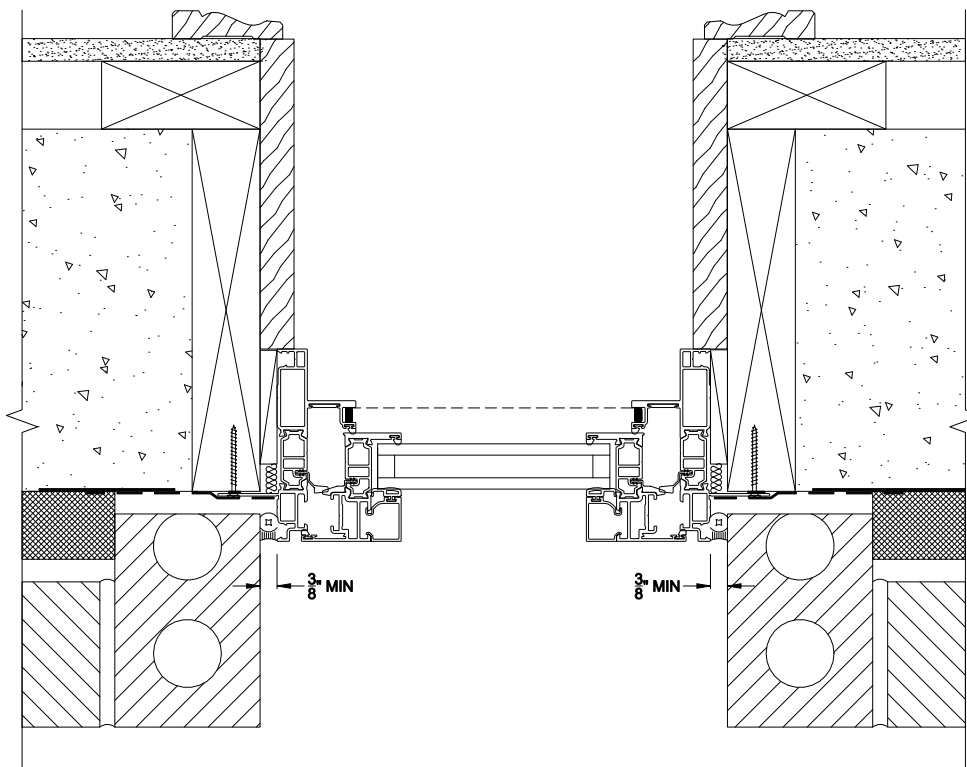
BRICK VENEER INSTALLATION DETAILS

### Brick Veneer Exterior - Concrete Block - Wood Trim



Note: All dimensions are approximate. Weather Shield reserves the right to change specifications without notice.

### Brick Veneer Exterior - Concrete Block - Wood Trim



Note: All dimensions are approximate. Weather Shield reserves the right to change specifications without notice.

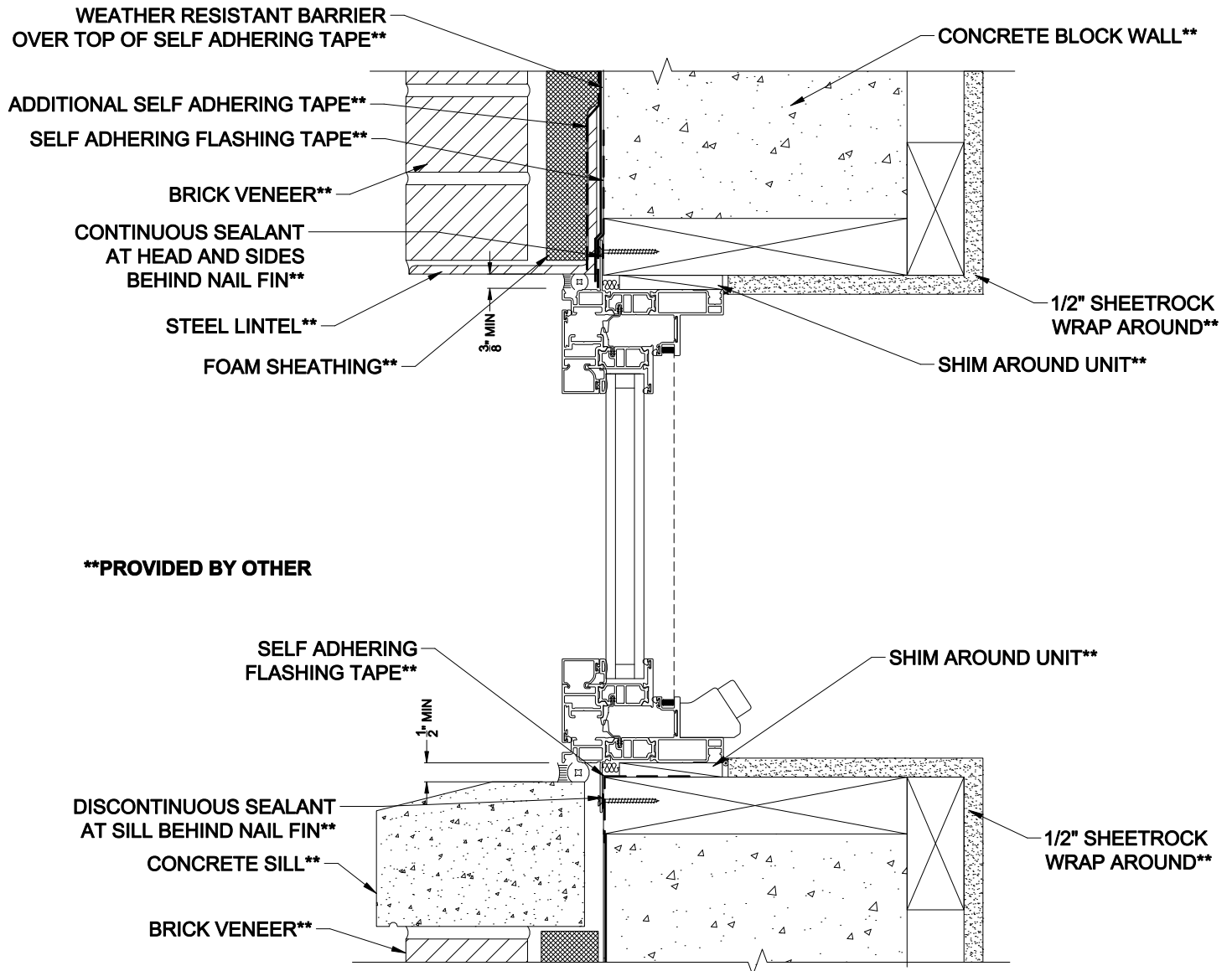
# Weather Shield™

VUE Collection™

## Casement Windows

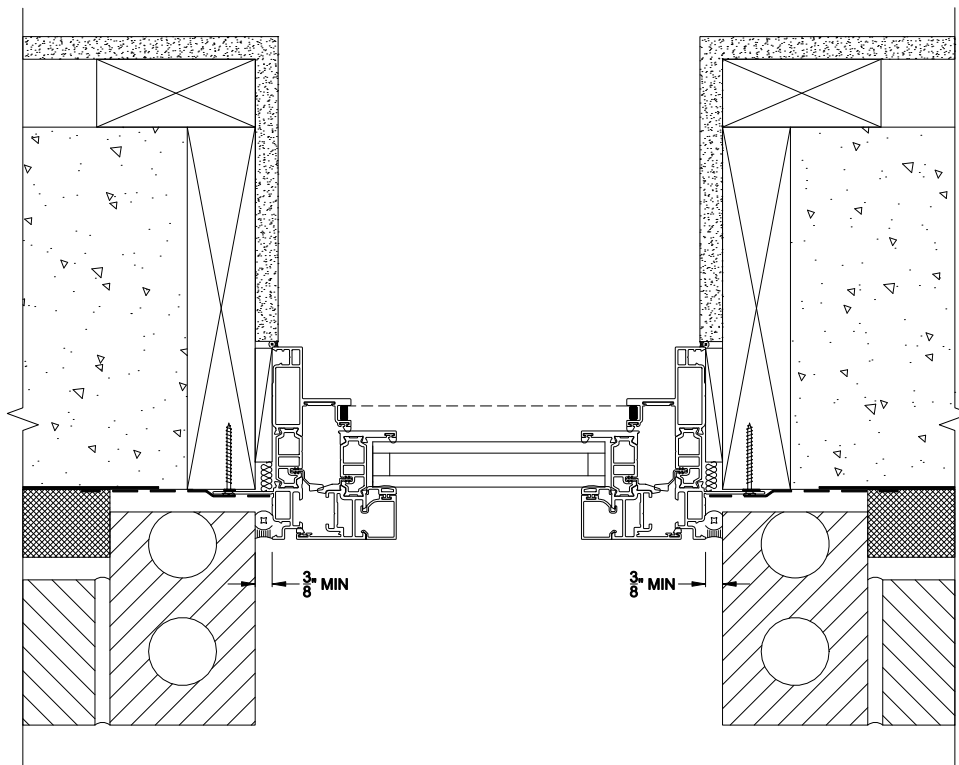
BRICK VENEER INSTALLATION DETAILS

### Brick Veneer Exterior - Concrete Block - Drywall Return



Note: All dimensions are approximate. Weather Shield reserves the right to change specifications without notice.

### Brick Veneer Exterior - Concrete Block - Drywall Return



Note: All dimensions are approximate. Weather Shield reserves the right to change specifications without notice.