

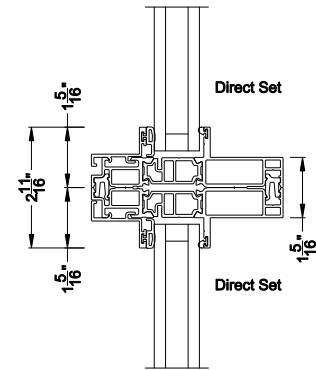
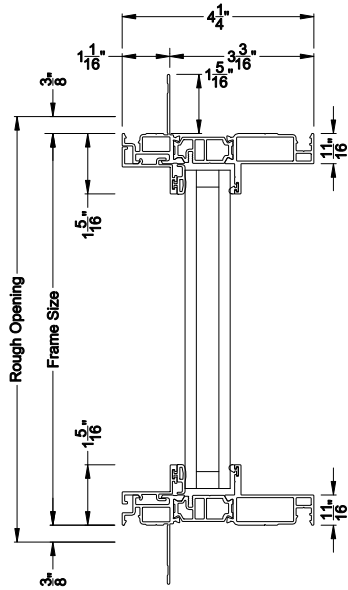
# Weather Shield®

## VUE Collection™

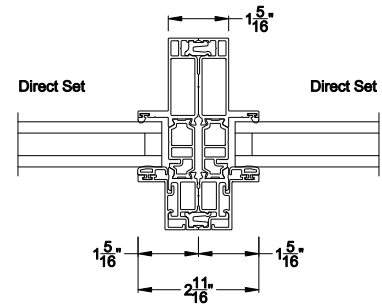
# Direct Set Windows

## CROSS SECTION DETAILS

**VUE COLLECTION DIRECT SET WINDOW (4301)**  
Vertical Sections - Narrow Bead

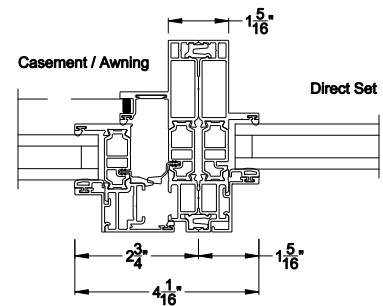
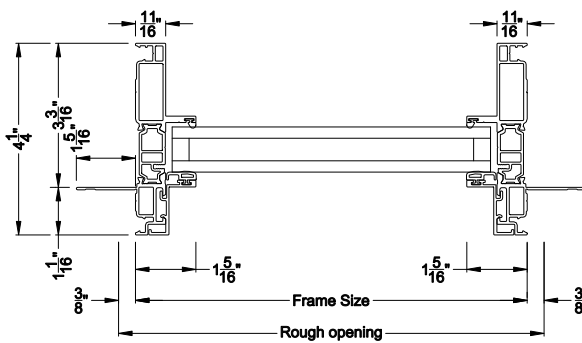


**Mull / Stack Modular Stack Section**  
Direct Mull



**Mull / Stack Modular Mull Section**  
Direct Mull

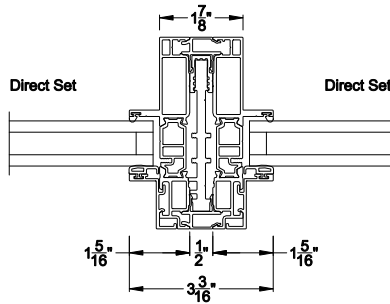
**VUE COLLECTION DIRECT SET WINDOW (4301)**  
Horizontal Sections - Narrow Bead



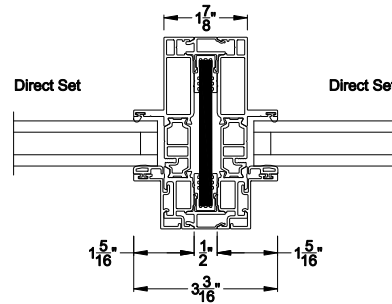
**Mull / Stack Modular Mull Section**  
Direct Mull

Note: All dimensions are approximate. Weather Shield reserves the right to change specifications without notice.

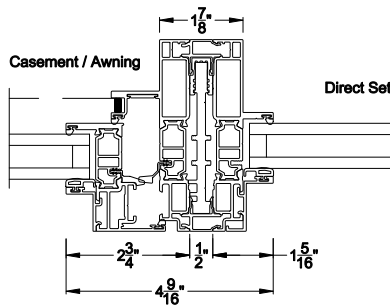
**VUE COLLECTION DIRECT SET WINDOW**  
 Modular Reinforced Mullion Sections - Narrow Bead



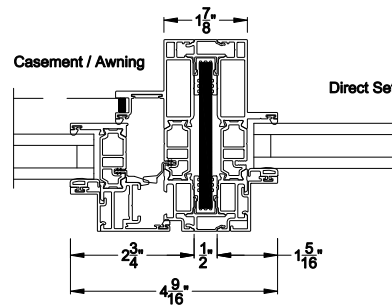
**Mull / Stack Modular Mull Section**  
 1/2" Aluminum Reinforcement



**Mull / Stack Modular Mull Section**  
 1/2" Steel Reinforcement



**Mull / Stack Modular Mull Section**  
 1/2" Aluminum Reinforcement



**Mull / Stack Modular Mull Section**  
 1/2" Steel Reinforcement

Note: All dimensions are approximate. Weather Shield reserves the right to change specifications without notice.