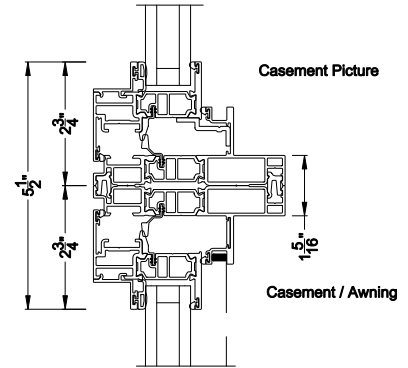
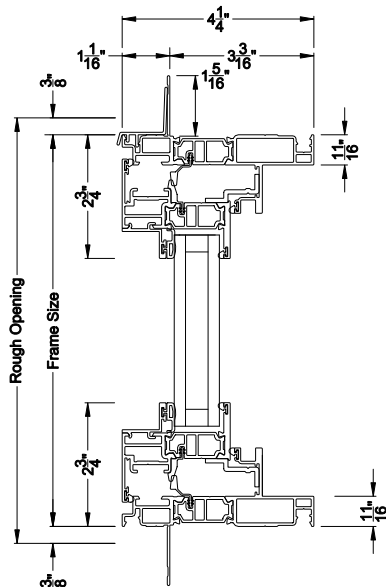
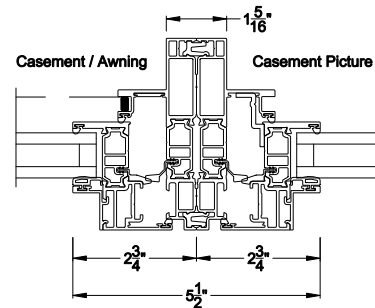


### VUE COLLECTION CASEMENT PICTURE WINDOW (4201)

Vertical Sections - Narrow Bead



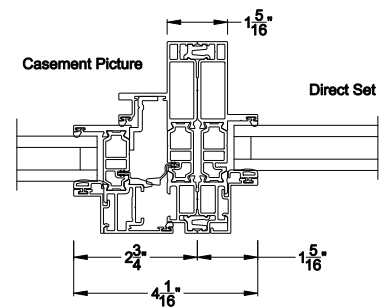
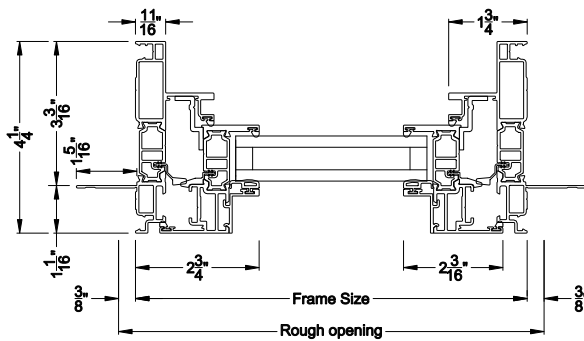
Mull / Stack Modular Stack Section  
Direct Mull



Mull / Stack Modular Mull Section  
Direct Mull

### VUE COLLECTION CASEMENT PICTURE WINDOW (4201)

Horizontal Sections - Narrow Bead

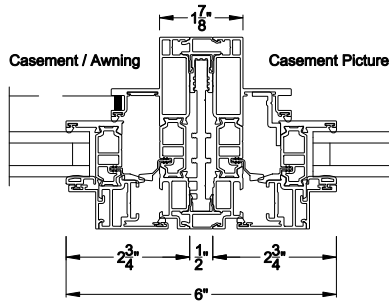


Mull / Stack Modular Mull Section  
Direct Mull

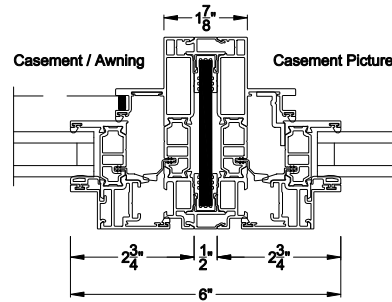
Note: All dimensions are approximate. Weather Shield reserves the right to change specifications without notice.

### VUE COLLECTION CASEMENT PICTURE WINDOW

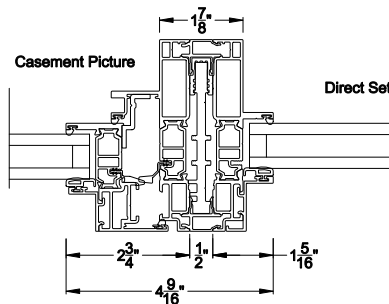
Modular Reinforced Mullion Sections - Narrow Bead



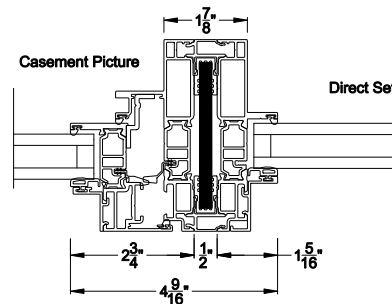
Mull / Stack Modular Mull Section  
1/2" Aluminum Reinforcement



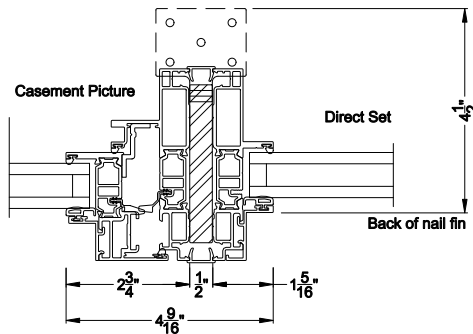
Mull / Stack Modular Mull Section  
1/2" Steel Reinforcement



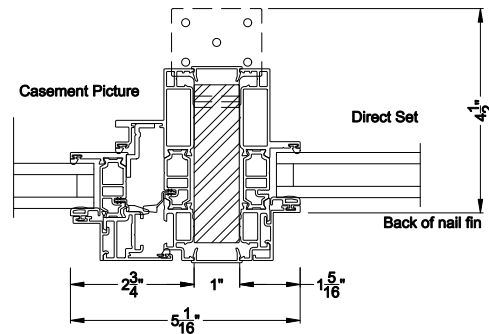
Mull / Stack Modular Mull Section  
1/2" Aluminum Reinforcement



Mull / Stack Modular Mull Section  
1/2" Steel Reinforcement



Mull / Stack Modular Mull Section  
1/2" Anchored Steel Reinforcement



Mull / Stack Modular Mull Section  
1" Anchored Steel Reinforcement

Note: All dimensions are approximate. Weather Shield reserves the right to change specifications without notice.