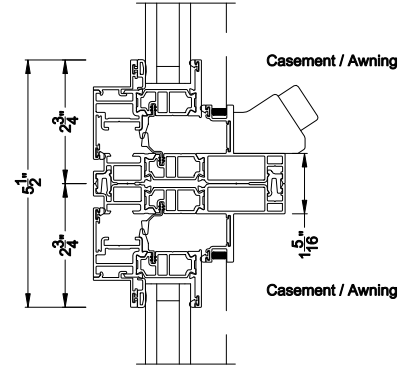
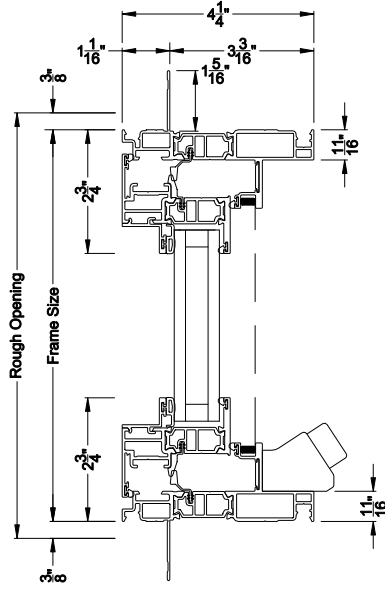


### VUE COLLECTION CASEMENT / AWNING WINDOW (4201)

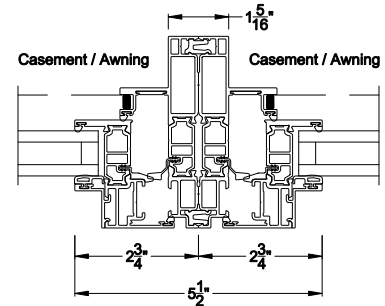
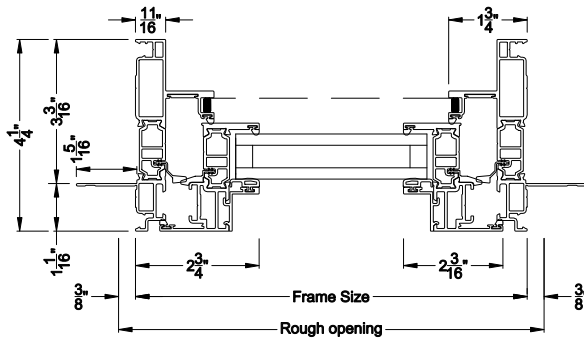
Vertical Sections - Narrow Bead



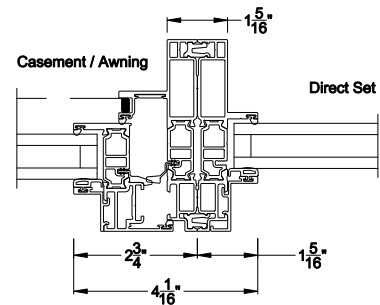
Mull / Stack Modular Stack Section  
Direct Mull

### VUE COLLECTION CASEMENT / AWNING WINDOW (4201)

Horizontal Sections - Narrow Bead



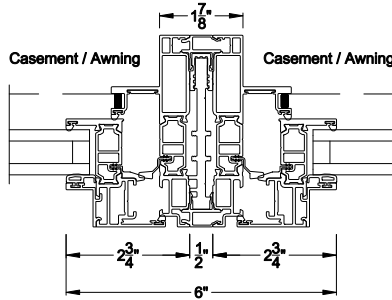
Mull / Stack Modular Mull Section  
Direct Mull



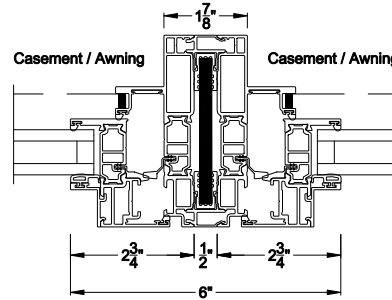
Mull / Stack Modular Mull Section  
Direct Mull

Note: All dimensions are approximate. Weather Shield reserves the right to change specifications without notice.

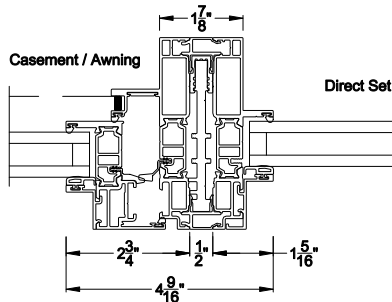
**VUE COLLECTION CASEMENT / AWNING WINDOW**  
 Modular Reinforced Mullion Sections - Narrow Bead



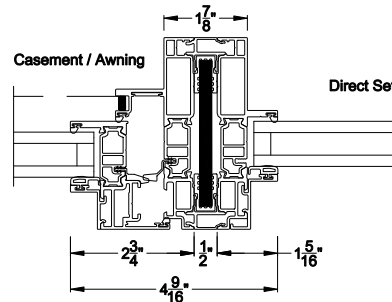
**Mull / Stack Modular Mull Section**  
 1/2" Aluminum Reinforcement



**Mull / Stack Modular Mull Section**  
 1/2" Steel Reinforcement



**Mull / Stack Modular Mull Section**  
 1/2" Aluminum Reinforcement



**Mull / Stack Modular Mull Section**  
 1/2" Steel Reinforcement

Note: All dimensions are approximate. Weather Shield reserves the right to change specifications without notice.