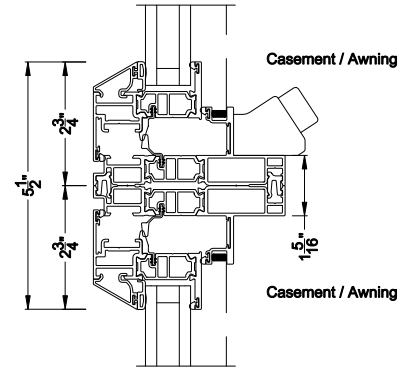
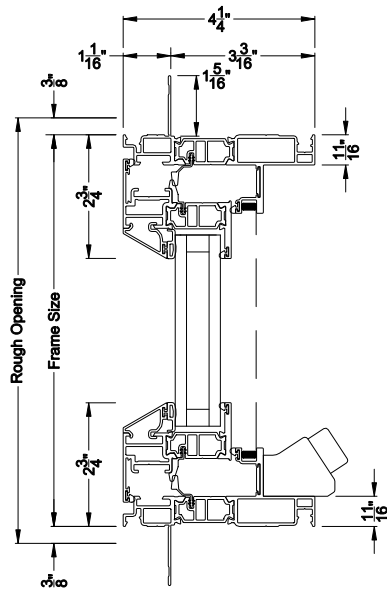
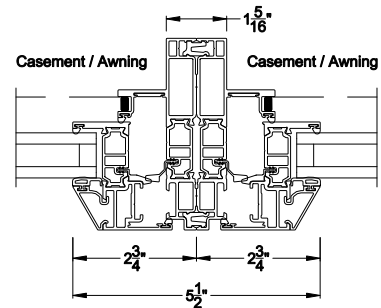


VUE COLLECTION CASEMENT / AWNING WINDOW (4201)

Vertical Sections - Beveled Bead



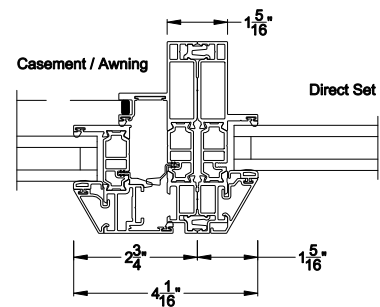
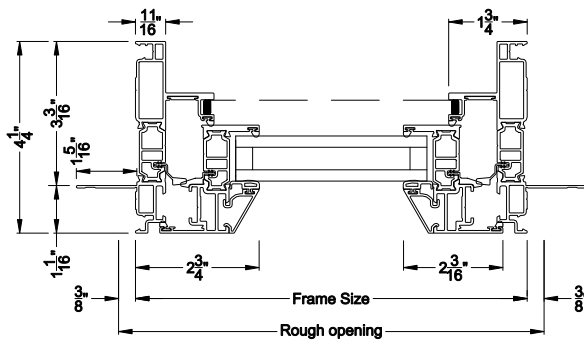
Mull / Stack Modular Stack Section
Direct Mull



Mull / Stack Modular Mull Section
Direct Mull

VUE COLLECTION CASEMENT / AWNING WINDOW (4201)

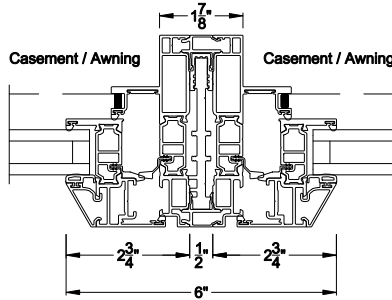
Horizontal Sections - Beveled Bead



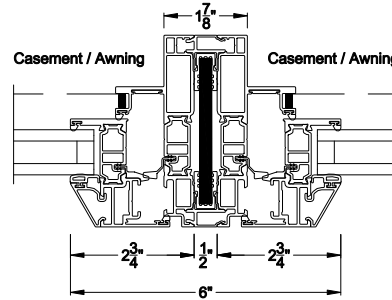
Mull / Stack Modular Mull Section
Direct Mull

Note: All dimensions are approximate. Weather Shield reserves the right to change specifications without notice.

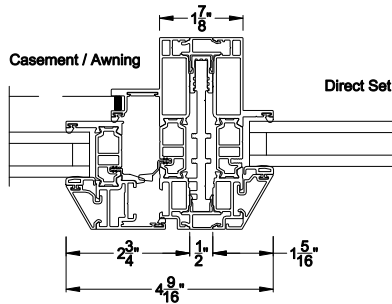
VUE COLLECTION CASEMENT / AWNING WINDOW
 Modular Reinforced Mullion Sections - Beveled Bead



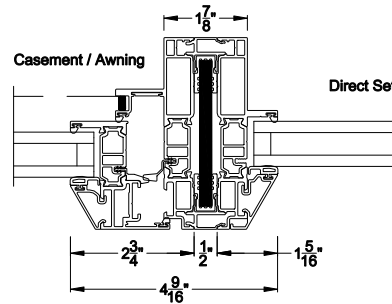
Mull / Stack Modular Mull Section
 1/2" Aluminum Reinforcement



Mull / Stack Modular Mull Section
 1/2" Steel Reinforcement



Mull / Stack Modular Mull Section
 1/2" Aluminum Reinforcement



Mull / Stack Modular Mull Section
 1/2" Steel Reinforcement

Note: All dimensions are approximate. Weather Shield reserves the right to change specifications without notice.