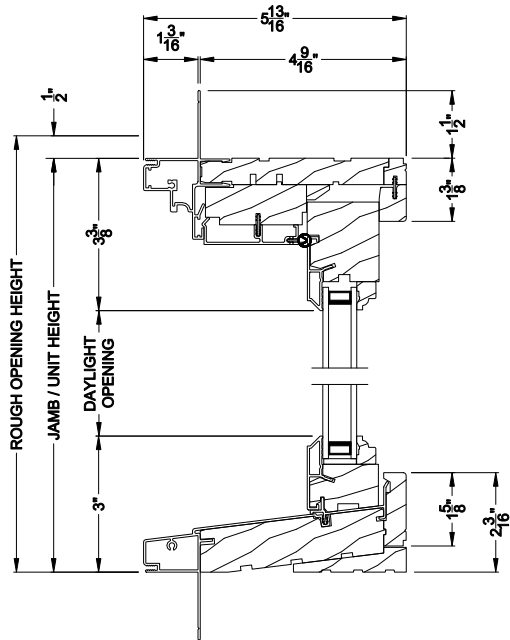


# Weather Shield®

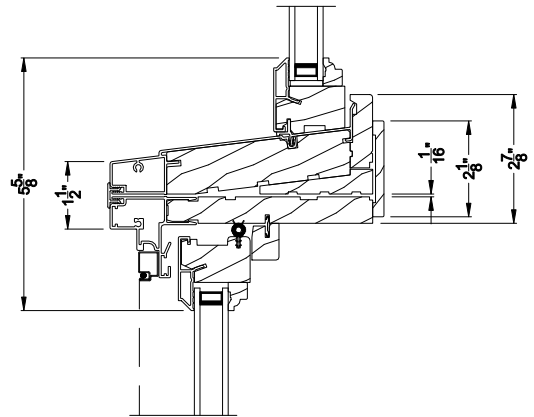
## Signature Series™

# Double Hung Windows

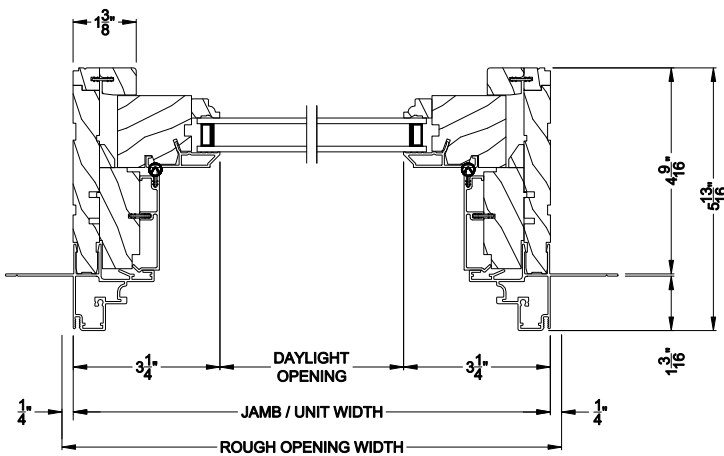
## CROSS SECTION DETAILS



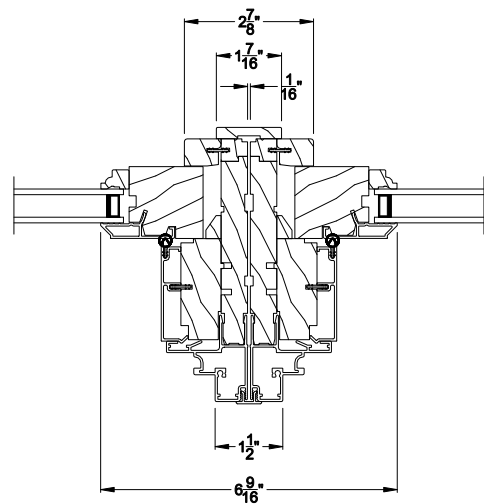
**SIGNATURE DOUBLE HUNG TRANSOM (8117)**  
Vertical Section



**SIGNATURE DOUBLE HUNG WINDOW**  
Horizontal Stack Section - Transom Stack over DH



**SIGNATURE DOUBLE HUNG TRANSOM (8117)**  
Horizontal Section



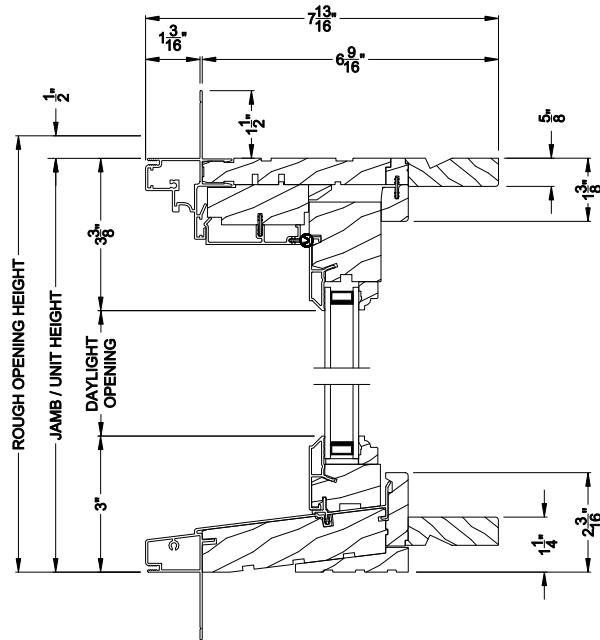
**SIGNATURE DOUBLE HUNG TRANSOM**  
Vertical Mull Section - Picture / Picture

# Weather Shield®

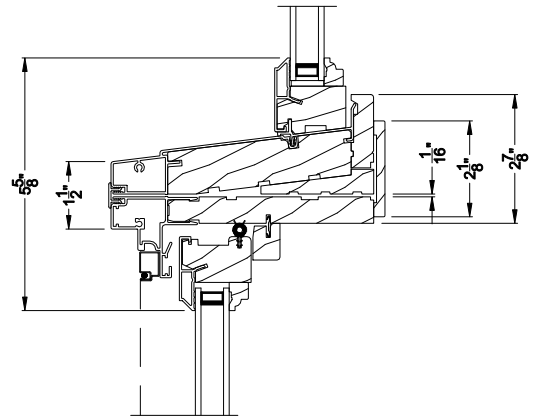
## Signature Series™

# Double Hung Windows

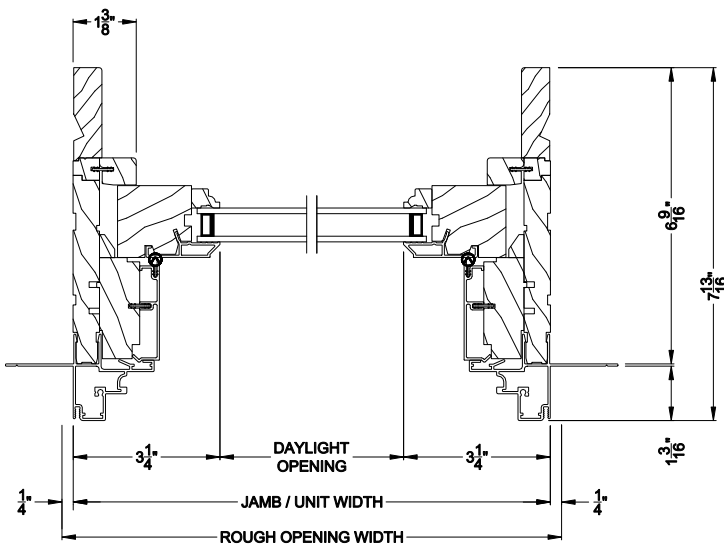
## CROSS SECTION DETAILS



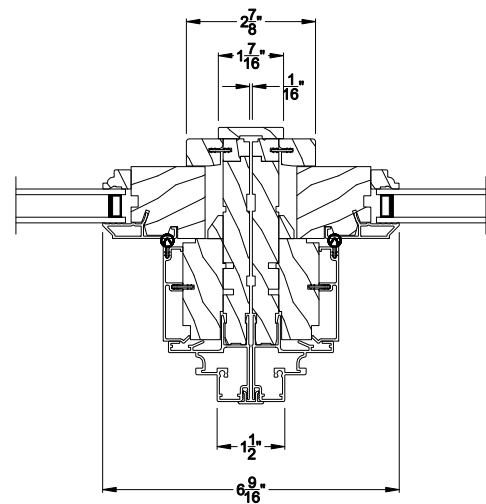
**SIGNATURE DOUBLE HUNG TRANSOM (8117)**  
Vertical Section - 6-9/16" jamb



**SIGNATURE DOUBLE HUNG WINDOW**  
Horizontal Stack Section - Transom Stack over DH



**SIGNATURE DOUBLE HUNG TRANSOM (8117)**  
Horizontal Section - 6-9/16" jamb



**SIGNATURE DOUBLE HUNG TRANSOM**  
Vertical Mull Section - Picture / Picture