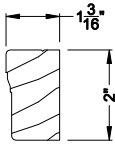
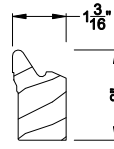
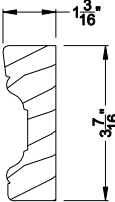
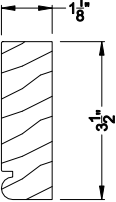
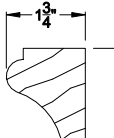
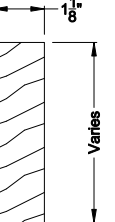
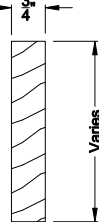
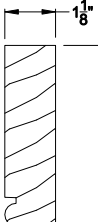
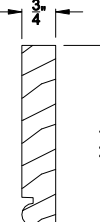
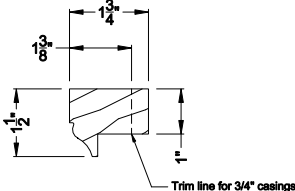
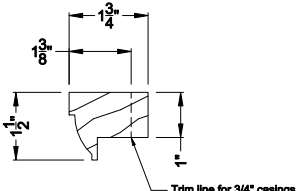
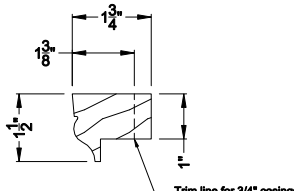
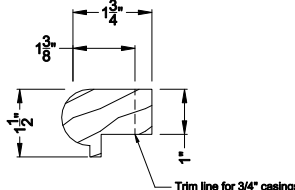
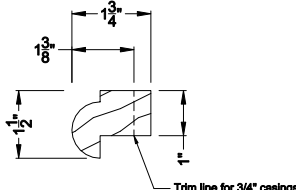
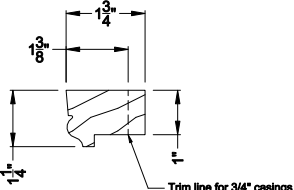


Weather Shield®

Premium Wood Series™

Exterior Trim

CROSS SECTION DETAILS

		
Brickmould	Stucco Mould	Washington K style
		
Franklin Casing	Staff Bead	1-1/8" Flat Casing
		
3/4" Flat Casing	1-1/8" Beaded Casing	3/4" Beaded Casing
		
Back Band #9526	Back Band #9528	Back Band #9529
		
Back Band #9530	Back Band #9531	Back Band #9532

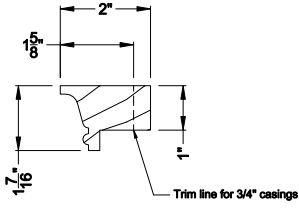
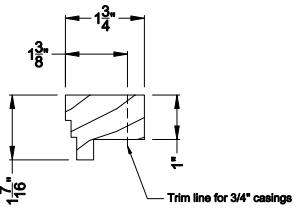
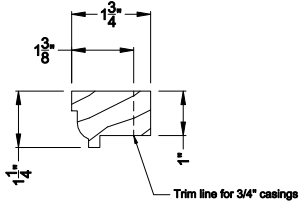
Note: All dimensions are approximate. Weather Shield reserves the right to change specifications without notice.

Weather Shield®

Premium Wood Series™

Exterior Trim

CROSS SECTION DETAILS

		
Back Band #9533	Back Band #9534	Back Band #9535

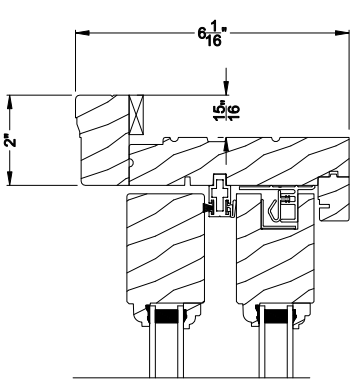
Note: All dimensions are approximate. Weather Shield reserves the right to change specifications without notice.

Weather Shield®

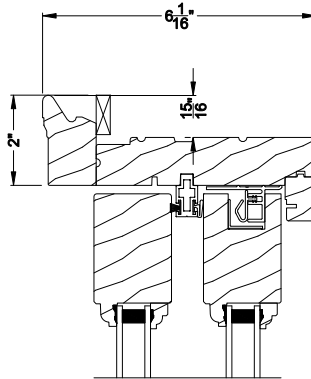
Premium Wood Series™

Trim Applications Exterior

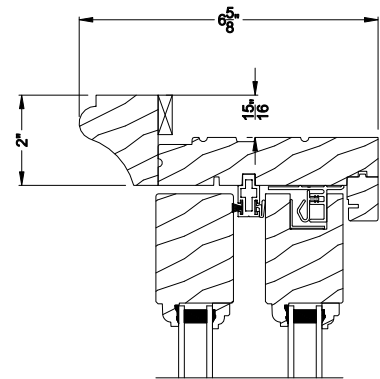
CROSS SECTION DETAILS



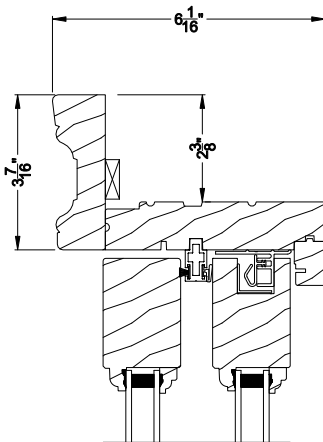
BRICKMOULD
Head Section Detail



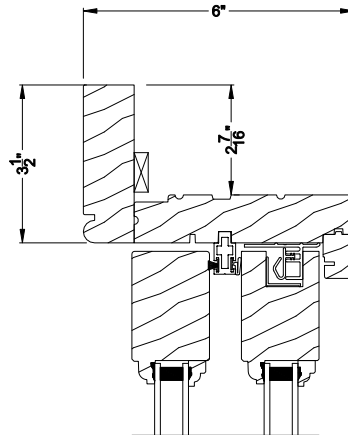
STUCCO MOULD
Head Section Detail



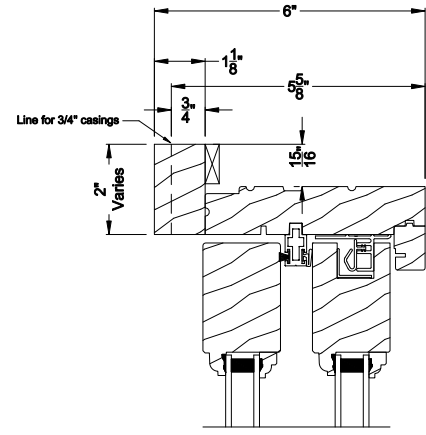
STAFF BEAD
Head Section Detail



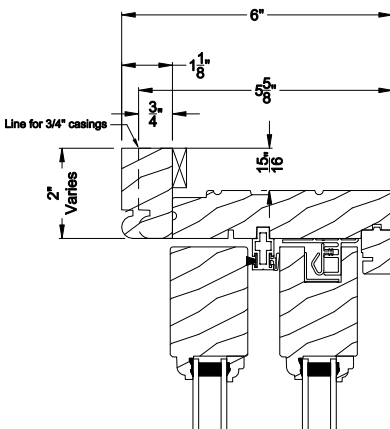
WASHINGTON K STYLE
Head Section Detail



FRANKLIN CASING
Head Section Detail



1-1/8" & 3/4" FLAT CASING
Head Section Detail



1-1/8" & 3/4" BEADED CASING
Head Section Detail

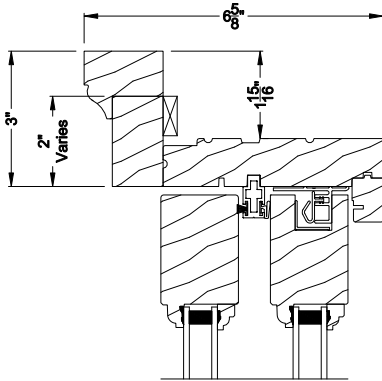
Note: All dimensions are approximate. Weather Shield reserves the right to change specifications without notice.

Weather Shield®

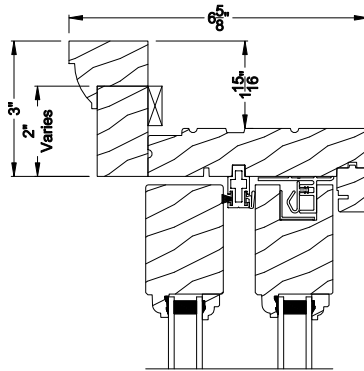
Premium Wood Series™

Trim Applications Exterior

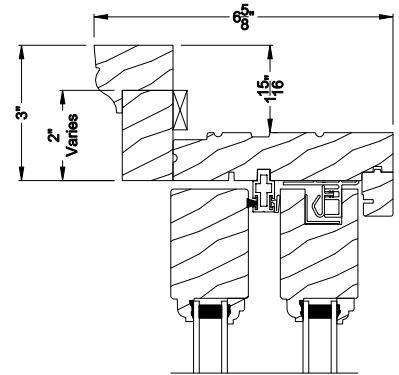
CROSS SECTION DETAILS



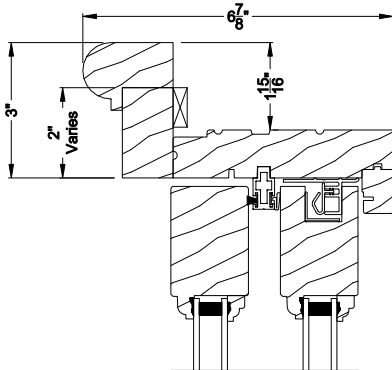
**1-1/8" FLAT CASING
w/ BACK BAND #9526**
Head Section Detail



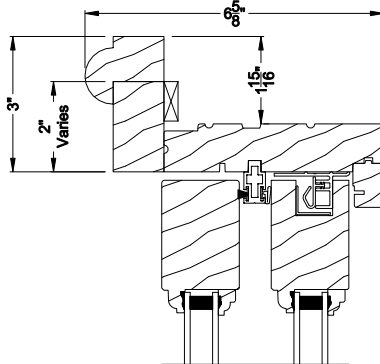
**1-1/8" FLAT CASING
w/ BACK BAND #9528**
Head Section Detail



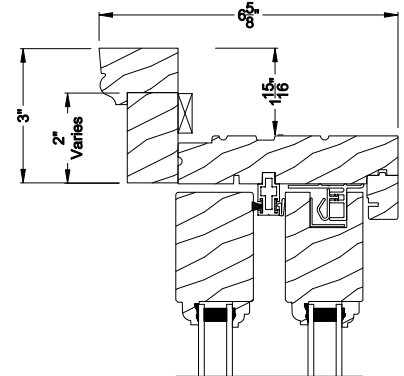
**1-1/8" FLAT CASING
w/ BACK BAND #9529**
Head Section Detail



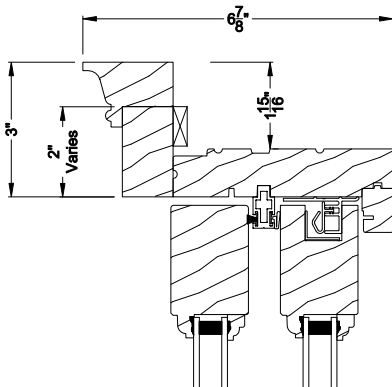
**1-1/8" FLAT CASING
w/ BACK BAND #9530**
Head Section Detail



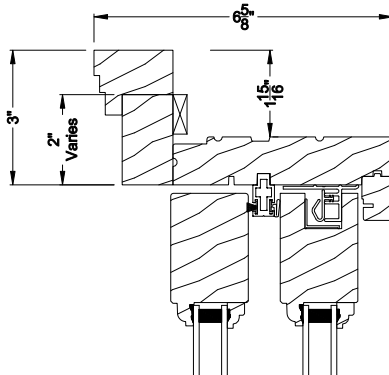
**1-1/8" FLAT CASING
w/ BACK BAND #9531**
Head Section Detail



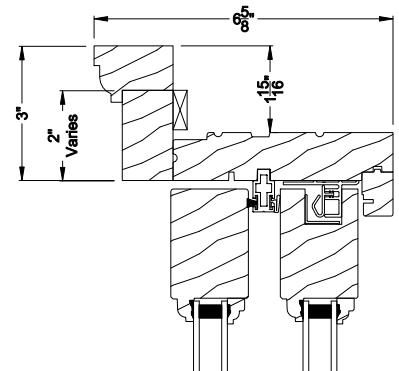
**1-1/8" FLAT CASING
w/ BACK BAND #9532**
Head Section Detail



**1-1/8" FLAT CASING
w/ BACK BAND #9533**
Head Section Detail



**1-1/8" FLAT CASING
w/ BACK BAND #9534**
Head Section Detail



**1-1/8" FLAT CASING
w/ BACK BAND #9535**
Head Section Detail

** Casing Height for Standard Units ranges between 2" to 6"

*** Casing Height for Radius Units ranges between 2" to 4"

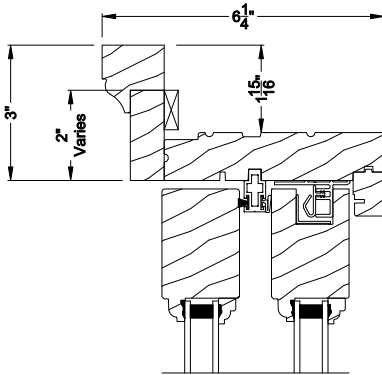
Note: All dimensions are approximate. Weather Shield reserves the right to change specifications without notice.

Weather Shield®

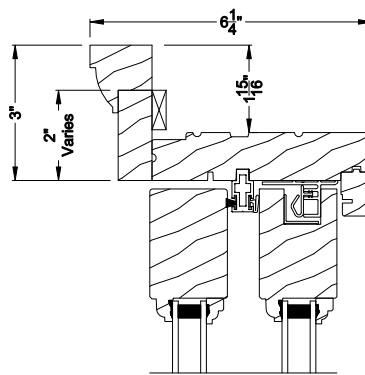
Premium Wood Series™

Trim Applications Exterior

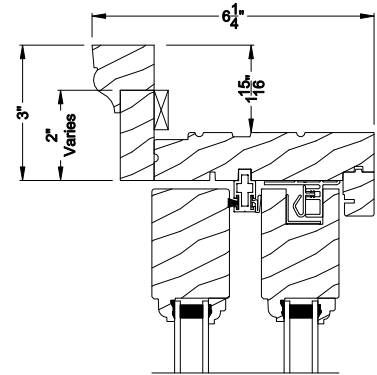
CROSS SECTION DETAILS



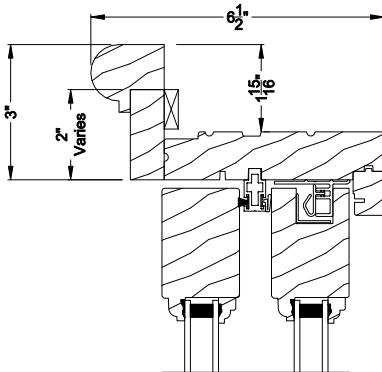
**3/4" FLAT CASING
w/ BACK BAND #9526**
Head Section Detail



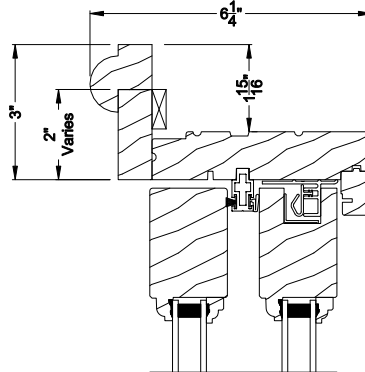
**3/4" FLAT CASING
w/ BACK BAND #9528**
Head Section Detail



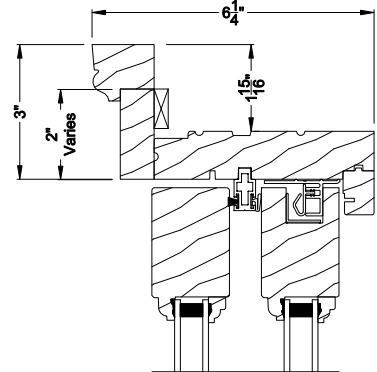
**3/4" FLAT CASING
w/ BACK BAND #9529**
Head Section Detail



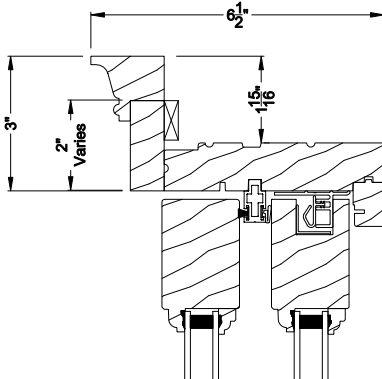
**3/4" FLAT CASING
w/ BACK BAND #9530**
Head Section Detail



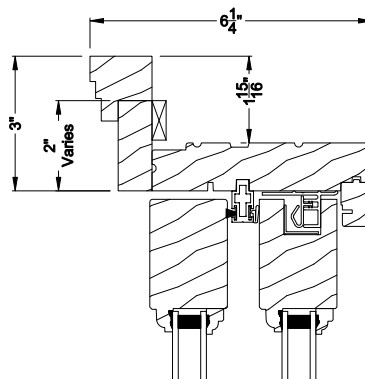
**3/4" FLAT CASING
w/ BACK BAND #9531**
Head Section Detail



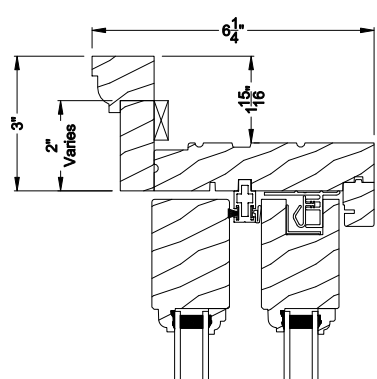
**3/4" FLAT CASING
w/ BACK BAND #9532**
Head Section Detail



**3/4" FLAT CASING
w/ BACK BAND #9533**
Head Section Detail



**3/4" FLAT CASING
w/ BACK BAND #9534**
Head Section Detail



**3/4" FLAT CASING
w/ BACK BAND #9535**
Head Section Detail

** Casing Height for Standard Units ranges between 2" to 6"

*** Casing Height for Radius Units ranges between 2" to 4"

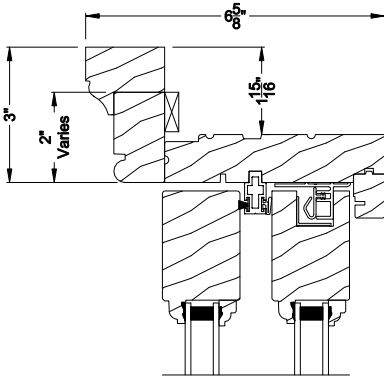
Note: All dimensions are approximate. Weather Shield reserves the right to change specifications without notice.

Weather Shield®

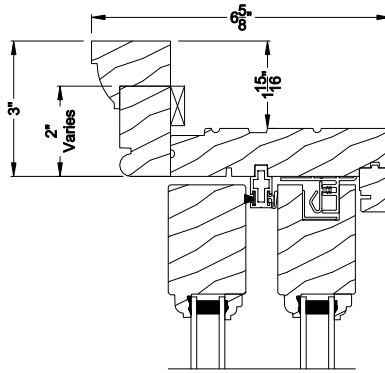
Premium Wood Series™

Trim Applications Exterior

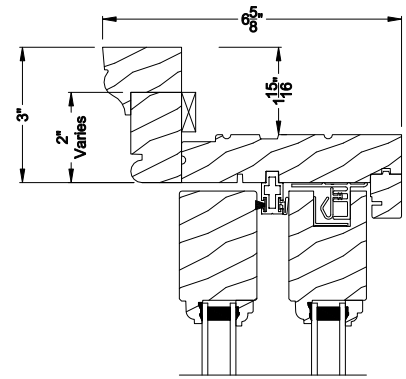
CROSS SECTION DETAILS



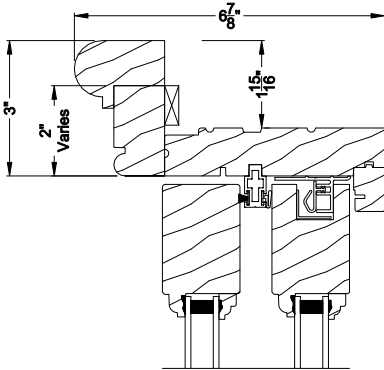
**1-1/8" BEADED CASING
w/ BACK BAND #9526**
Head Section Detail



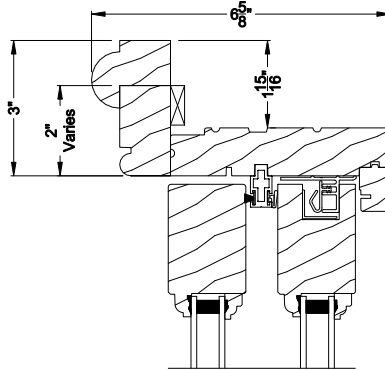
**1-1/8" BEADED CASING
w/ BACK BAND #9528**
Head Section Detail



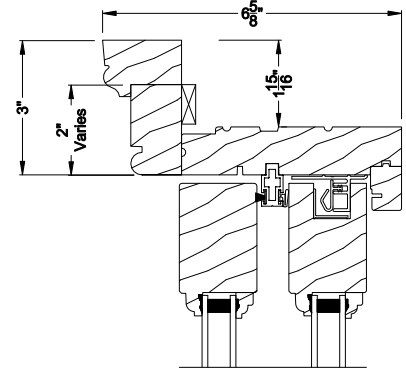
**1-1/8" BEADED CASING
w/ BACK BAND #9529**
Head Section Detail



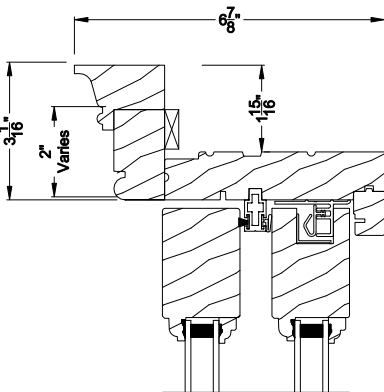
**1-1/8" BEADED CASING
w/ BACK BAND #9530**
Head Section Detail



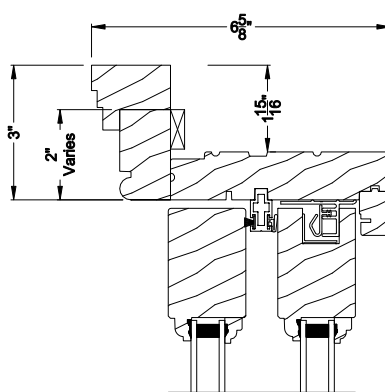
**1-1/8" BEADED CASING
w/ BACK BAND #9531**
Head Section Detail



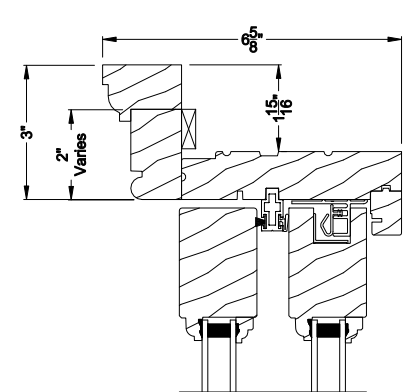
**1-1/8" BEADED CASING
w/ BACK BAND #9532**
Head Section Detail



**1-1/8" BEADED CASING
w/ BACK BAND #9533**
Head Section Detail



**1-1/8" BEADED CASING
w/ BACK BAND #9534**
Head Section Detail



**1-1/8" BEADED CASING
w/ BACK BAND #9535**
Head Section Detail

** Casing Height for Standard Units ranges between 2" to 6"

*** Casing Height for Radius Units ranges between 2" to 4"

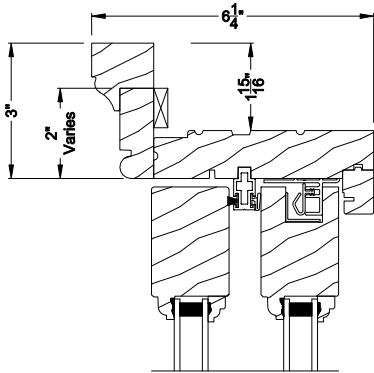
Note: All dimensions are approximate. Weather Shield reserves the right to change specifications without notice.

Weather Shield®

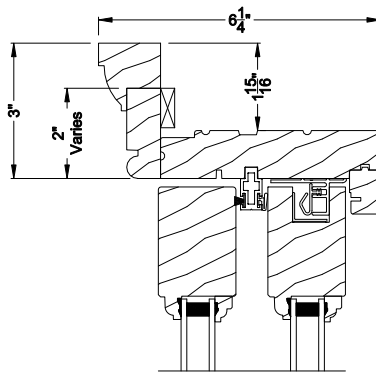
Premium Wood Series™

Trim Applications Exterior

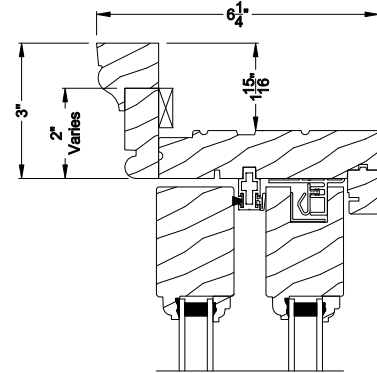
CROSS SECTION DETAILS



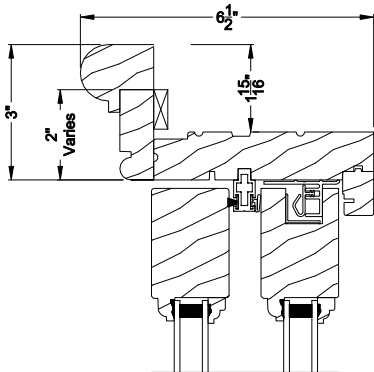
**3/4" BEADED CASING
w/ BACK BAND #9526**
Head Section Detail



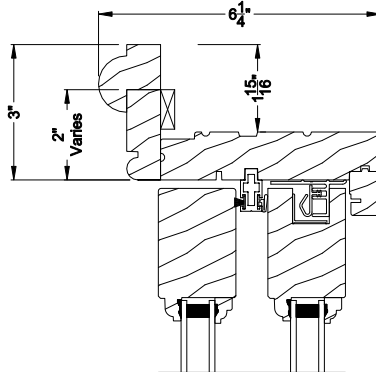
**3/4" BEADED CASING
w/ BACK BAND #9528**
Head Section Detail



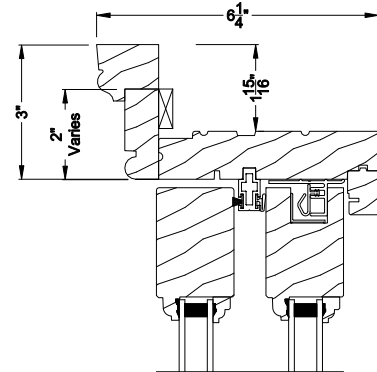
**3/4" BEADED CASING
w/ BACK BAND #9529**
Head Section Detail



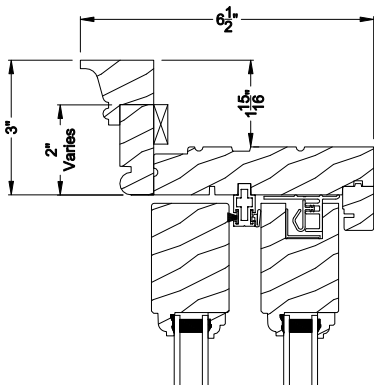
**3/4" BEADED CASING
w/ BACK BAND #9530**
Head Section Detail



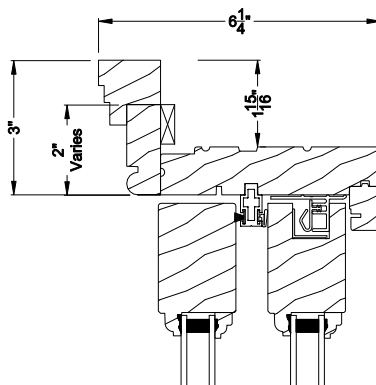
**3/4" BEADED CASING
w/ BACK BAND #9531**
Head Section Detail



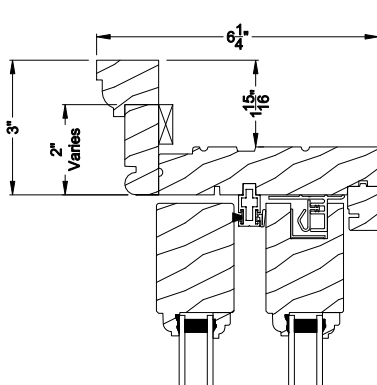
**3/4" BEADED CASING
w/ BACK BAND #9532**
Head Section Detail



**3/4" BEADED CASING
w/ BACK BAND #9533**
Head Section Detail



**3/4" BEADED CASING
w/ BACK BAND #9534**
Head Section Detail



**3/4" BEADED CASING
w/ BACK BAND #9535**
Head Section Detail

** Casing Height for Standard Units ranges between 2" to 6"

*** Casing Height for Radius Units ranges between 2" to 4"

Note: All dimensions are approximate. Weather Shield reserves the right to change specifications without notice.