

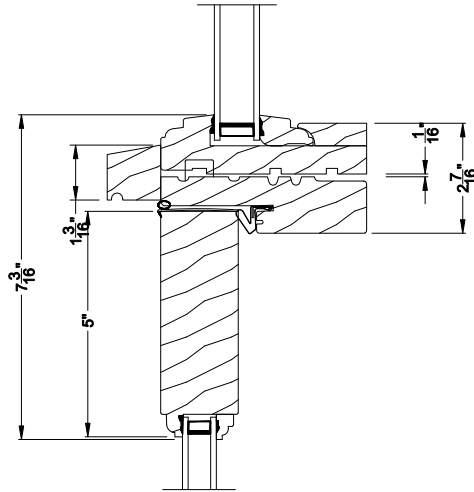
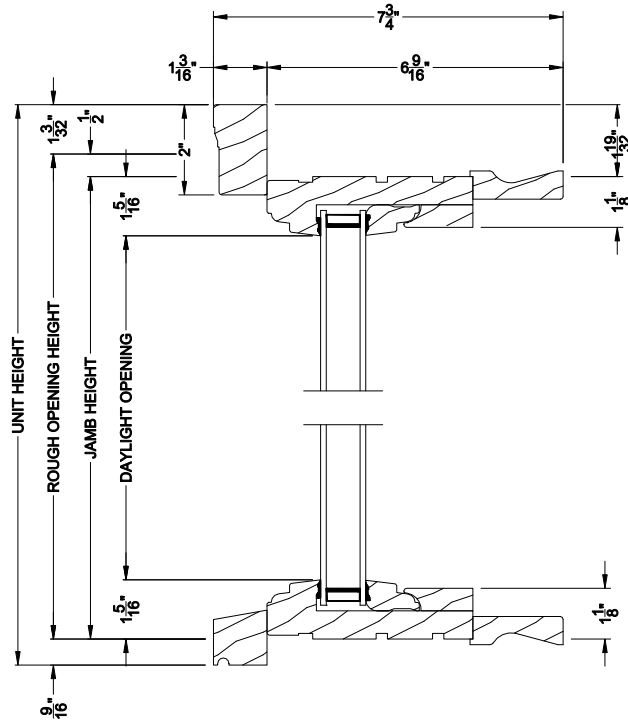


# Weather Shield®

## Premium Wood Series™

# Hinged Door Transom

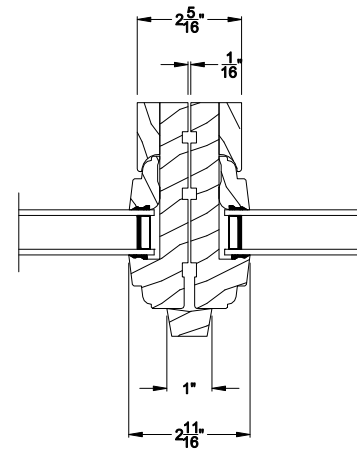
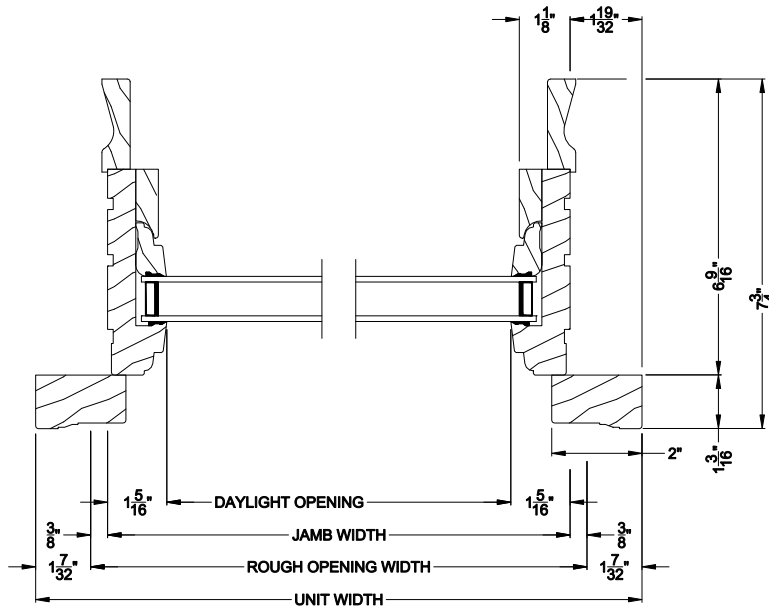
## CROSS SECTION DETAILS



**PREMIUM WOOD OUTSWING DOOR TRANSOM**  
Horizontal Stack Section

### PREMIUM WOOD OUTSWING DOOR TRANSOM (630)

Vertical Section - 6 9/16" jamb



**PREMIUM WOOD OUTSWING DOOR TRANSOM**  
Vertical Mull Section

### PREMIUM WOOD OUTSWING DOOR TRANSOM (630)

Horizontal Section - 6 9/16" jamb

Note: All dimensions are approximate. Weather Shield reserves the right to change specifications without notice.