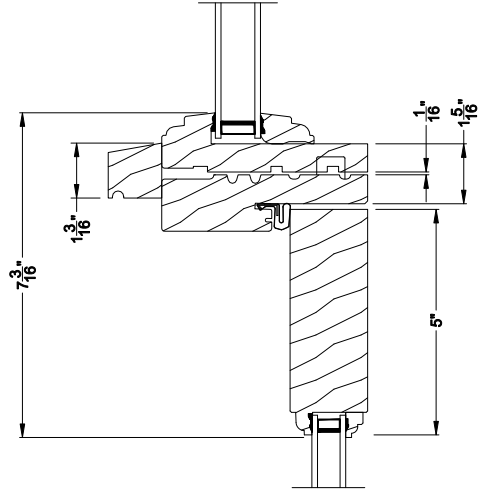
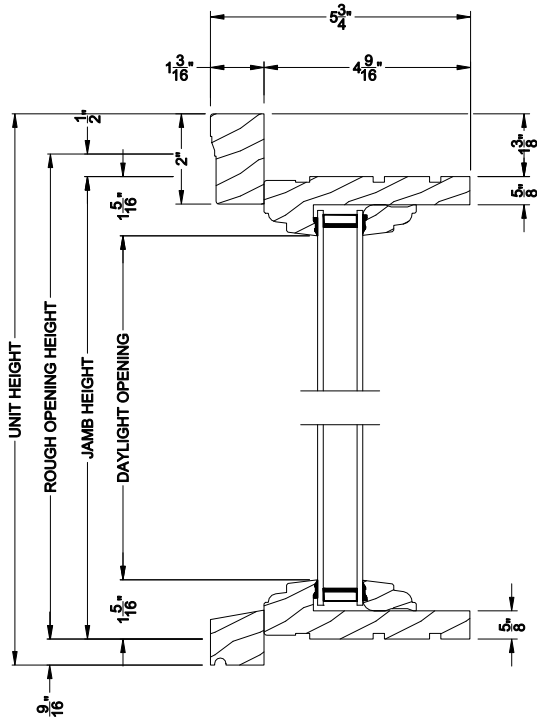


# Weather Shield®

## Premium Wood Series™

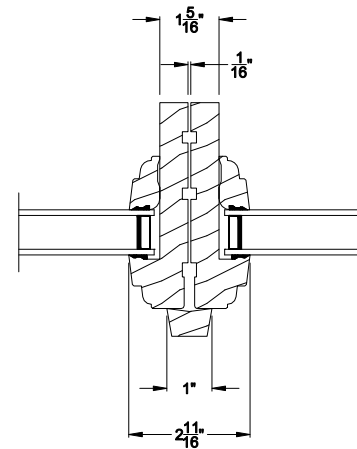
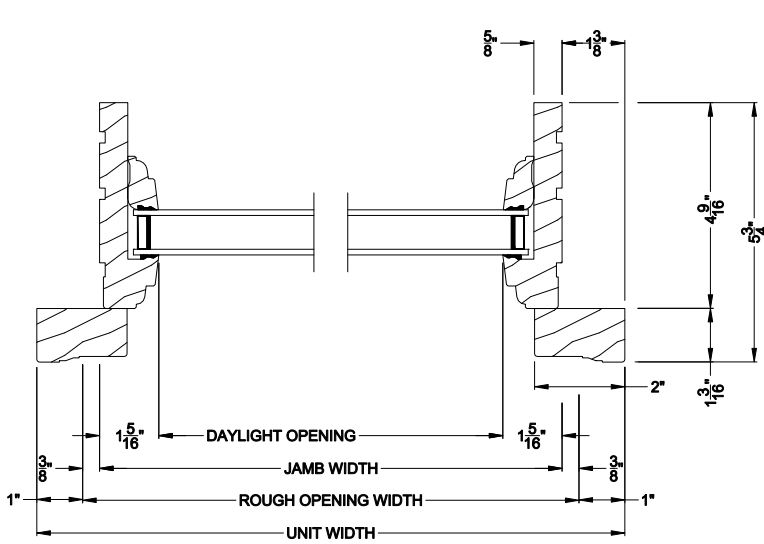
# Hinged Door Transom

## CROSS SECTION DETAILS



**PREMIUM WOOD INSWING DOOR TRANSOM**  
Horizontal Stack Section

**PREMIUM WOOD INSWING DOOR TRANSOM (630)**  
Vertical Section



**PREMIUM WOOD INSWING DOOR TRANSOM**  
Vertical Mull Section

**PREMIUM WOOD INSWING DOOR TRANSOM (630)**  
Horizontal Section

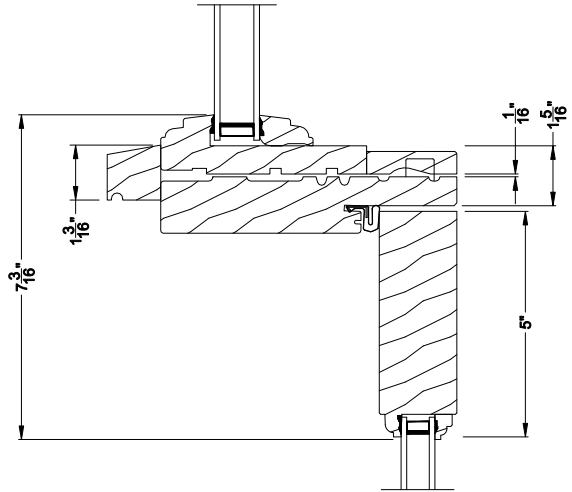
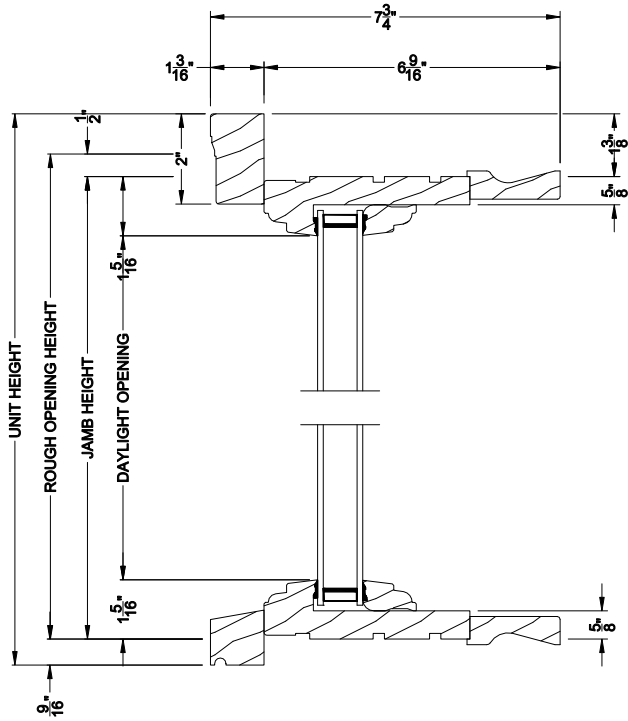
Note: All dimensions are approximate. Weather Shield reserves the right to change specifications without notice.

# Weather Shield®

## Premium Wood Series™

# Hinged Door Transom

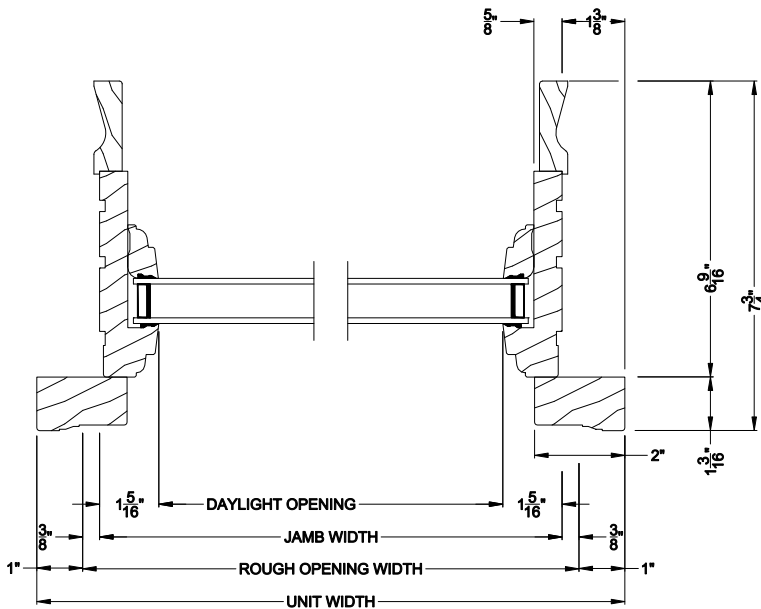
## CROSS SECTION DETAILS



**PREMIUM WOOD INSWING DOOR TRANSOM**  
Horizontal Stack Section

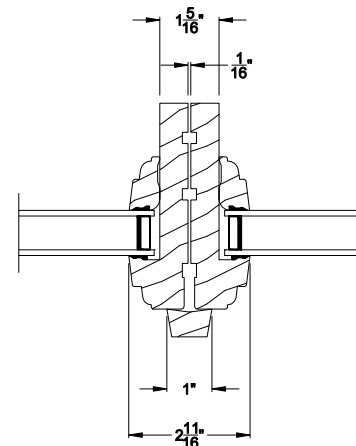
### PREMIUM WOOD INSWING DOOR TRANSOM (630)

Vertical Section - 6 9/16" jamb



### PREMIUM WOOD INSWING DOOR TRANSOM (630)

Horizontal Section - 6 9/16" jamb



**PREMIUM WOOD INSWING DOOR TRANSOM**  
Vertical Mull Section

Note: All dimensions are approximate. Weather Shield reserves the right to change specifications without notice.