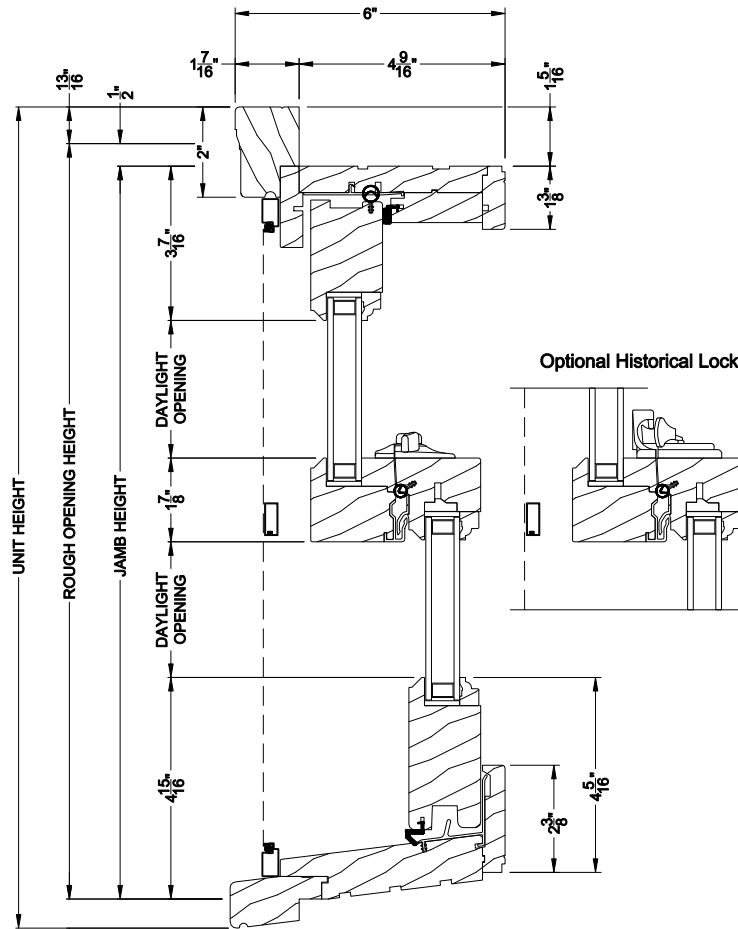


# Weather Shield®

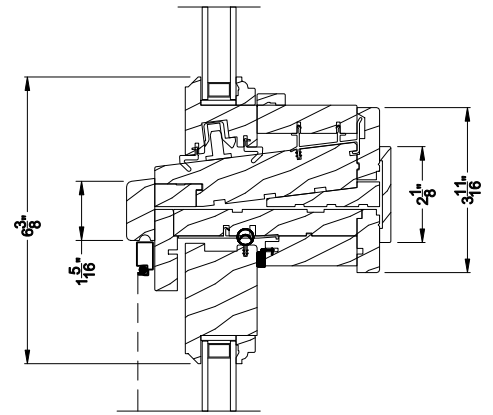
## Premium Wood Series™

# Double Hung Windows

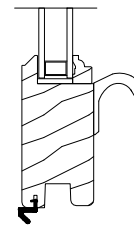
## CROSS SECTION DETAILS



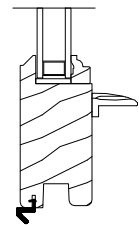
**PREMIUM WOOD DOUBLE HUNG WINDOW (6120)**  
Vertical Section



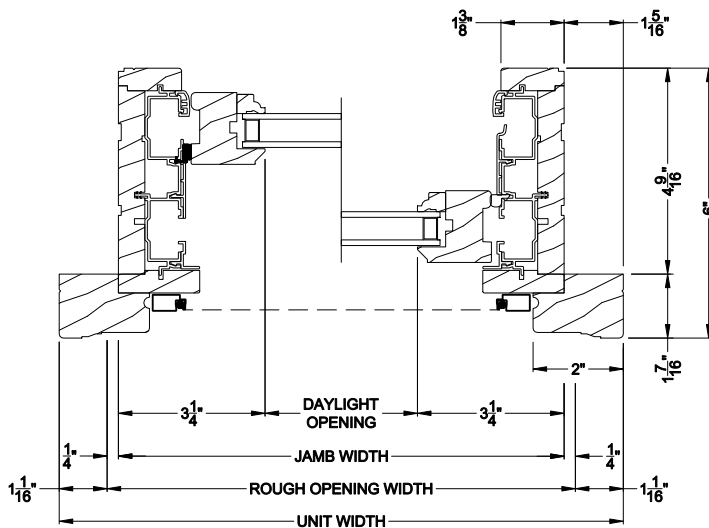
**PREMIUM WOOD DOUBLE HUNG WINDOW**  
Horizontal Stack Section - Transom Stack over DH



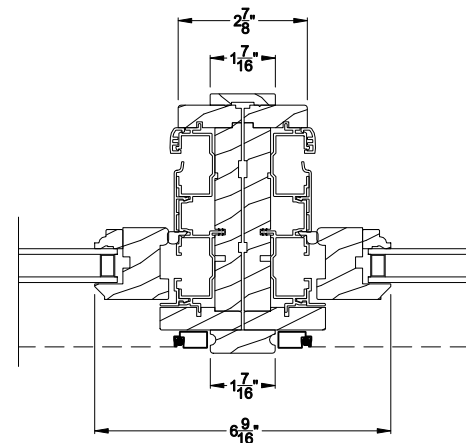
Optional Historical Sash Lift



Optional Contemporary Sash Lift



**PREMIUM WOOD DOUBLE HUNG WINDOW (6120)**  
Horizontal Section



**PREMIUM WOOD DOUBLE HUNG WINDOW**  
Vertical Mull Section - DH / DH

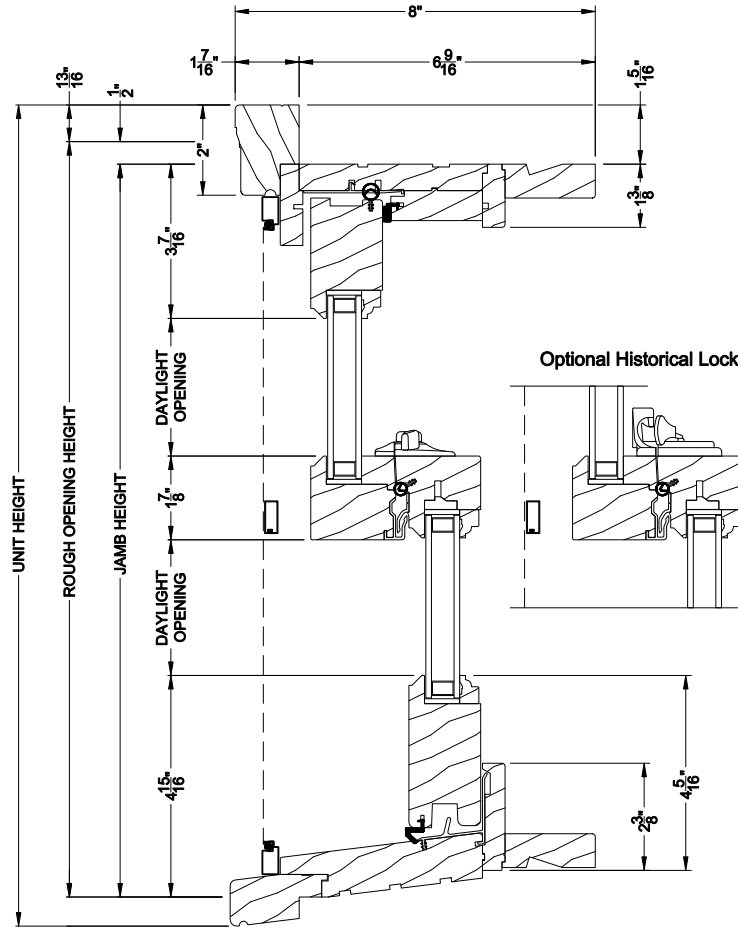
Note: All dimensions are approximate. Weather Shield reserves the right to change specifications without notice.

# Weather Shield®

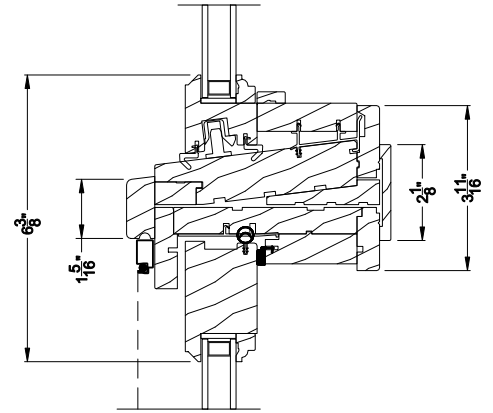
## Premium Wood Series™

# Double Hung Windows

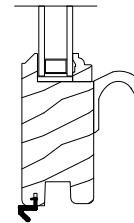
## CROSS SECTION DETAILS



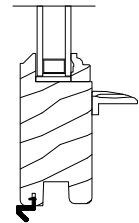
**PREMIUM WOOD DOUBLE HUNG WINDOW (6120)**  
Vertical Section - 6 9/16" Jamb



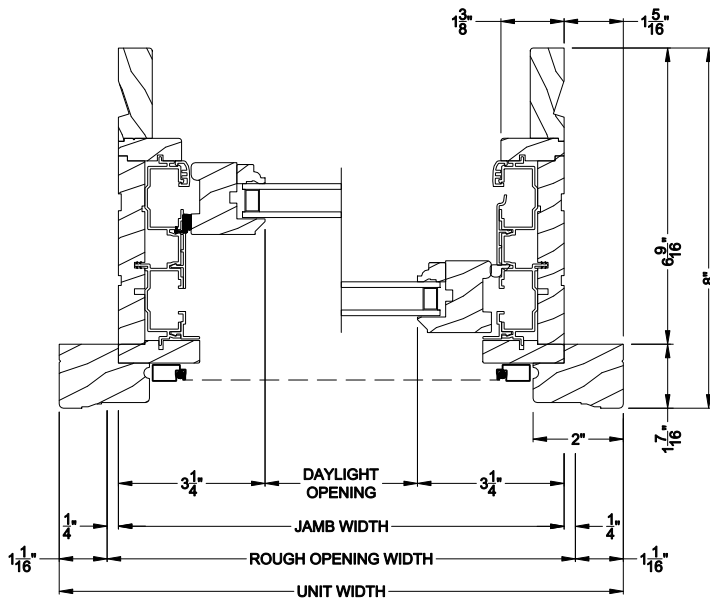
**PREMIUM WOOD DOUBLE HUNG WINDOW**  
Horizontal Stack Section - Transom Stack over DH



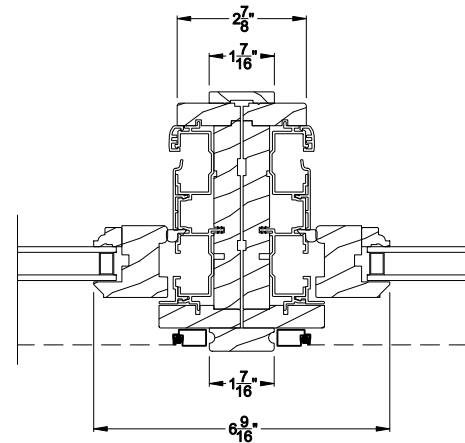
Optional Historical Sash Lift



Optional Contemporary Sash Lift



**PREMIUM WOOD DOUBLE HUNG WINDOW (6120)**  
Horizontal Section - 6 9/16" Jamb



**PREMIUM WOOD DOUBLE HUNG WINDOW**  
Vertical Mull Section - DH / DH

Note: All dimensions are approximate. Weather Shield reserves the right to change specifications without notice.