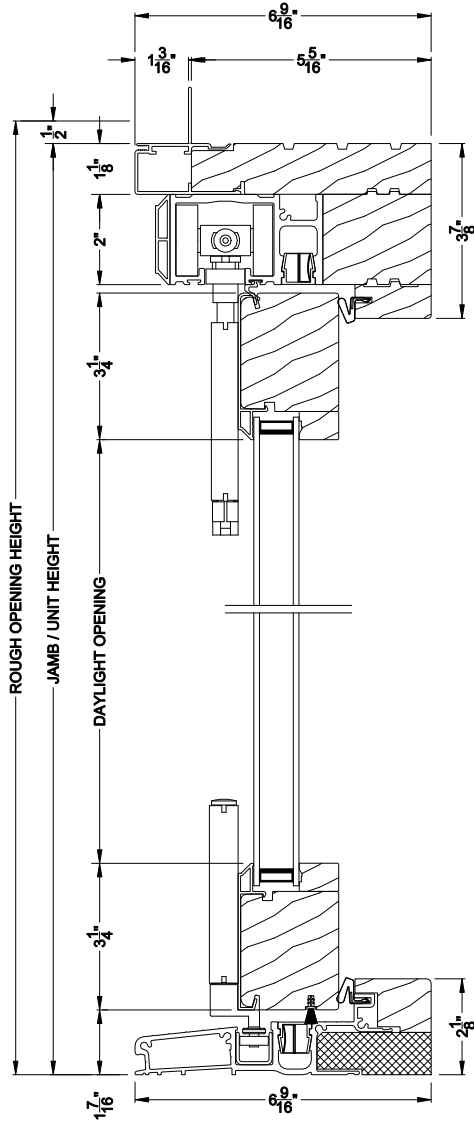


# Weather Shield®

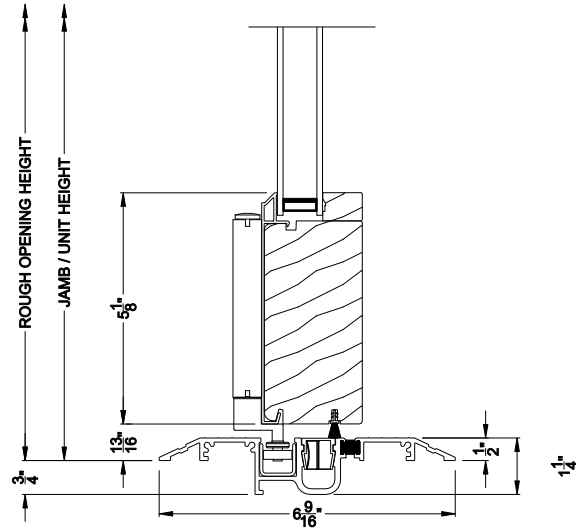
## Contemporary Collection™

# Bi-Fold Windows

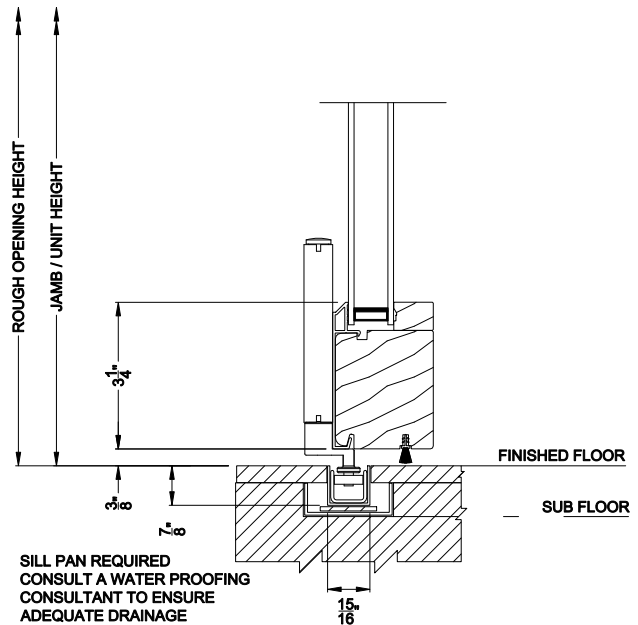
## CROSS SECTION DETAILS



**CONTEMPORARY BI-FOLD WINDOW (8623)**  
Vertical Section - Standard Sill - 3-1/4" Bottom Rail



**CONTEMPORARY BI-FOLD WINDOW (8623)**  
Vertical Section - ADA Sill - 5-1/8" Bottom Rail



SILL PAN REQUIRED  
CONSULT A WATER PROOFING  
CONSULTANT TO ENSURE  
ADEQUATE DRAINAGE

**CONTEMPORARY BI-FOLD WINDOW (8623)**  
Vertical Section - U-channel Sill - 3-1/4" Bottom Rail

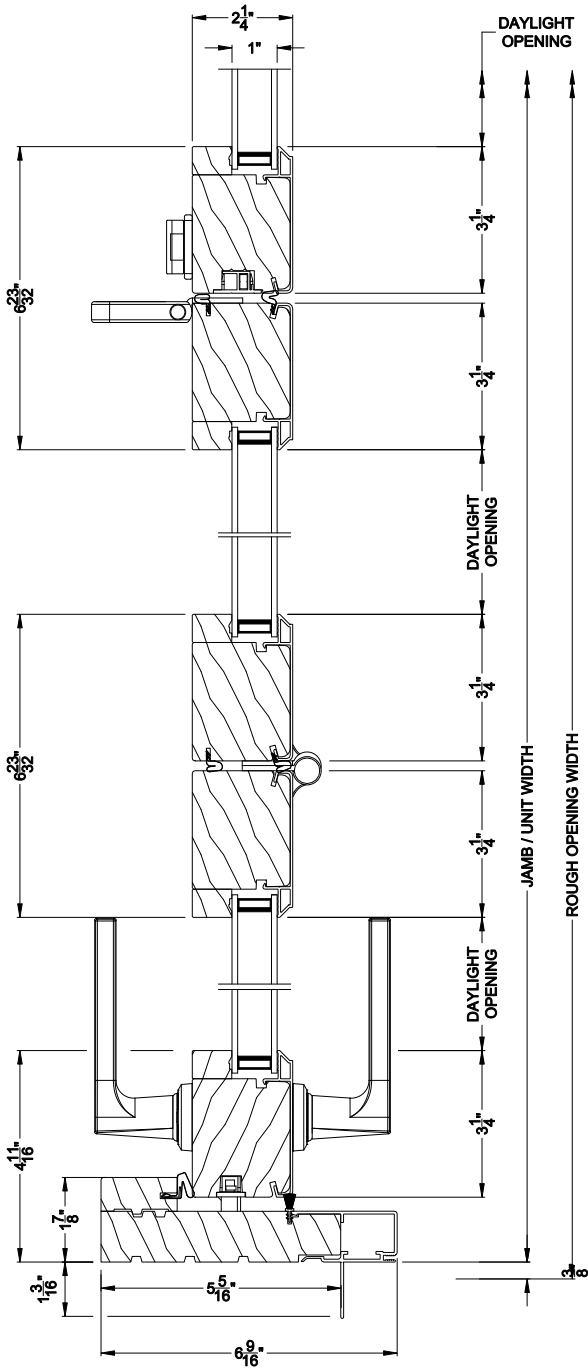
Note: All dimensions are approximate. Weather Shield reserves the right to change specifications without notice.

# Weather Shield®

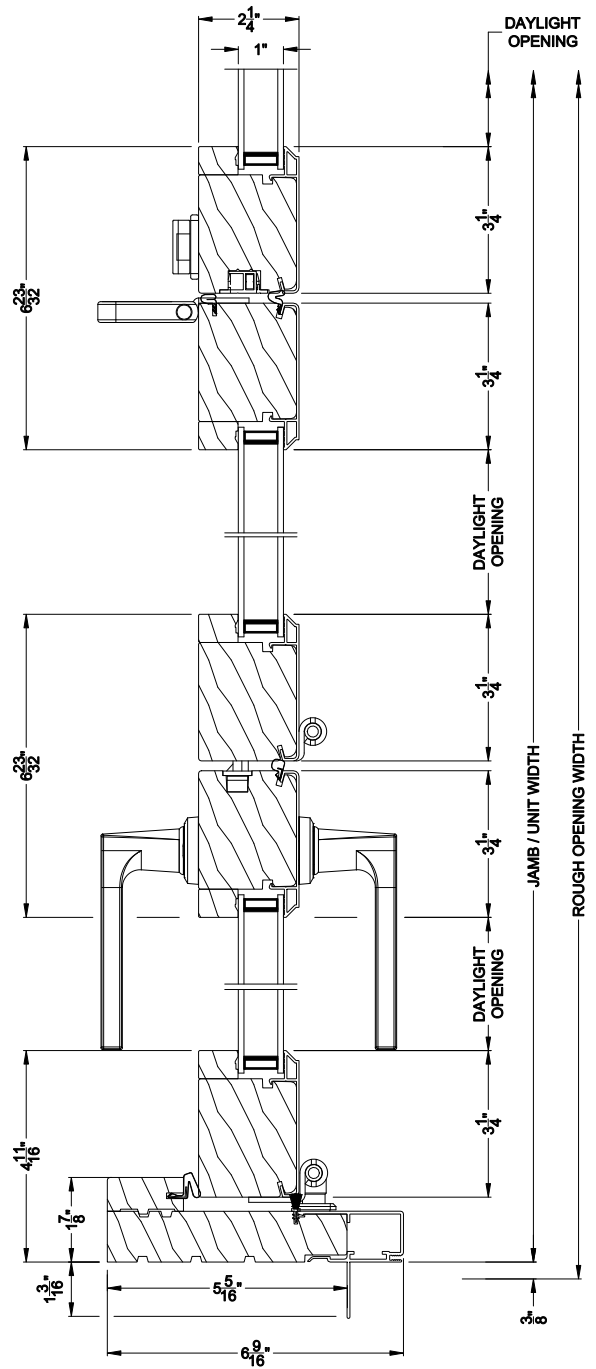
## Contemporary Collection™

# Bi-Fold Windows

## CROSS SECTION DETAILS



**CONTEMPORARY BI-FOLD WINDOW (8623)**  
Horizontal Section



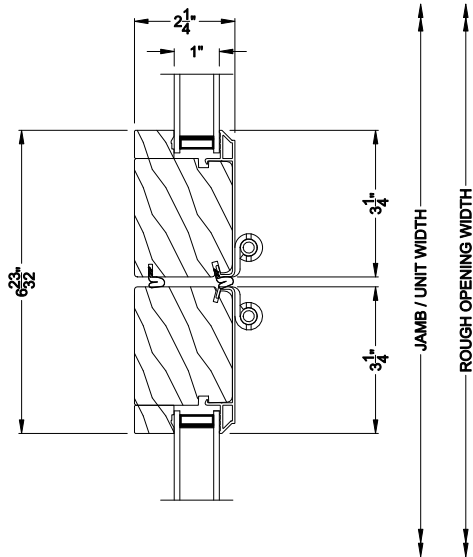
Note: All dimensions are approximate. Weather Shield reserves the right to change specifications without notice.

# Weather Shield®

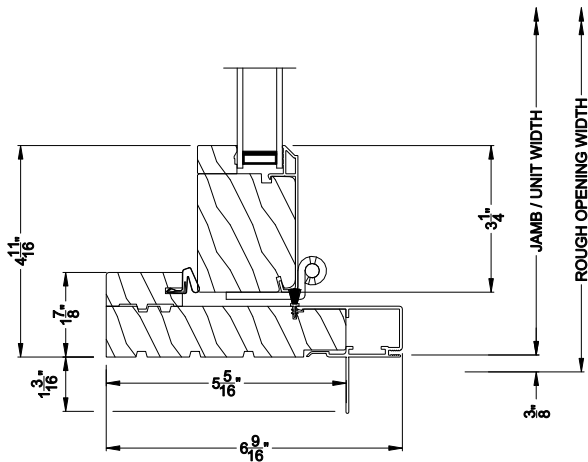
## Contemporary Collection™

# Bi-Fold Windows

## CROSS SECTION DETAILS



**CONTEMPORARY BI-FOLD WINDOW (8623)**  
Horizontal Section



Note: All dimensions are approximate. Weather Shield reserves the right to change specifications without notice.