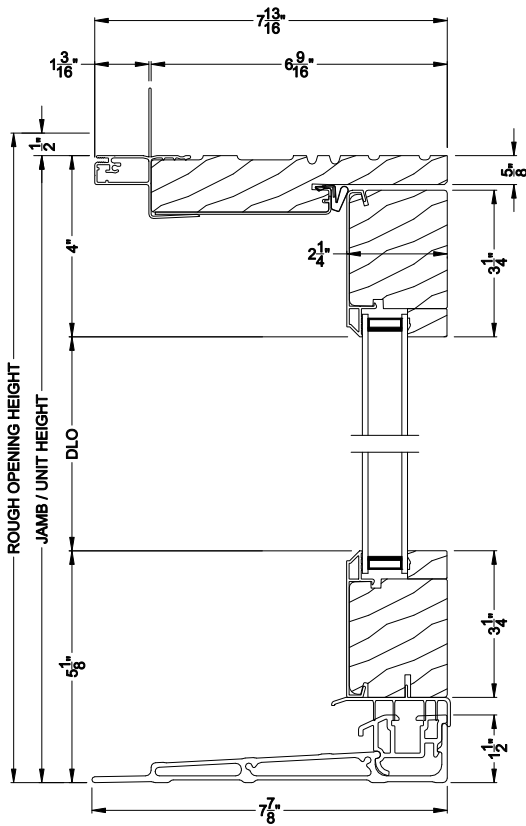


Weather Shield®

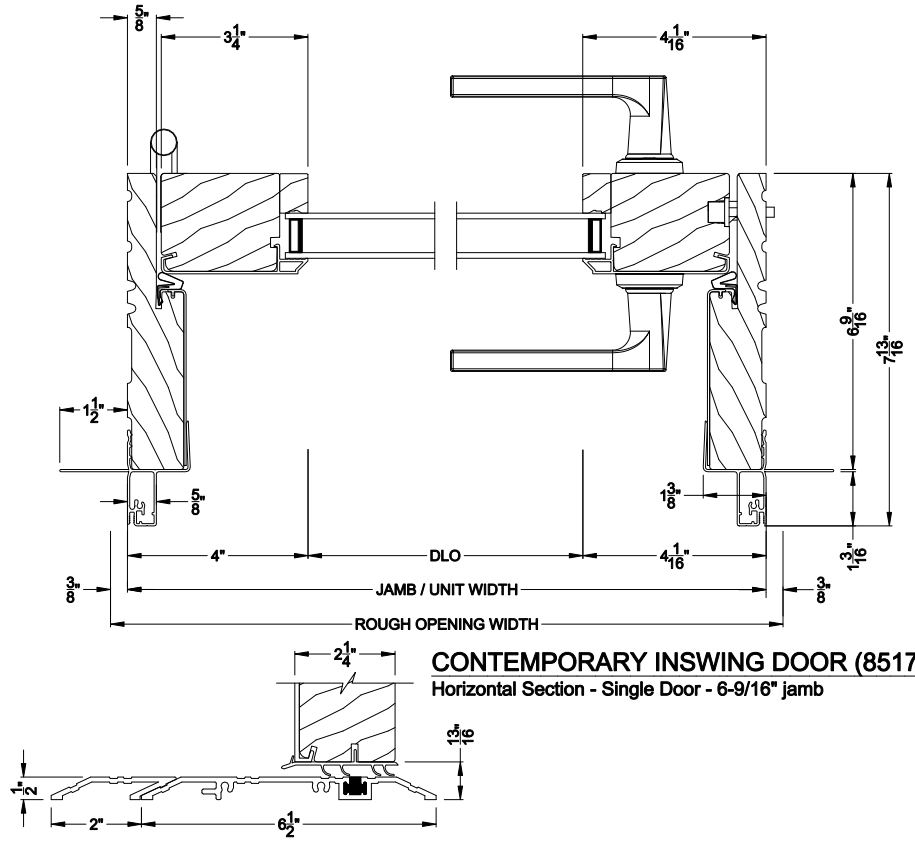
Contemporary Collection™

Hinged Patio Doors

CROSS SECTION DETAILS

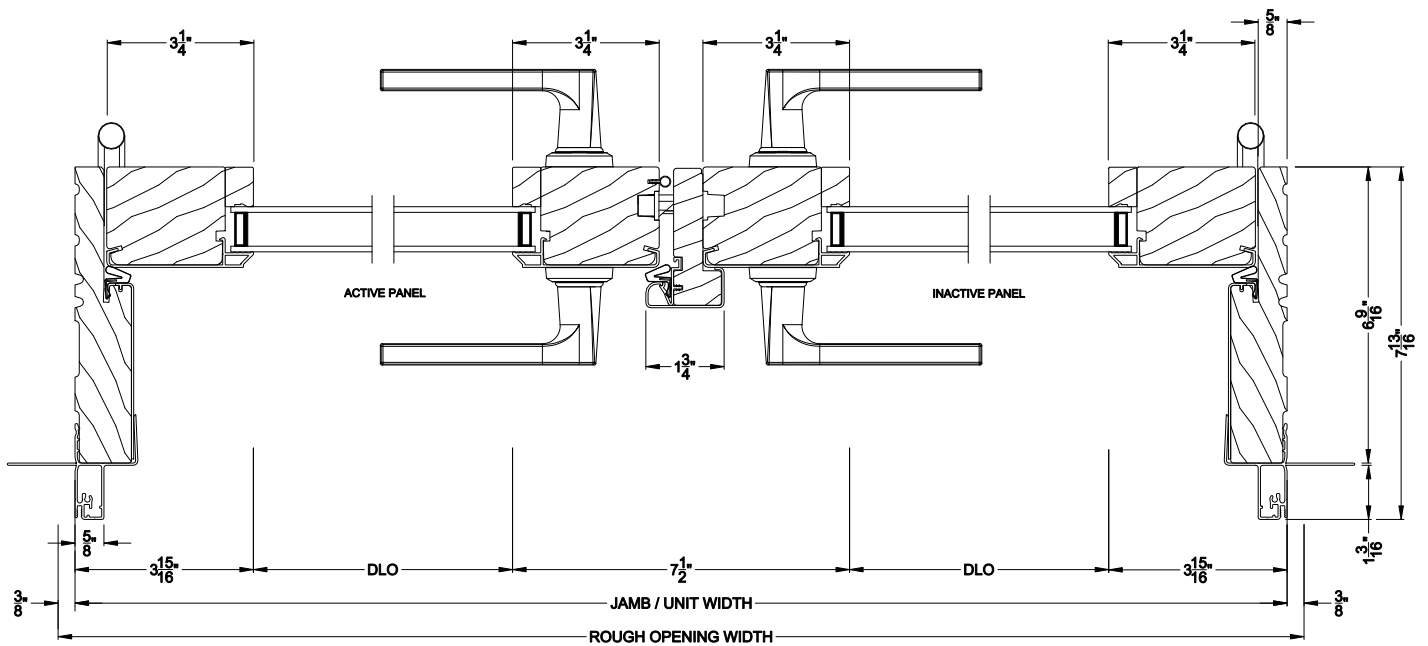


CONTEMPORARY INSWING DOOR (8517)
Vertical Section - 6-9/16" jamb



CONTEMPORARY INSWING DOOR (8517)
Vertical Section - ADA Sill - 6-9/16" jamb

CONTEMPORARY INSWING DOOR (8517)
Horizontal Section - Single Door - 6-9/16" jamb

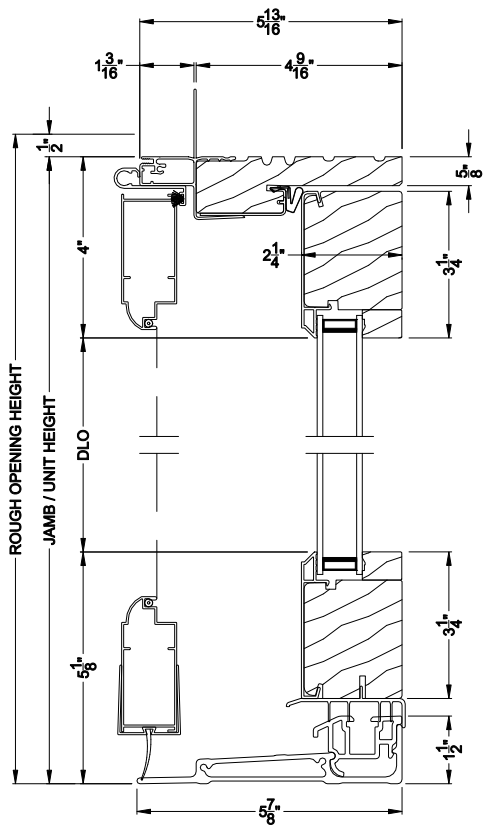


CONTEMPORARY INSWING DOOR (8517)
Horizontal Section - Double Door - 6-9/16" jamb

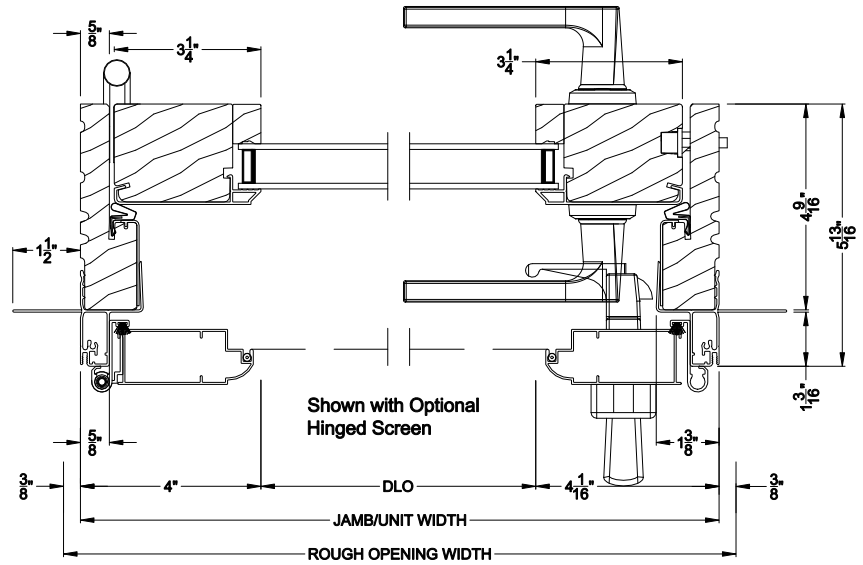
Note: All dimensions are approximate. Weather Shield reserves the right to change specifications without notice.

Weather Shield® Contemporary Collection™

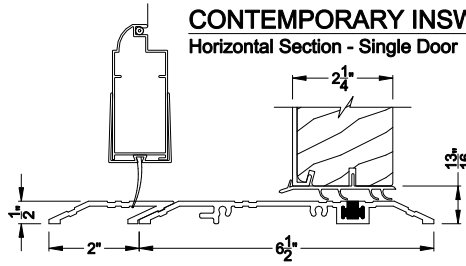
Hinged Patio Doors CROSS SECTION DETAILS



CONTEMPORARY INSWING DOOR (8517)
Vertical Section
Shown with Optional Hinged Screen

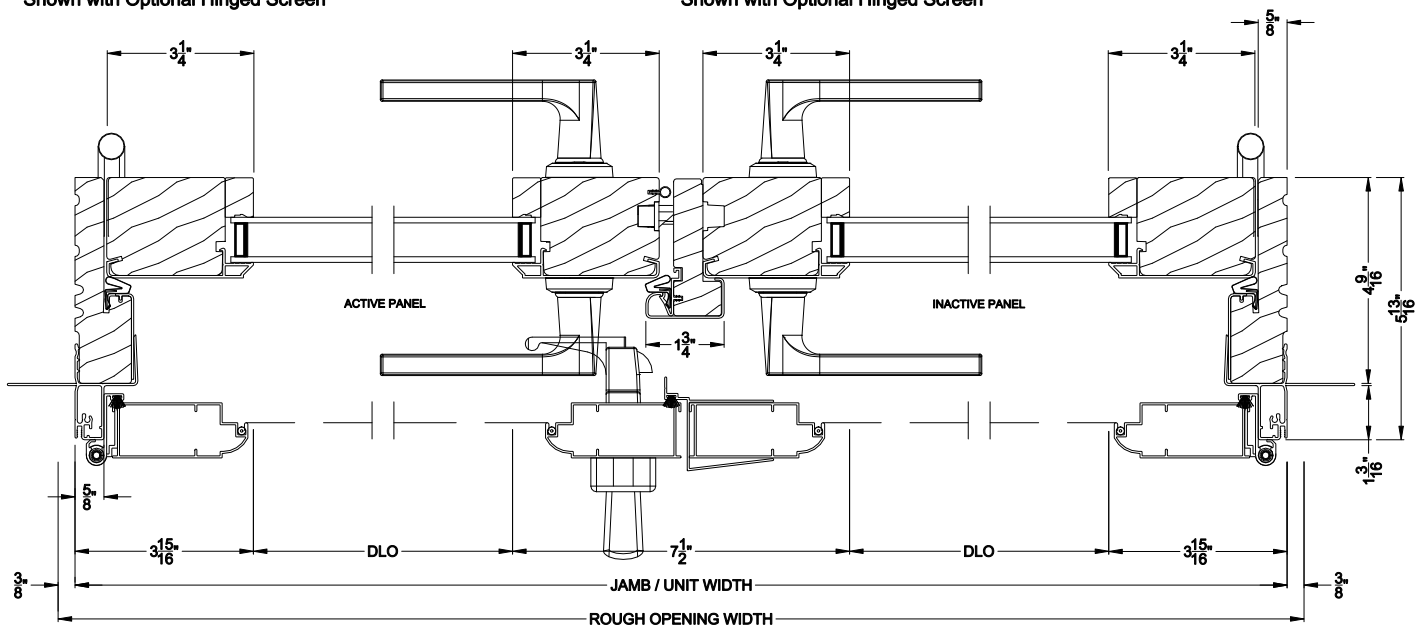


CONTEMPORARY INSWING DOOR (8517)
Horizontal Section - Single Door
Shown with Optional Hinged Screen



*Requires ADA sill extension

CONTEMPORARY INSWING DOOR (8517)
Vertical Section - ADA Sill
Shown with Optional Hinged Screen*



CONTEMPORARY INSWING DOOR (8517)
Horizontal Section - Double Door
Shown with Optional Hinged Screen

Note: All dimensions are approximate. Weather Shield reserves the right to change specifications without notice.