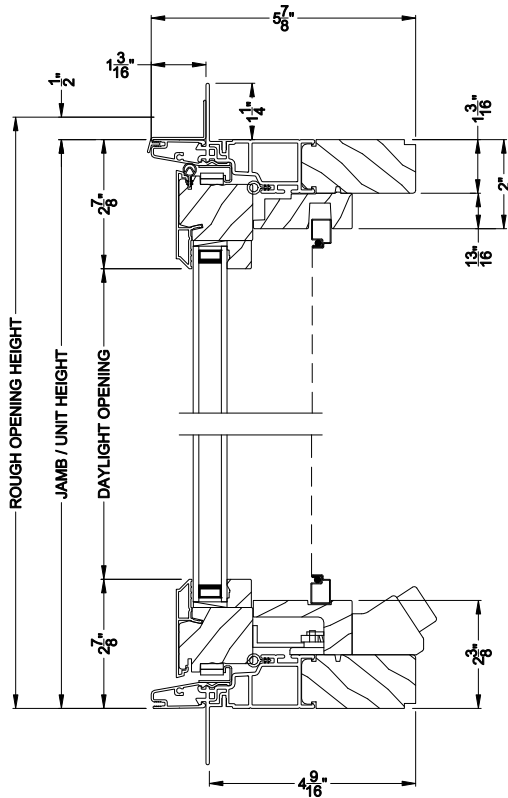


Weather Shield®

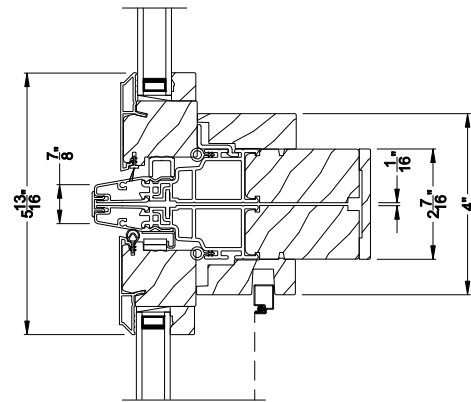
Contemporary Collection™

Casement Windows

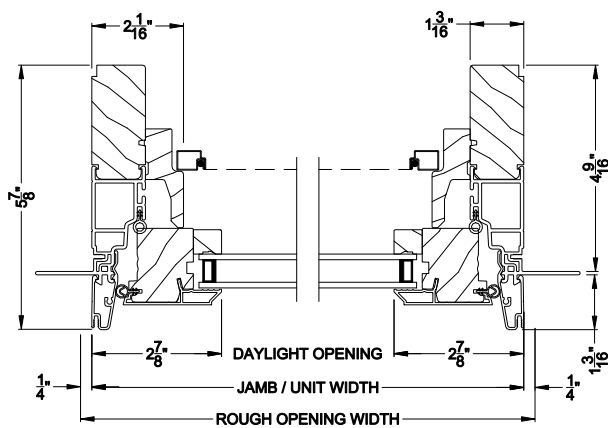
CROSS SECTION DETAILS



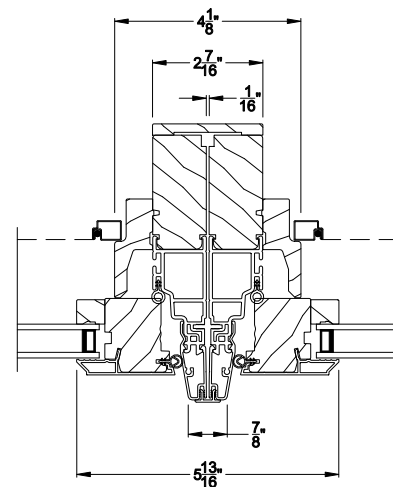
CONTEMPORARY CASEMENT WINDOW (8211)
Vertical Section - Shadow-Line Frame



CONTEMPORARY CASEMENT WINDOW
Horizontal Stack Section - Transom Stack over Casement



CONTEMPORARY CASEMENT WINDOW (8211)
Horizontal Section - Shadow-Line Frame



CONTEMPORARY CASEMENT WINDOW
Vertical Mull Section

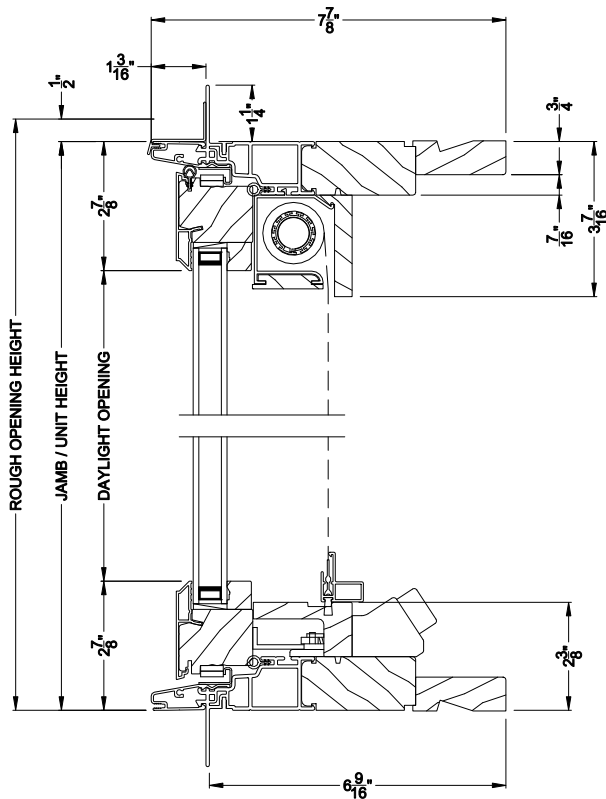
Note: All dimensions are approximate. Weather Shield reserves the right to change specifications without notice.

Weather Shield®

Contemporary Collection™

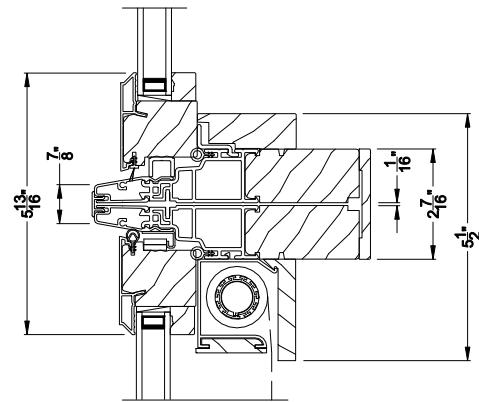
Casement Windows

CROSS SECTION DETAILS



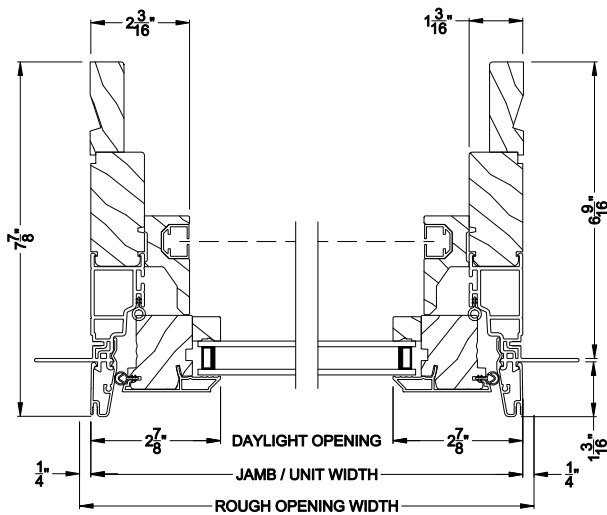
Shown with Optional Retractable Screen

CONTEMPORARY CASEMENT WINDOW (8211)
Vertical Section - Shadow-Line Frame - 6-9/16" jamb



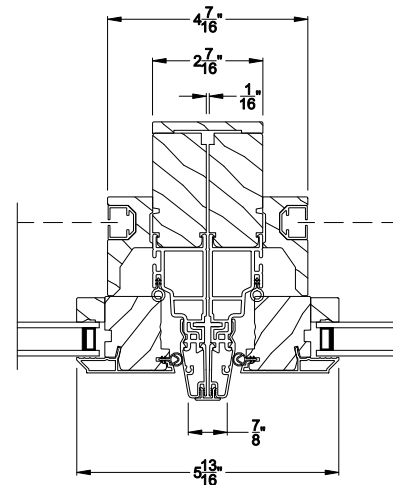
Shown with Optional Retractable Screen

CONTEMPORARY CASEMENT WINDOW
Horizontal Stack Section - Transom Stack over Casement



Shown with Optional Retractable Screen

CONTEMPORARY CASEMENT WINDOW (8211)
Horizontal Section - Shadow-Line Frame - 6-9/16" jamb



Shown with Optional Retractable Screen

CONTEMPORARY CASEMENT WINDOW
Vertical Mull Section

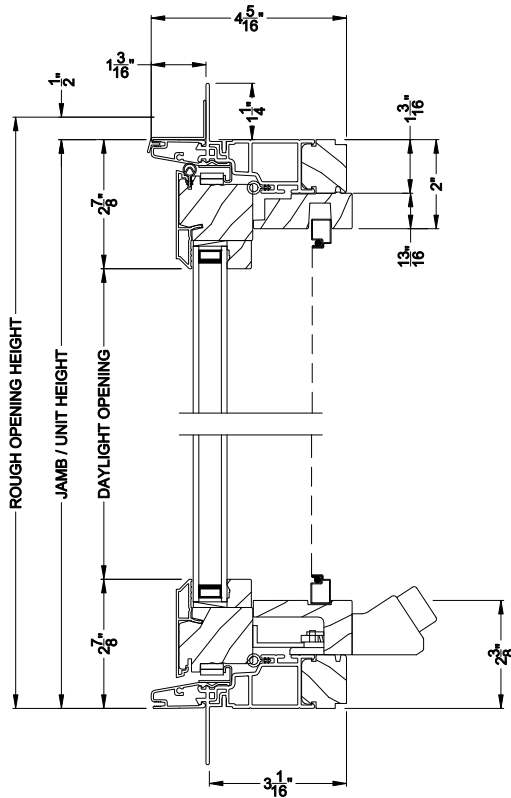
Note: All dimensions are approximate. Weather Shield reserves the right to change specifications without notice.

Weather Shield®

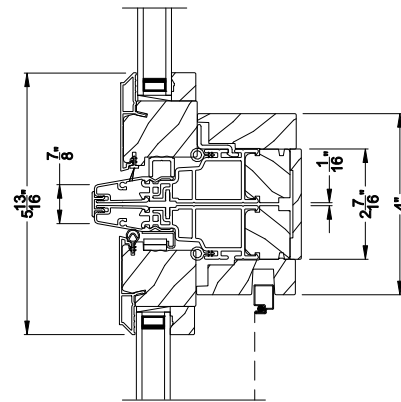
Contemporary Collection™

Casement Windows

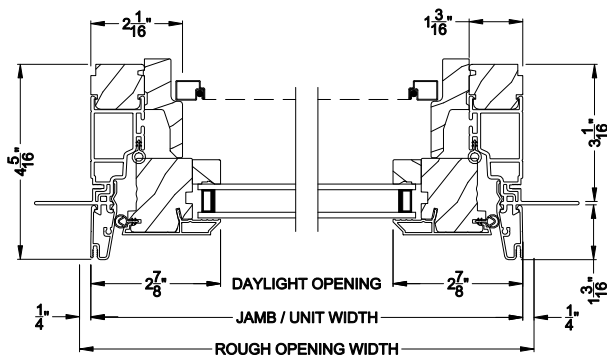
CROSS SECTION DETAILS



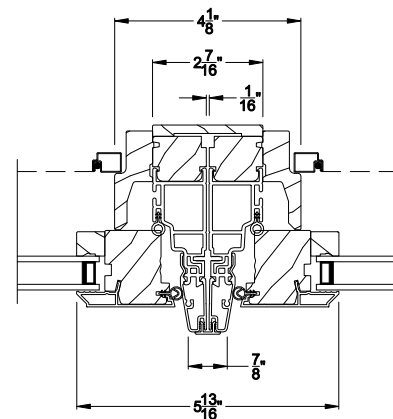
CONTEMPORARY CASEMENT WINDOW (8211)
Vertical Section - Shadow-Line Frame - 3-1/16" jamb



CONTEMPORARY CASEMENT WINDOW
Horizontal Stack Section - Transom Stack over Casement

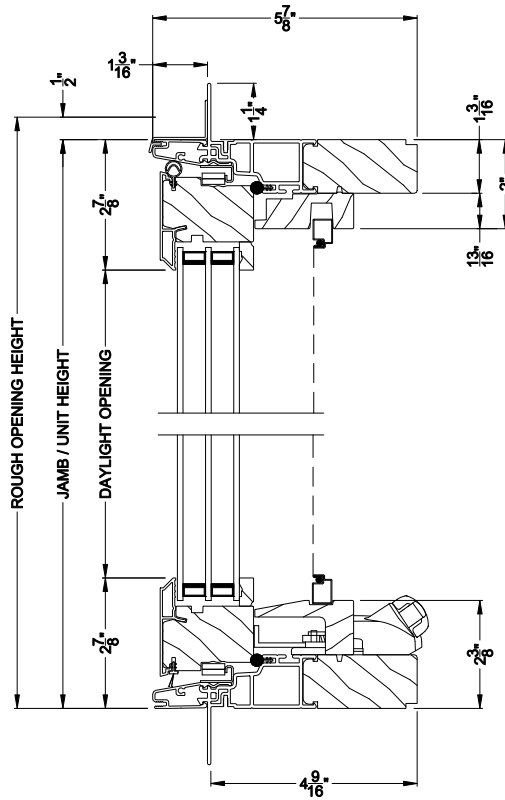


CONTEMPORARY CASEMENT WINDOW (8211)
Horizontal Section - Shadow-Line Frame - 3-1/16" jamb

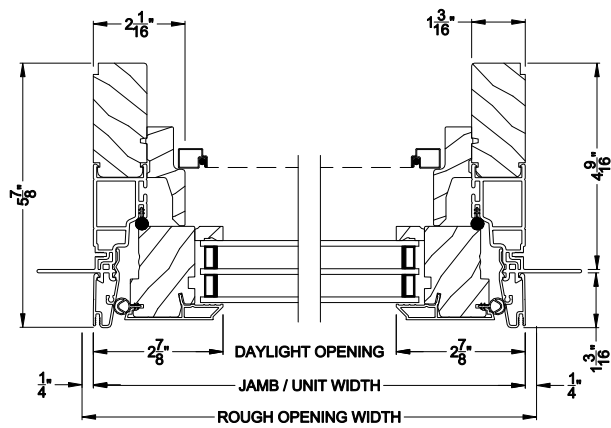


CONTEMPORARY CASEMENT WINDOW
Vertical Mull Section

Note: All dimensions are approximate. Weather Shield reserves the right to change specifications without notice.



CONTEMPORARY CASEMENT WINDOW (8211)
Vertical Section - Energy Sash



CONTEMPORARY CASEMENT WINDOW (8211)
Horizontal Section - Energy Sash

Note: All dimensions are approximate. Weather Shield reserves the right to change specifications without notice.