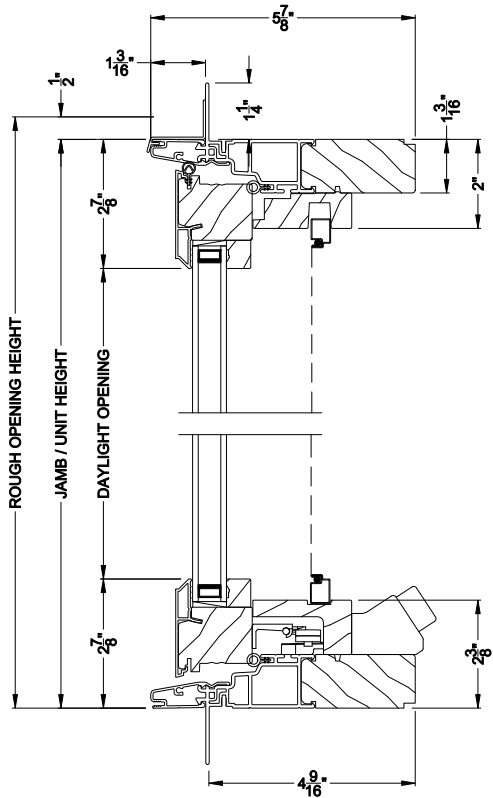


Weather Shield®

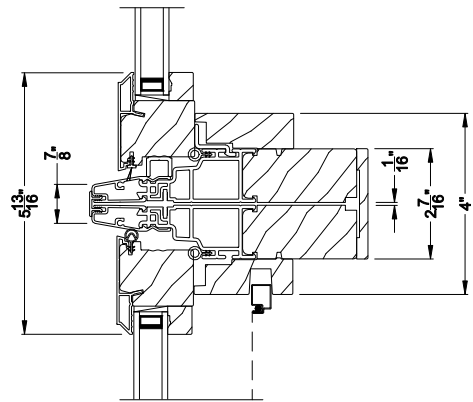
Contemporary Collection™

Awning Windows

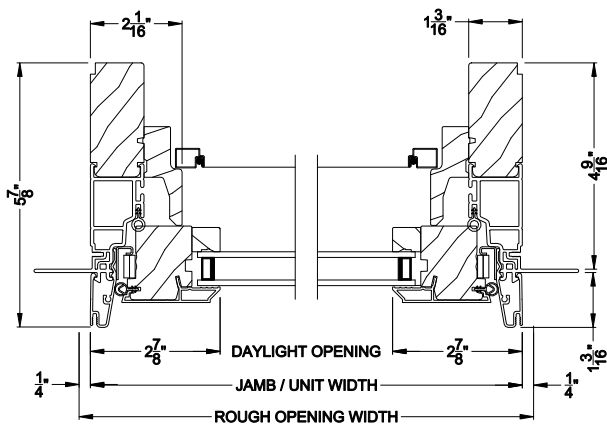
CROSS SECTION DETAILS



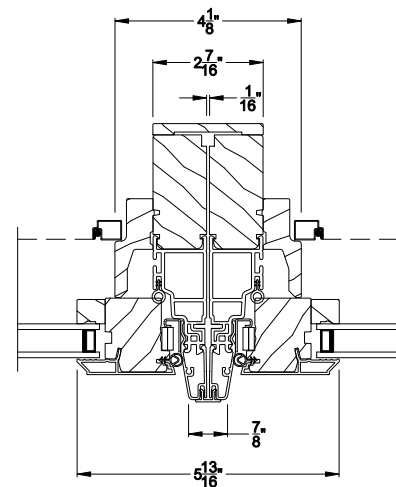
CONTEMPORARY AWNING WINDOW (8211)
Vertical Section - Shadow-Line Frame



CONTEMPORARY AWNING WINDOW
Vertical Section - Transom Stack over Awning



CONTEMPORARY AWNING WINDOW (8211)
Horizontal Section - Shadow-Line Frame



CONTEMPORARY AWNING WINDOW
Horizontal Mull Section

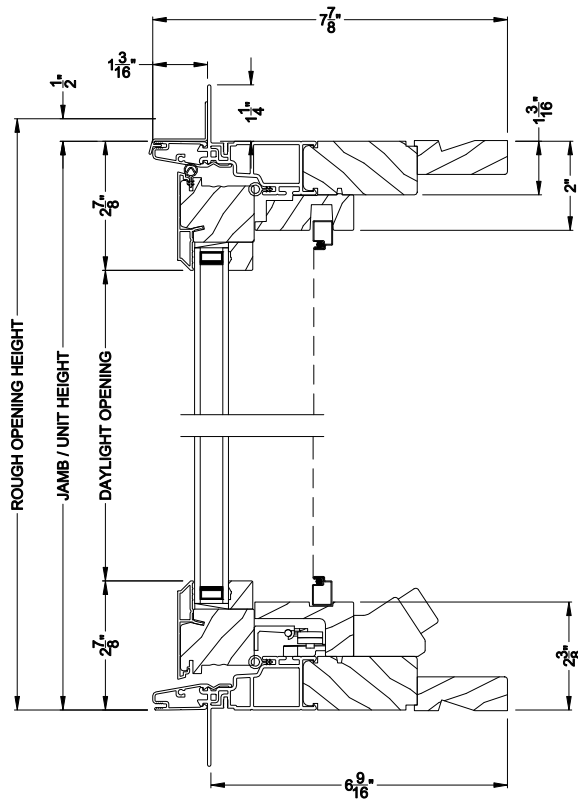
Note: All dimensions are approximate. Weather Shield reserves the right to change specifications without notice.

Weather Shield®

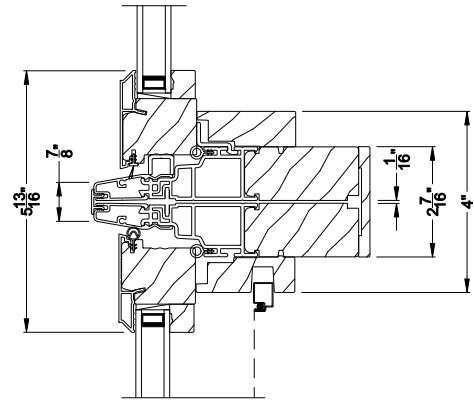
Contemporary Collection™

Awning Windows

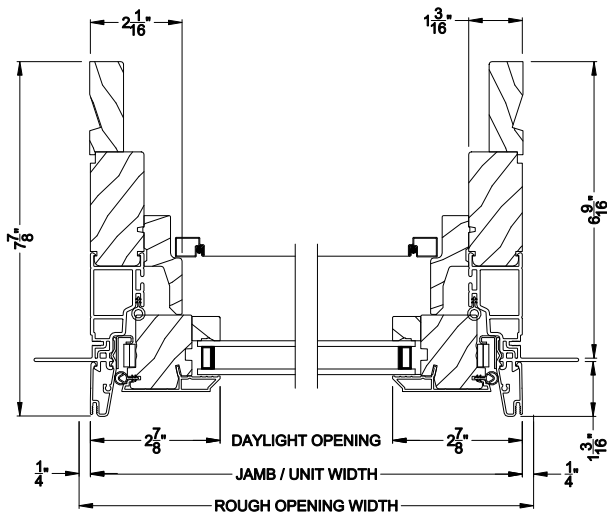
CROSS SECTION DETAILS



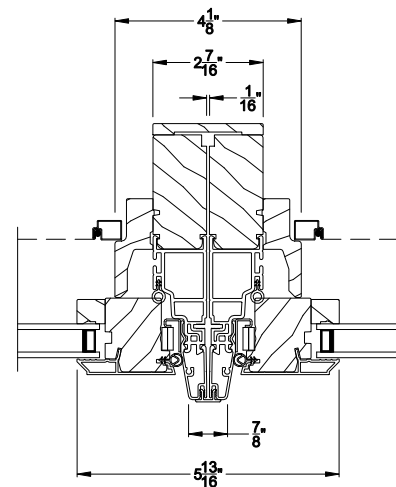
CONTEMPORARY AWNING WINDOW (8211)
Vertical Section - Shadow-Line Frame - 6-9/16" jamb



CONTEMPORARY AWNING WINDOW
Vertical Section - Transom Stack over Awning



CONTEMPORARY AWNING WINDOW (8211)
Horizontal Section - Shadow-Line Frame - 6-9/16" jamb



CONTEMPORARY AWNING WINDOW
Horizontal Mull Section

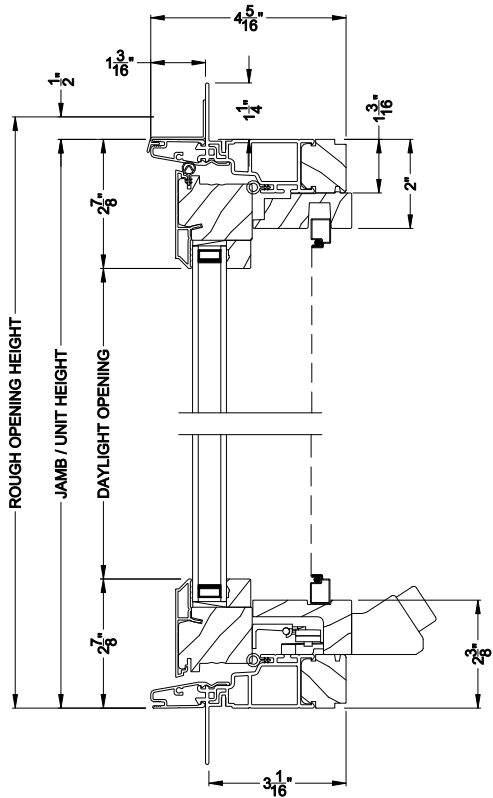
Note: All dimensions are approximate. Weather Shield reserves the right to change specifications without notice.

Weather Shield®

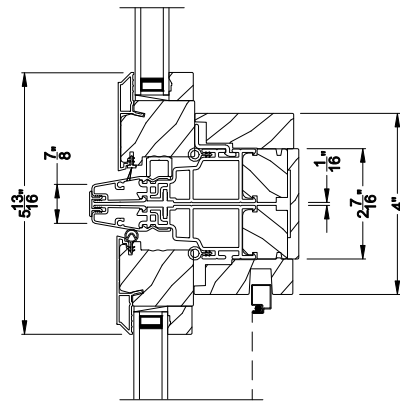
Contemporary Collection™

Awning Windows

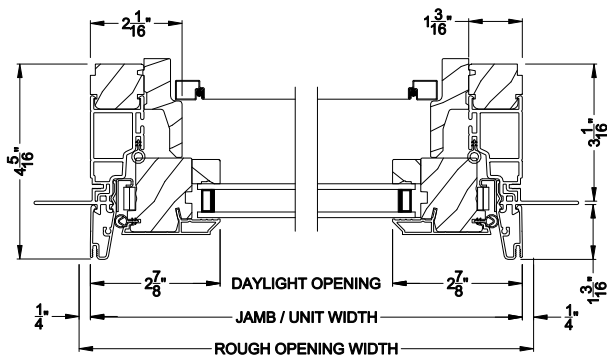
CROSS SECTION DETAILS



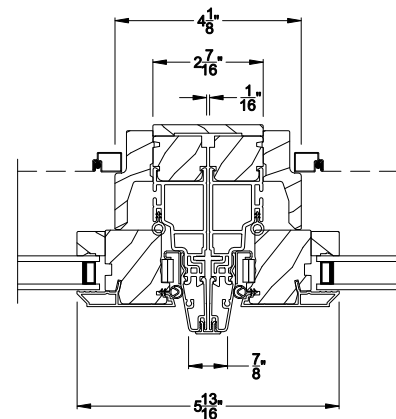
CONTEMPORARY AWNING WINDOW (8211)
Vertical Section - Shadow-Line Frame - 3-1/16" jamb



CONTEMPORARY AWNING WINDOW
Vertical Section - Transom Stack over Awning

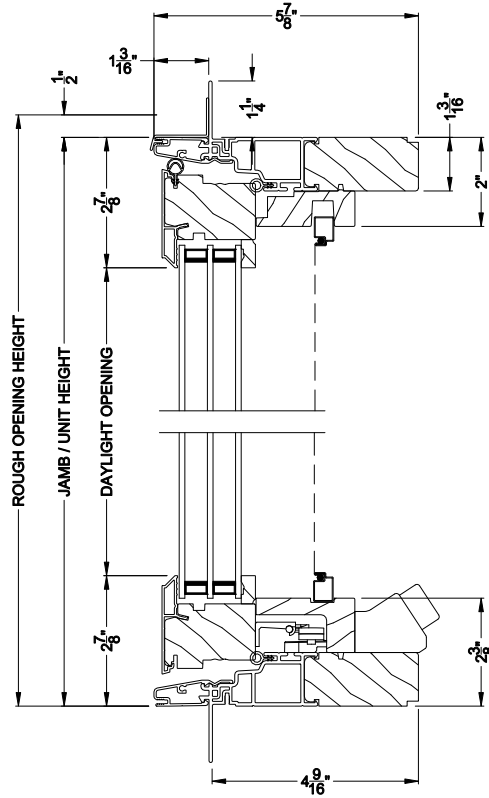


CONTEMPORARY AWNING WINDOW (8211)
Horizontal Section - Shadow-Line Frame - 3-1/16" jamb

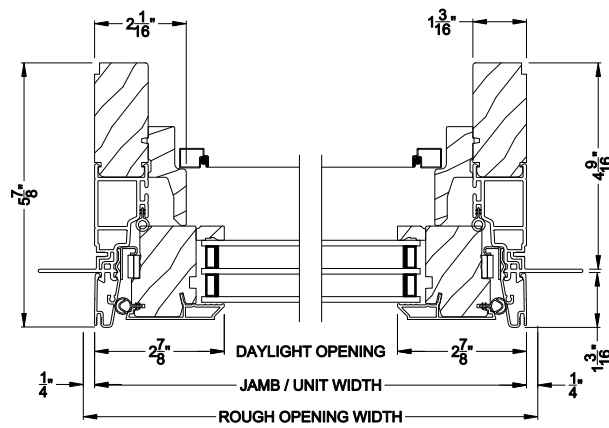


CONTEMPORARY AWNING WINDOW
Horizontal Mull Section

Note: All dimensions are approximate. Weather Shield reserves the right to change specifications without notice.



CONTEMPORARY AWNING WINDOW (8211)
 Vertical Section - Energy Sash



CONTEMPORARY AWNING WINDOW (8211)
 Horizontal Section - Energy Sash

Note: All dimensions are approximate. Weather Shield reserves the right to change specifications without notice.