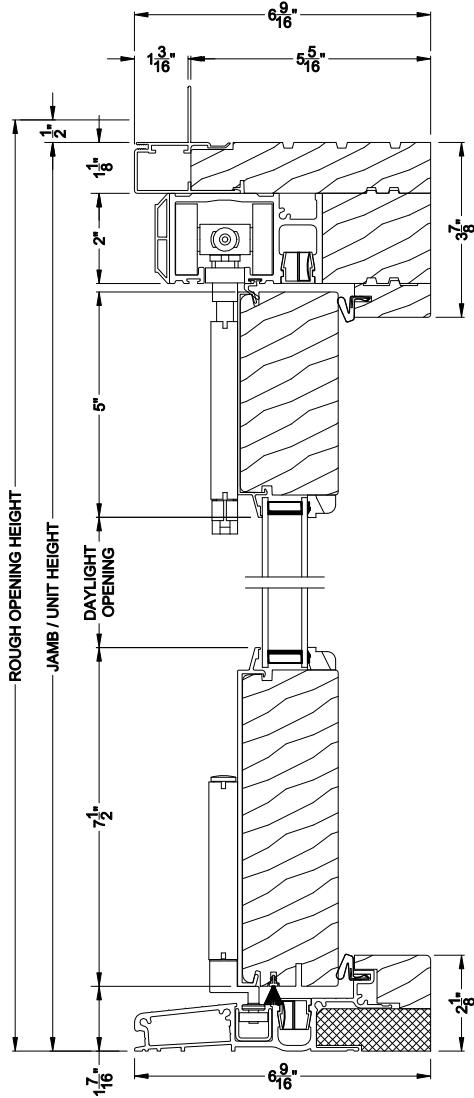


# Weather Shield®

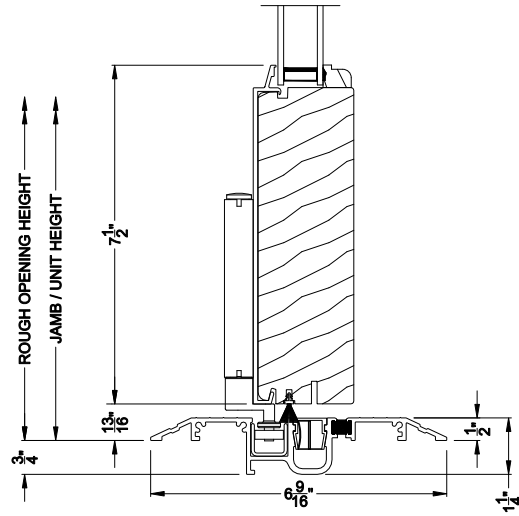
## Premium Series™

# Bi-Fold Windows

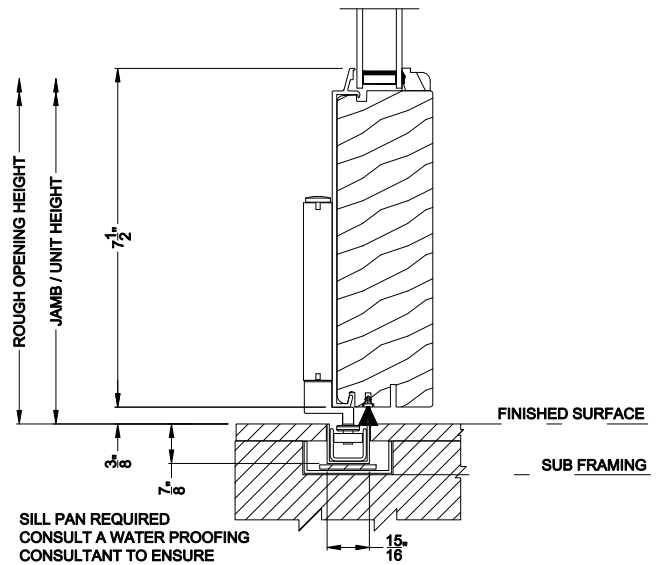
## CROSS SECTION DETAILS



**PREMIUM BI-FOLD WINDOW (8622)**  
Vertical Section - Standard Sill



**PREMIUM BI-FOLD WINDOW (8622)**  
Vertical Section - ADA Sill



SILL PAN REQUIRED  
CONSULT A WATER PROOFING  
CONSULTANT TO ENSURE  
ADEQUATE DRAINAGE

**PREMIUM BI-FOLD WINDOW (8622)**  
Vertical Section - U-channel Sill

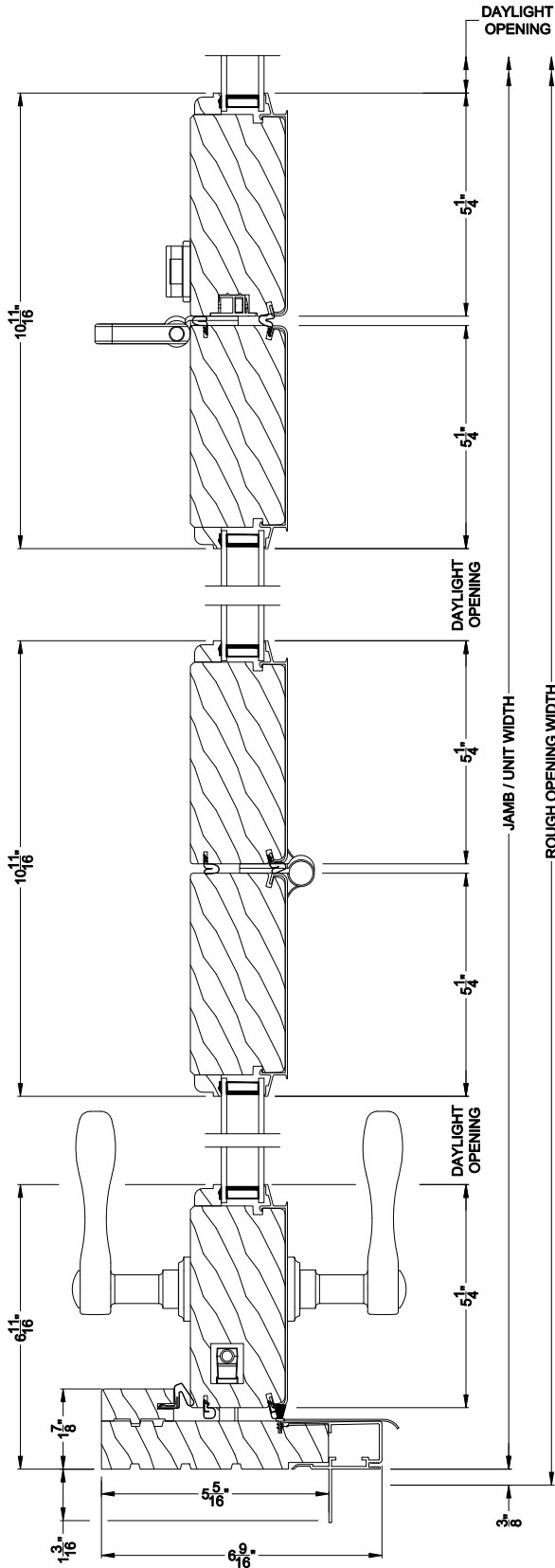
Note: All dimensions are approximate. Weather Shield reserves the right to change specifications without notice.

# Weather Shield®

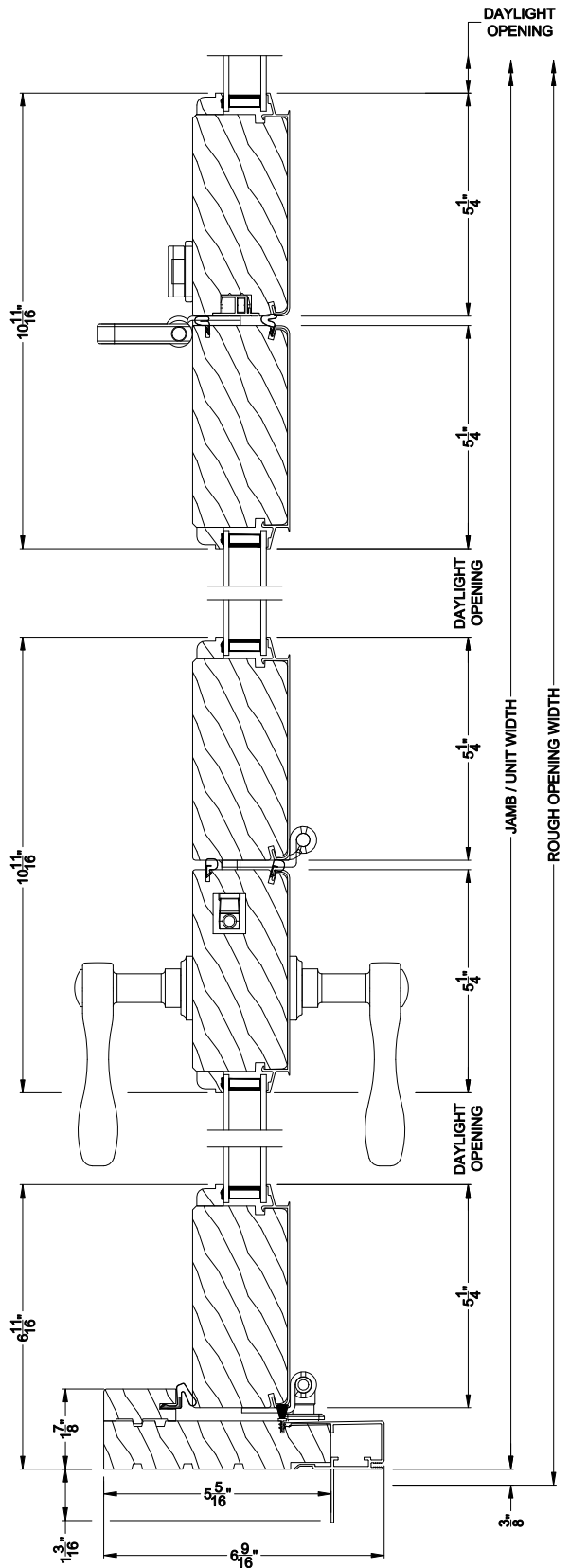
## Premium Series™

# Bi-Fold Windows

## CROSS SECTION DETAILS



**PREMIUM BI-FOLD WINDOW (8622)**  
Horizontal Section



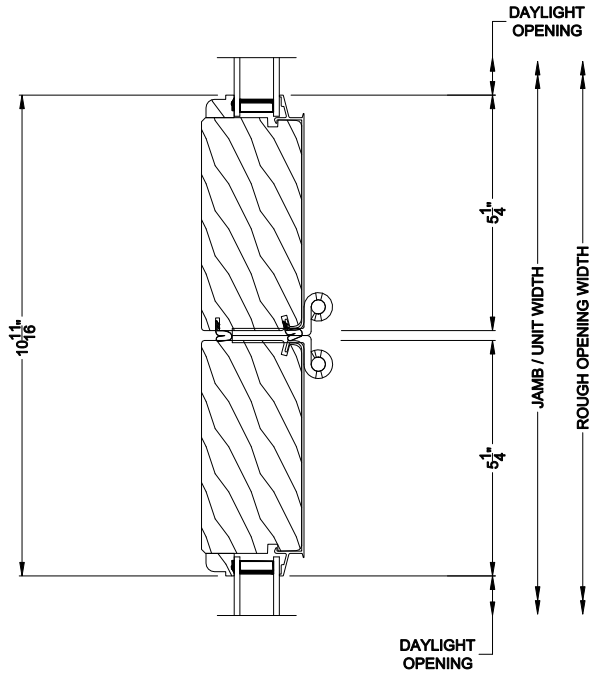
Note: All dimensions are approximate. Weather Shield reserves the right to change specifications without notice.

# Weather Shield®

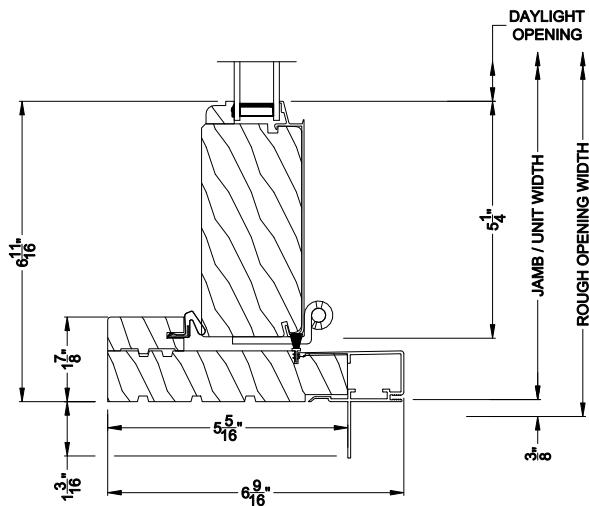
## Premium Series™

# Bi-Fold Windows

## CROSS SECTION DETAILS



**PREMIUM BI-FOLD WINDOW (8622)**  
Horizontal Section



Note: All dimensions are approximate. Weather Shield reserves the right to change specifications without notice.