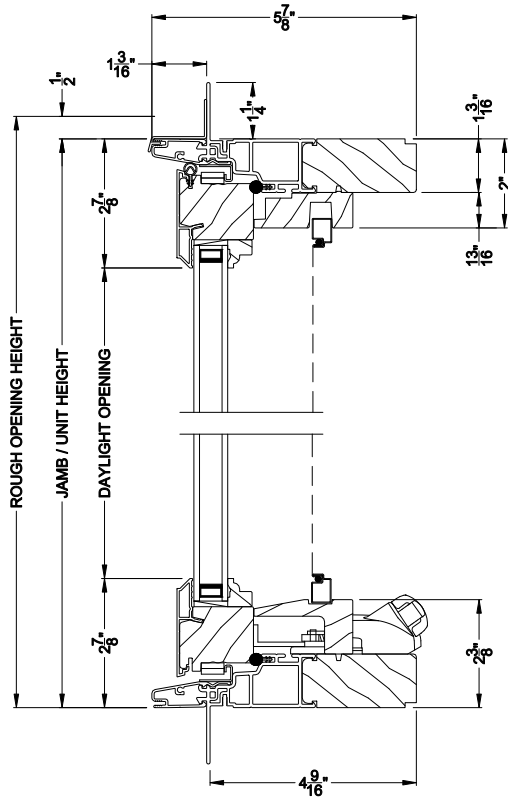


Weather Shield®

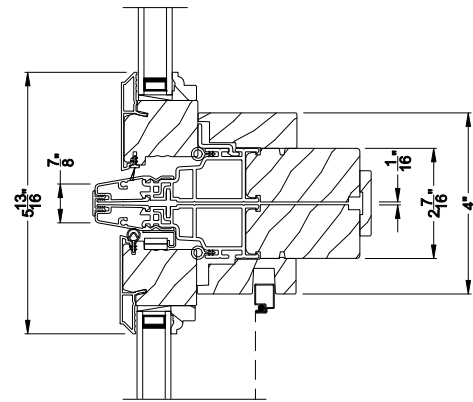
Premium Series™

Casement Windows

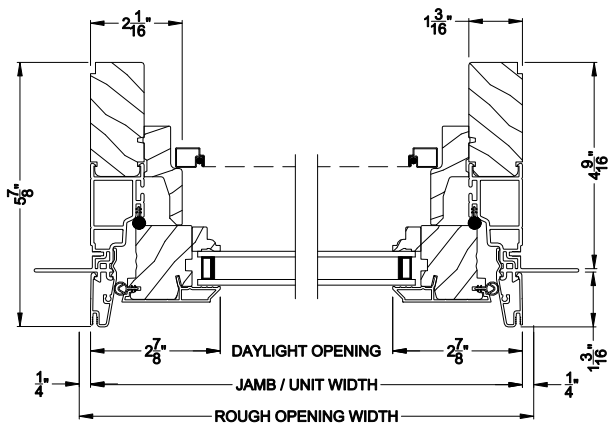
CROSS SECTION DETAILS



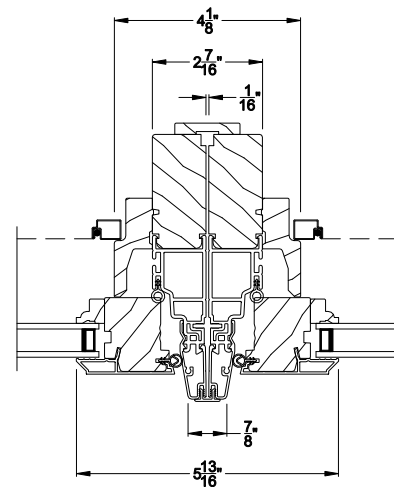
PREMIUM CASEMENT WINDOW (8211)
Vertical Section



PREMIUM CASEMENT WINDOW
Horizontal Stack Section - Transom Stack over Casement



PREMIUM CASEMENT WINDOW (8211)
Horizontal Section



PREMIUM CASEMENT WINDOW
Vertical Mull Section

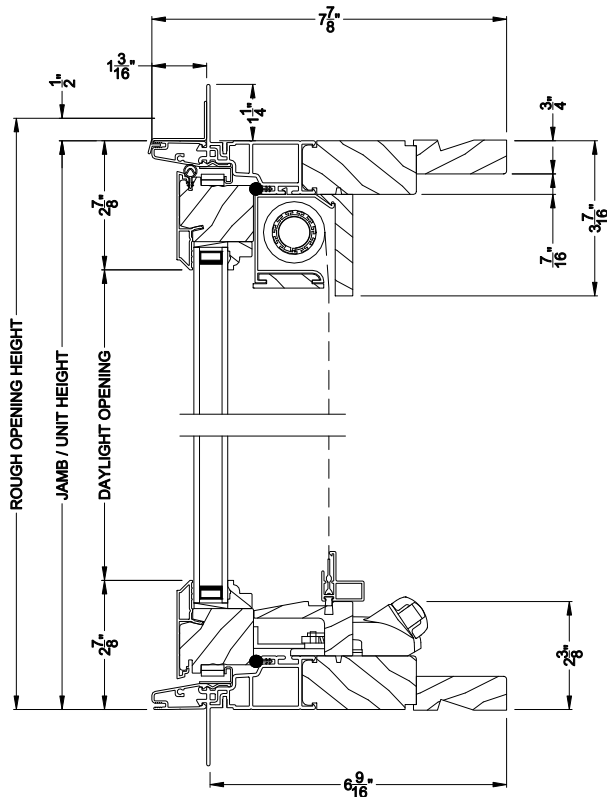
Note: All dimensions are approximate. Weather Shield reserves the right to change specifications without notice.

Weather Shield®

Premium Series™

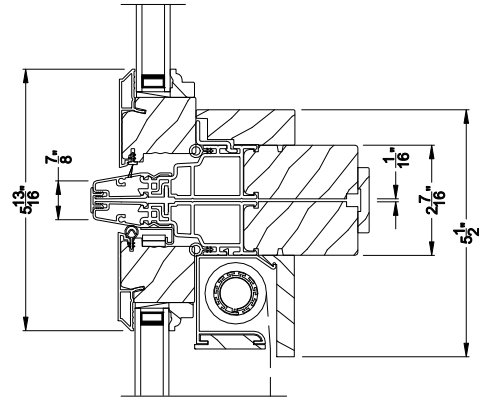
Casement Windows

CROSS SECTION DETAILS



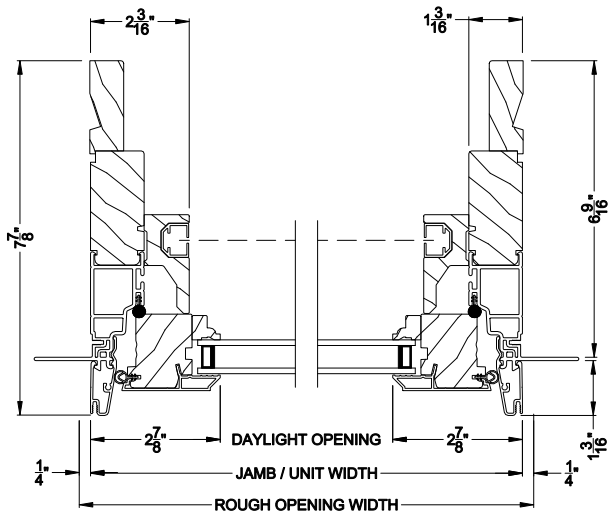
Shown with Optional Retractable Screen

PREMIUM CASEMENT WINDOW (8211)
Vertical Section - 6-9/16" jamb



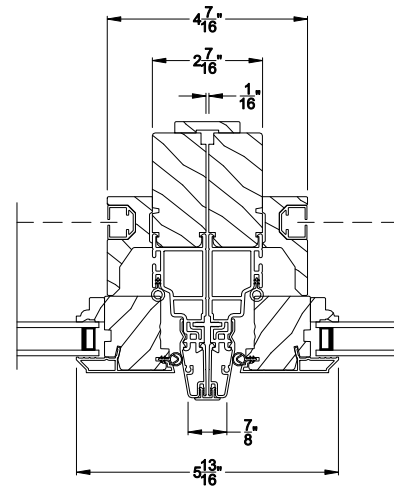
Shown with Optional Retractable Screen

PREMIUM CASEMENT WINDOW
Horizontal Stack Section - Transom Stack over Casement



Shown with Optional Retractable Screen

PREMIUM CASEMENT WINDOW (8211)
Horizontal Section - 6-9/16" jamb



Shown with Optional Retractable Screen

PREMIUM CASEMENT WINDOW
Vertical Mull Section

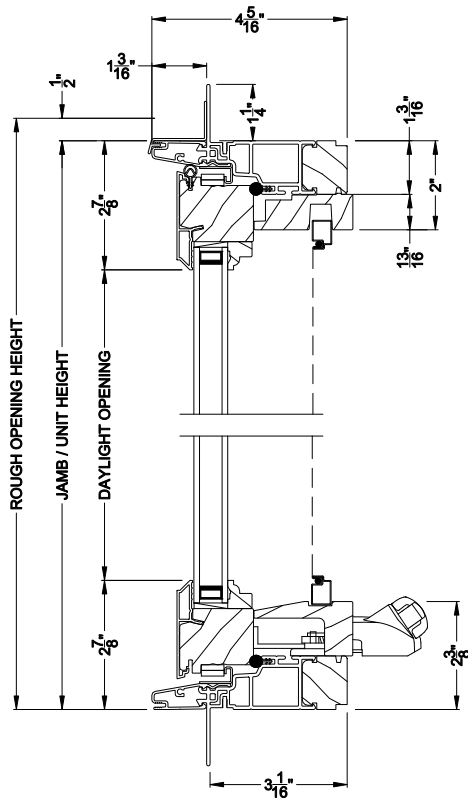
Note: All dimensions are approximate. Weather Shield reserves the right to change specifications without notice.

Weather Shield®

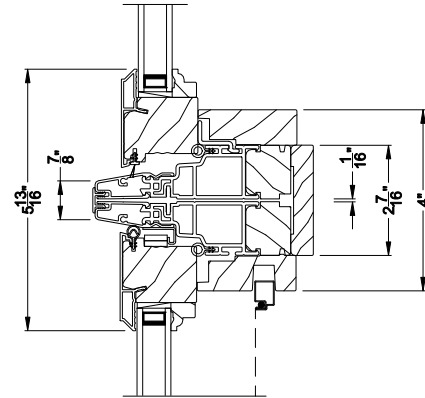
Premium Series™

Casement Windows

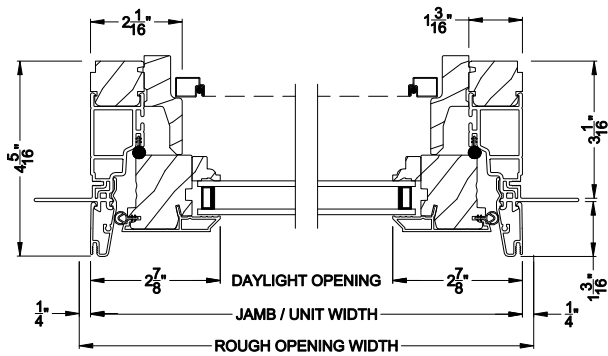
CROSS SECTION DETAILS



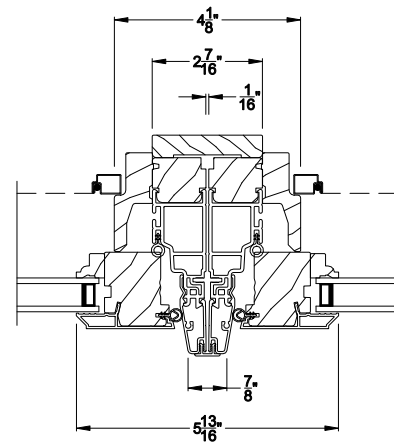
PREMIUM CASEMENT WINDOW (8211)
Vertical Section - 3-1/16" jamb



PREMIUM CASEMENT WINDOW
Horizontal Stack Section - Transom Stack over Casement

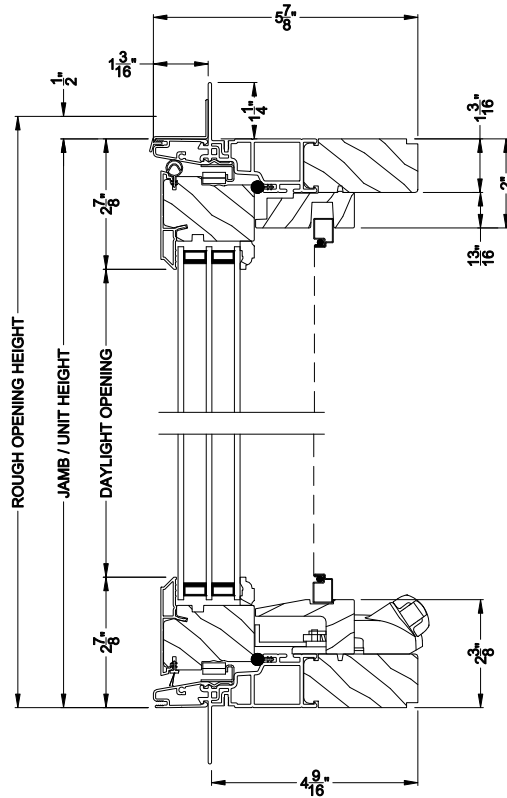


PREMIUM CASEMENT WINDOW (8211)
Horizontal Section - 3-1/16" jamb

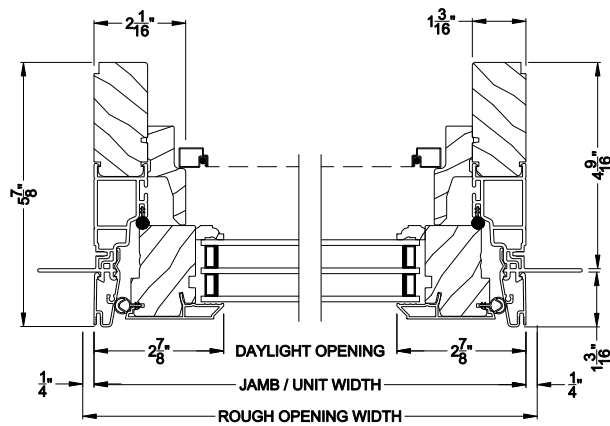


PREMIUM CASEMENT WINDOW
Vertical Mull Section

Note: All dimensions are approximate. Weather Shield reserves the right to change specifications without notice.



PREMIUM CASEMENT WINDOW (8211)
Vertical Section - Energy Sash



PREMIUM CASEMENT WINDOW (8211)
Horizontal Section - Energy Sash

Note: All dimensions are approximate. Weather Shield reserves the right to change specifications without notice.