

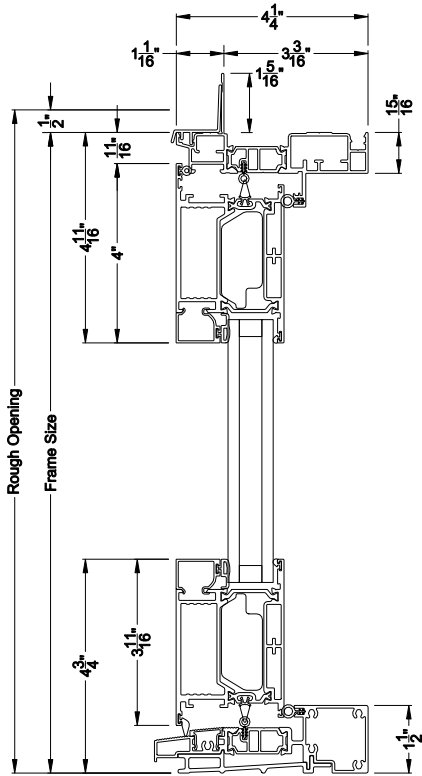
Weather Shield®

VUE Collection™

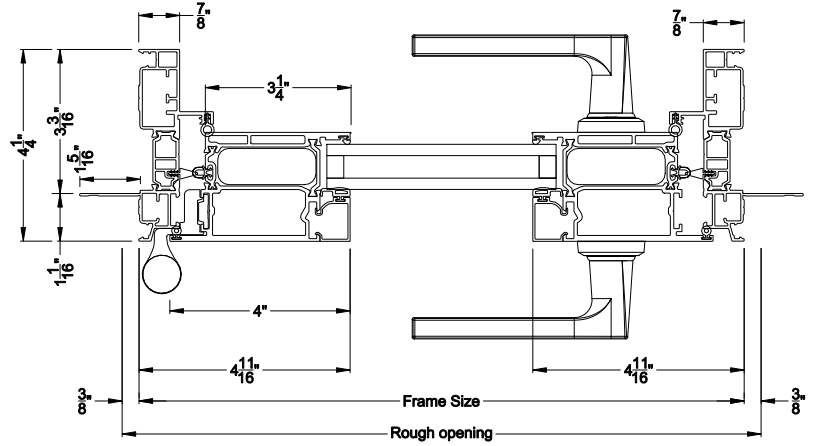
Outswing Hinged Doors

CROSS SECTION DETAILS

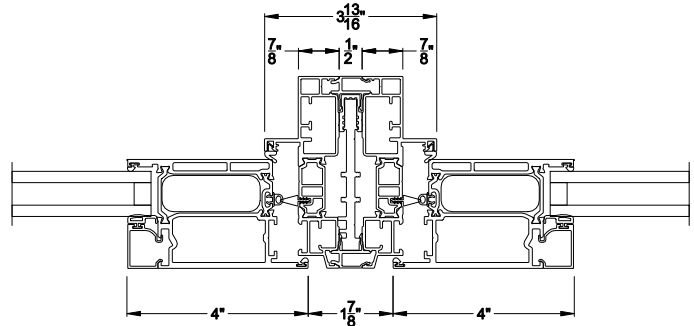
VUE COLLECTION OUTSWING HINGED DOOR (4601)
Vertical Sections - Square Bead



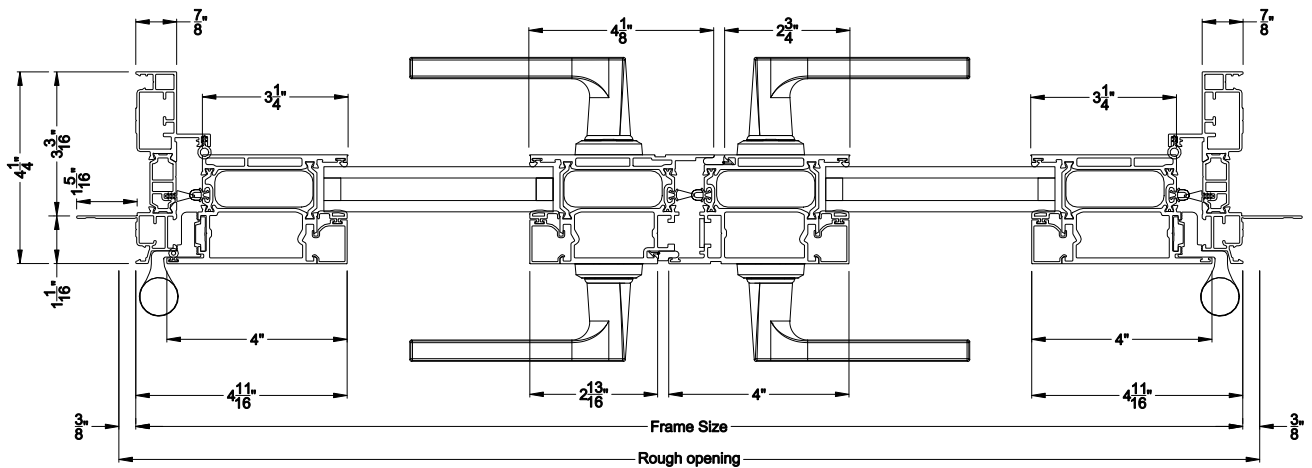
VUE COLLECTION OUTSWING HINGED DOOR (4601)
Horizontal Sections - 1- Panel - Square Bead



VUE COLLECTION OUTSWING HINGED DOOR (4601)
Mull Section - Direct Mull



VUE COLLECTION OUTSWING HINGED DOOR (4601)
Horizontal Sections - 2- Panel - Square Bead

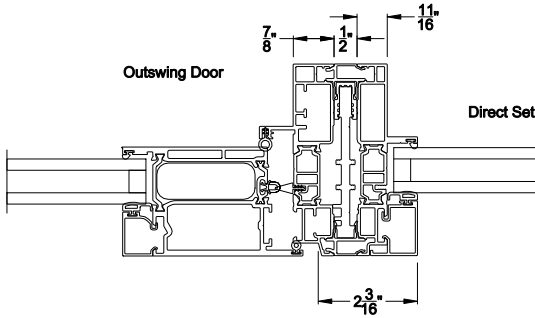


Note: All dimensions are approximate. Weather Shield reserves the right to change specifications without notice.

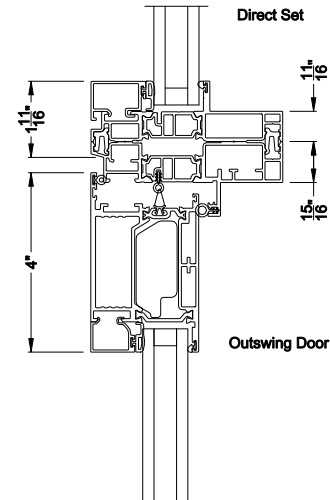
VUE COLLECTION INSWING HINGED DOOR

Mullion Sections - Square Bead

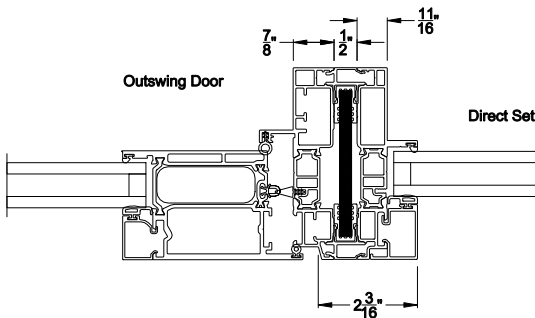
Mull Section 1/2" Aluminum Reinforcement



Stack Section Direct Stack to Direct-set

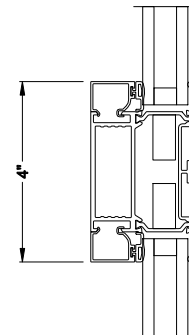


Mull Section 1/2" Steel Reinforcement



VUE COLLECTION OUTSWING HINGED DOOR (4601)

Center Rail - Square Bead



Note: All dimensions are approximate. Weather Shield reserves the right to change specifications without notice.