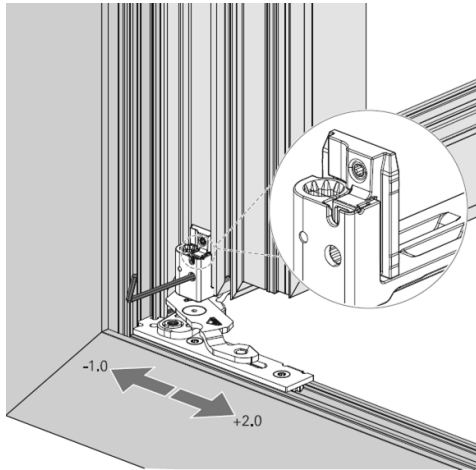


CASEMENT HARDWARE ADJUSTMENTS

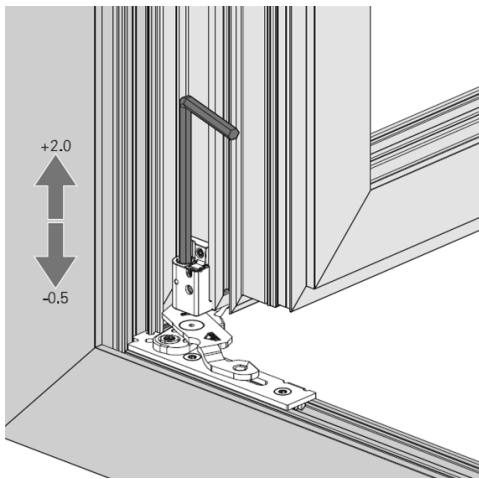
1 CASEMENT HARDWARE ADJUSTMENTS



LATERAL ADJUSTMENT (Bottom Hinge)

1. Open window 90 degrees.
2. Using a 4mm hex key, adjust the sash until the reveal to the frame is even on both sides.

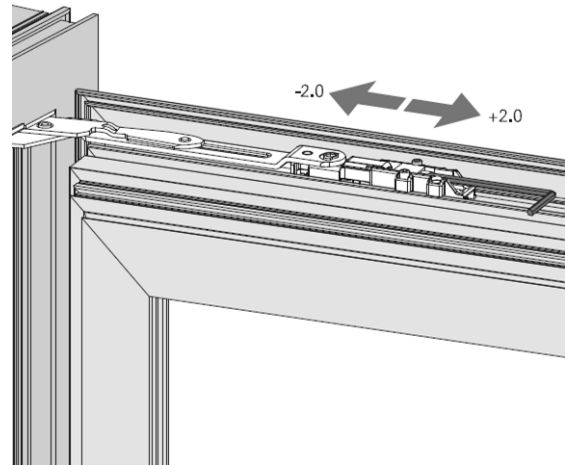
3 CASEMENT HARDWARE ADJUSTMENTS



HEIGHT ADJUSTMENT (Bottom Hinge)

1. Open window 90 degrees.
2. Using a 4mm hex key, adjust the sash until the reveal to the frame is even.

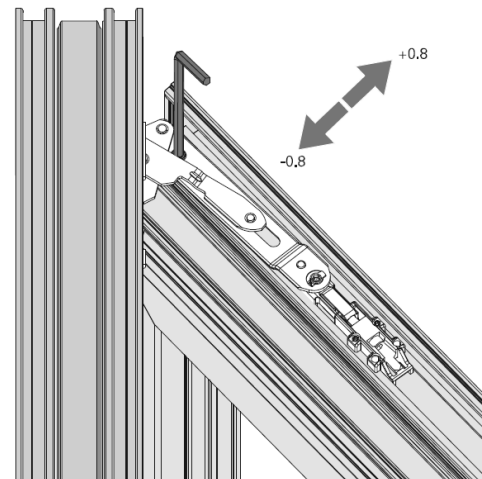
2 CASEMENT HARDWARE ADJUSTMENTS



LATERAL ADJUSTMENT (Top Hinge)

1. Open window 90 degrees.
2. Using a 4mm hex key, adjust the sash until the reveal to the frame is even on both sides.
- 3.

4 CASEMENT HARDWARE ADJUSTMENTS



GASKET COMPRESSION (Top Hinge)

3. Open window to about 30 degrees.
4. Using a 4mm hex key, adjust the sash until it compresses the perimeter gasket when locked.