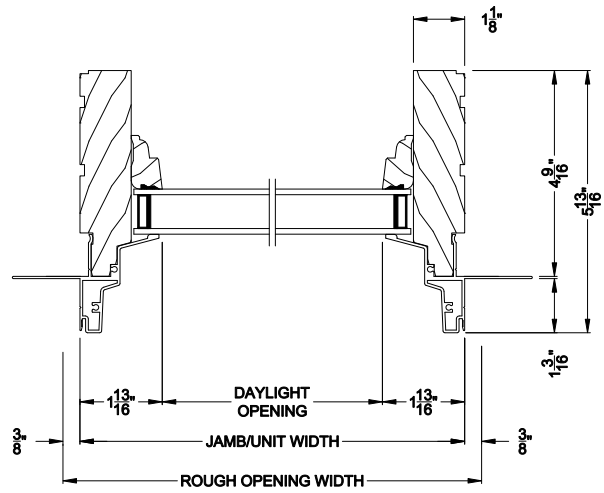
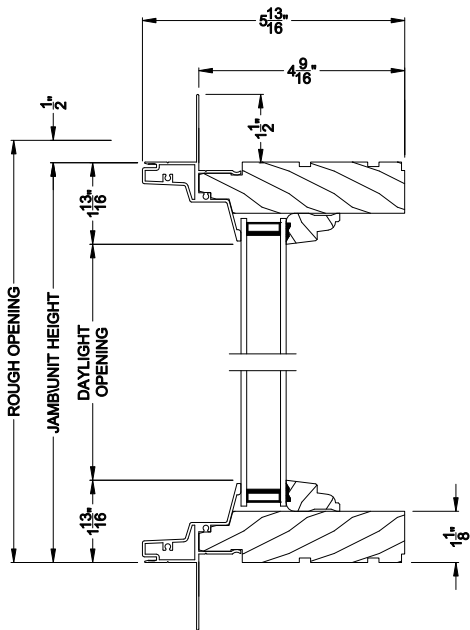


# Weather Shield®

## Signature Series™

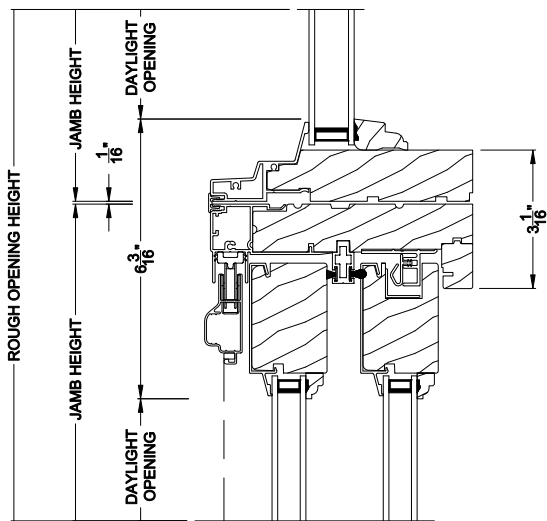
# Sliding Door Transom

## CROSS SECTION DETAILS

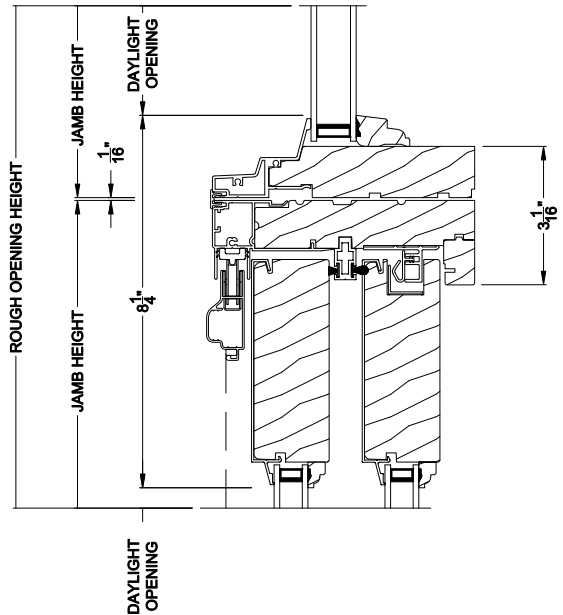


**SIGNATURE SLIDING DOOR TRANSOM (8300)**  
Horizontal Section

**SIGNATURE SLIDING DOOR TRANSOM (8300)**  
Vertical Section



**SIGNATURE SLIDING DOOR TRANSOM (8300)**  
Horizontal Stack Section - Transom stack over Sliding door



**SIGNATURE SLIDING DOOR TRANSOM (8300)**  
Horizontal Stack Section - Transom stack over French Sliding door

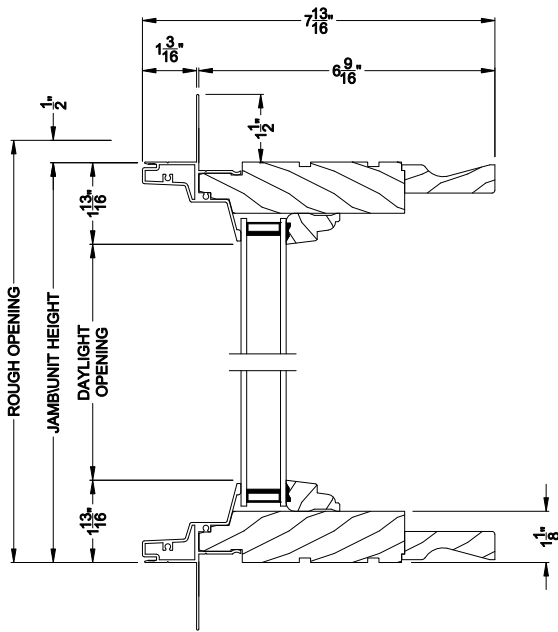
Note: All dimensions are approximate. Weather Shield reserves the right to change specifications without notice.

# Weather Shield®

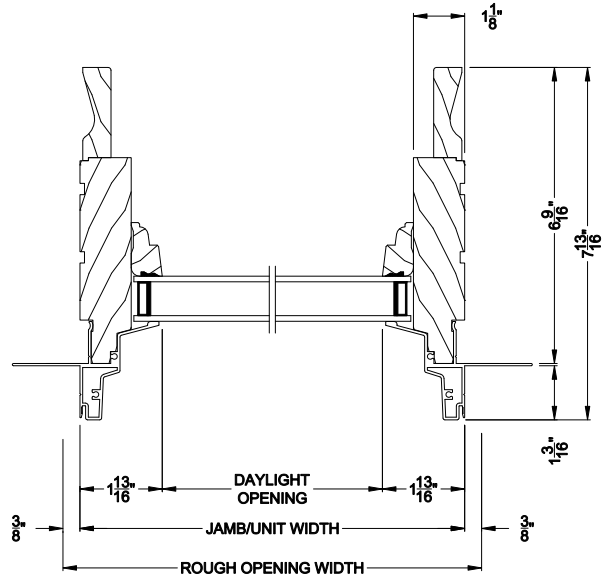
## Premium Series™

# Sliding Door Transom

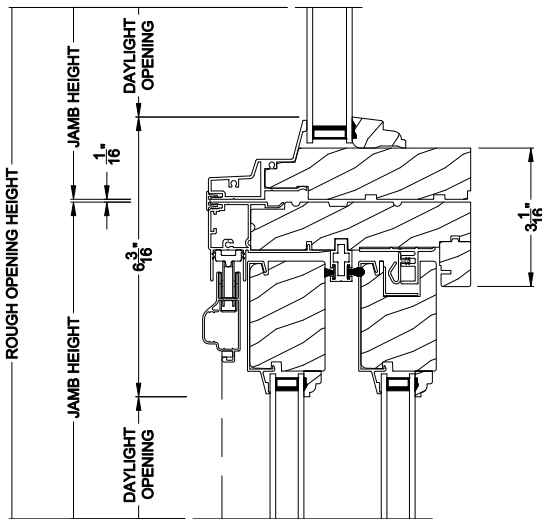
## CROSS SECTION DETAILS



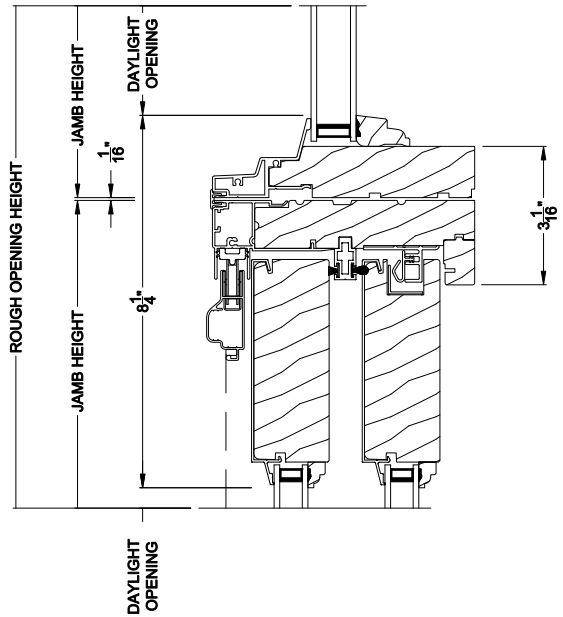
**PREMIUM SLIDING DOOR TRANSOM (8300)**  
Vertical Section - 6-9/16" Jamb



**PREMIUM SLIDING DOOR TRANSOM (8300)**  
Horizontal Section - 6-9/16" Jamb



**PREMIUM SLIDING DOOR TRANSOM (8300)**  
Horizontal Stack Section - Transom stack over Sliding door



**PREMIUM SLIDING DOOR TRANSOM (8300)**  
Horizontal Stack Section - Transom stack over French Sliding door

Note: All dimensions are approximate. Weather Shield reserves the right to change specifications without notice.