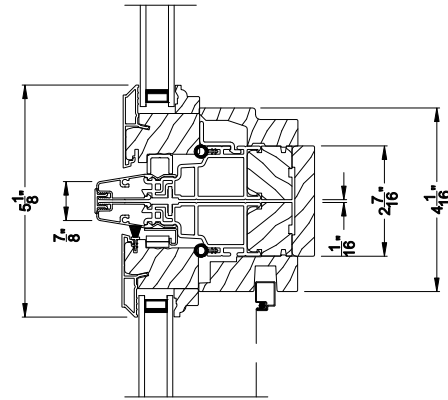
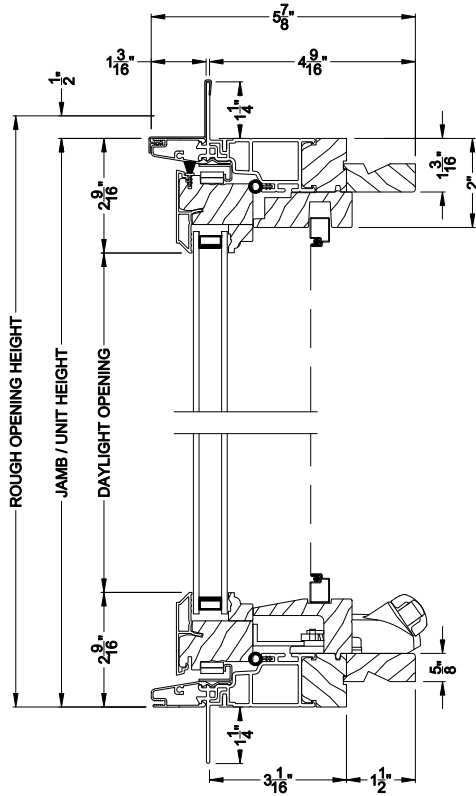


Weather Shield®

Signature Series™

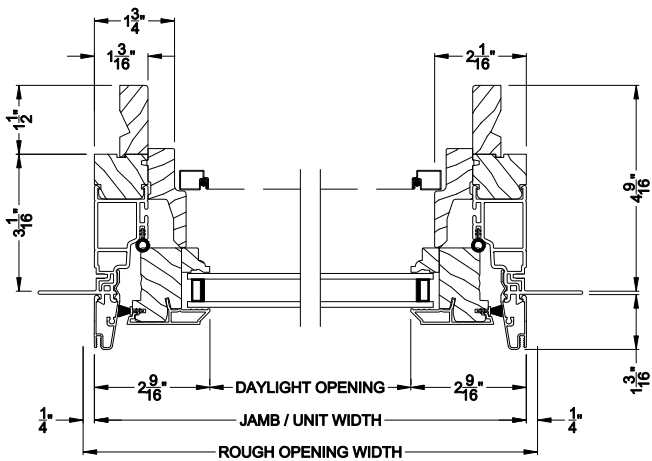
Casement Windows

CROSS SECTION DETAILS

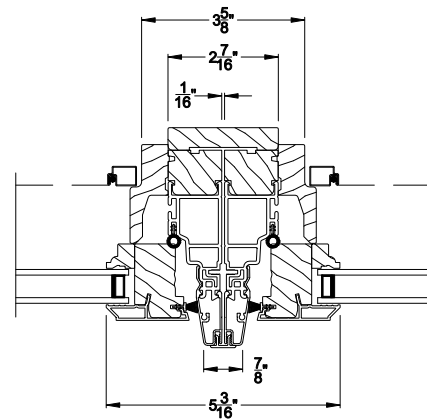


SIGNATURE CASEMENT WINDOW
Horizontal Stack Section - Transom Stack over Casement

SIGNATURE CASEMENT WINDOW (8219)
Vertical Section



SIGNATURE CASEMENT WINDOW (8219)
Horizontal Section



SIGNATURE CASEMENT WINDOW
Vertical Mull Section

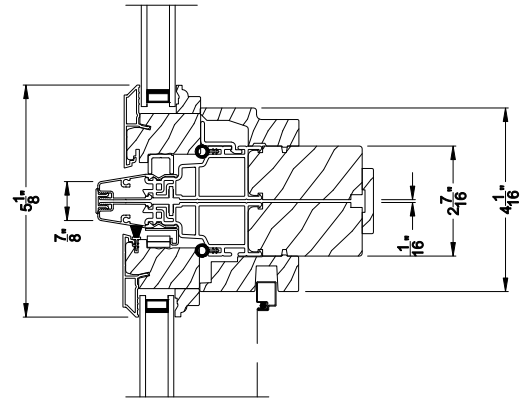
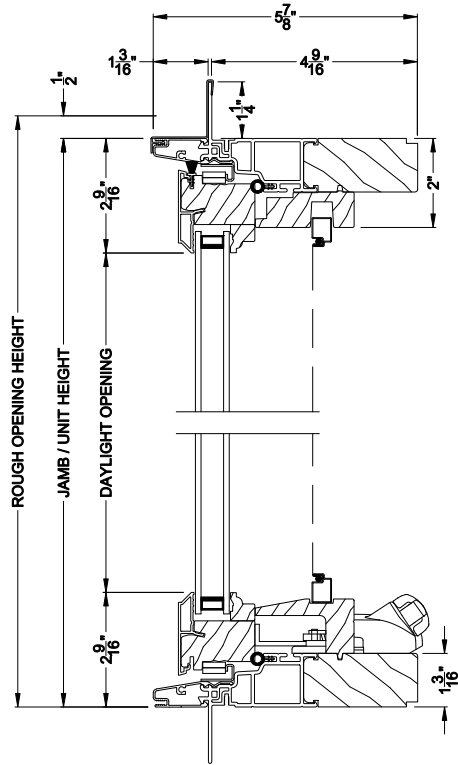
Note: All dimensions are approximate. Weather Shield reserves the right to change specifications without notice.

Weather Shield®

Signature Series™

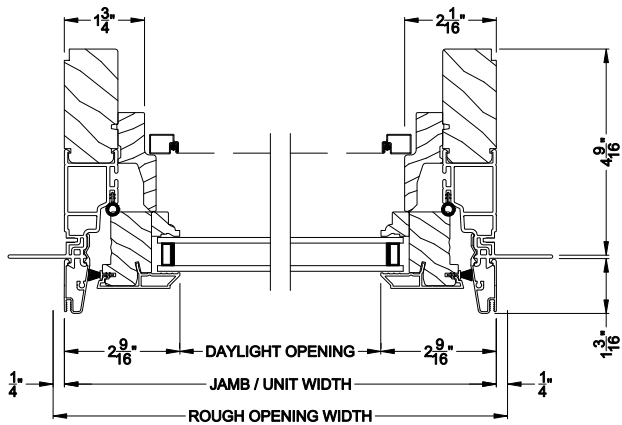
Casement Windows

CROSS SECTION DETAILS

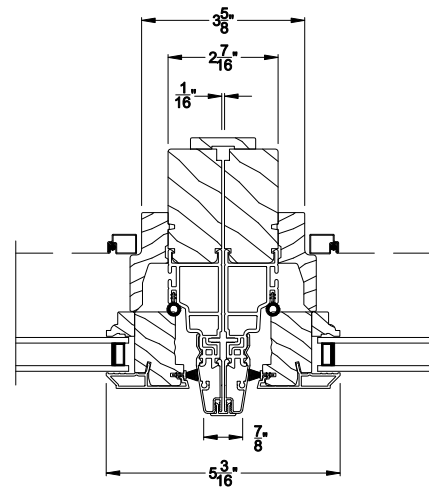


SIGNATURE CASEMENT WINDOW
Horizontal Stack Section - Transom Stack over Casement

SIGNATURE CASEMENT WINDOW (8219)
Vertical Section - 5/4 Jamb



SIGNATURE CASEMENT WINDOW (8219)
Horizontal Section - 5/4 Jamb



SIGNATURE CASEMENT WINDOW
Vertical Mull Section

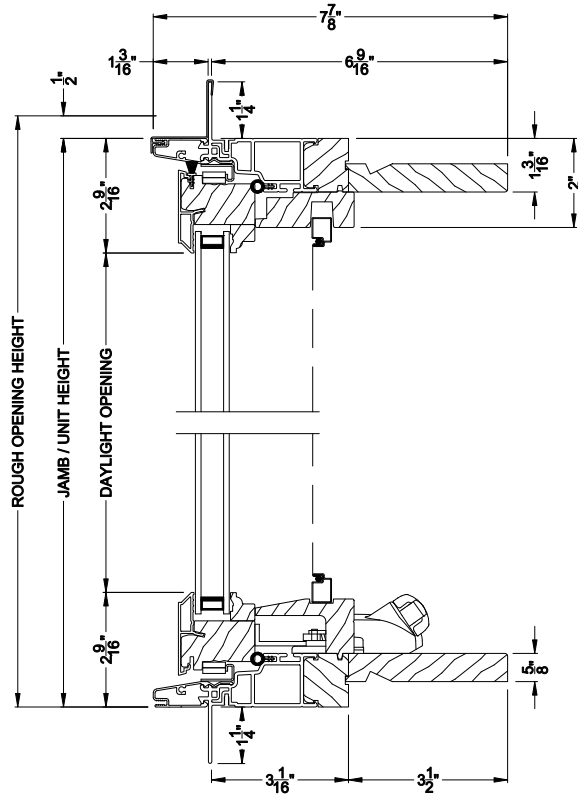
Note: All dimensions are approximate. Weather Shield reserves the right to change specifications without notice.

Weather Shield®

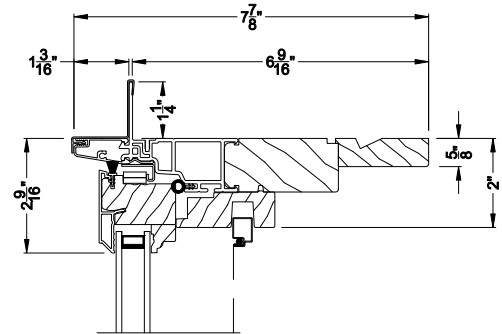
Signature Series™

Casement Windows

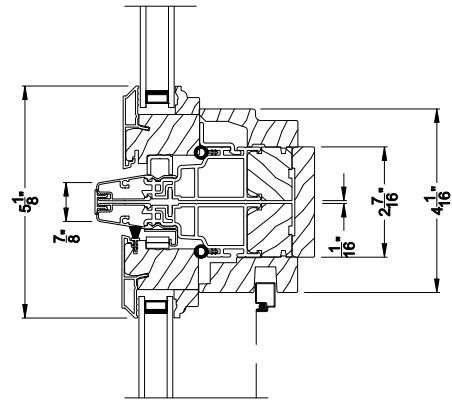
CROSS SECTION DETAILS



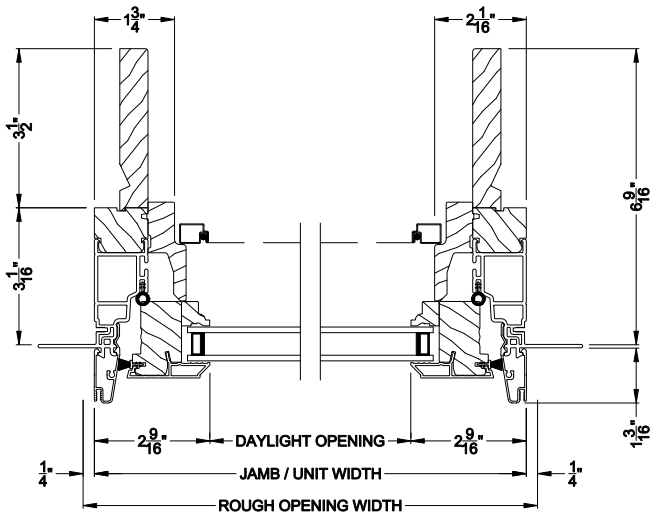
SIGNATURE CASEMENT WINDOW (8219)
Vertical Section - 6-9/16" jamb



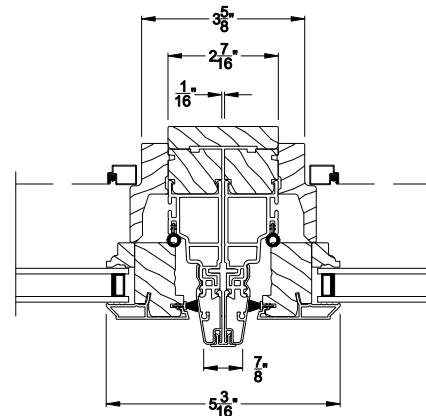
SIGNATURE CASEMENT WINDOW
Vertical Section - 5/4 jamb option with extension



SIGNATURE CASEMENT WINDOW
Horizontal Stack Section - Transom Stack over Casement



SIGNATURE CASEMENT WINDOW (8219)
Horizontal Section - 6-9/16" jamb



SIGNATURE CASEMENT WINDOW
Vertical Mull Section

Note: All dimensions are approximate. Weather Shield reserves the right to change specifications without notice.