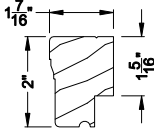
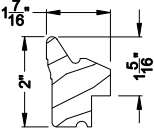
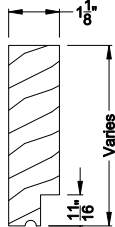
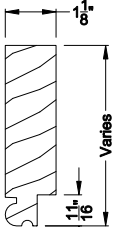
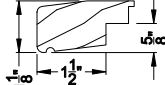
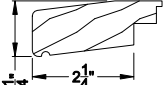
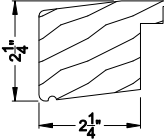
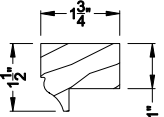
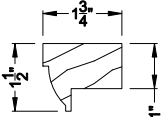
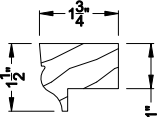
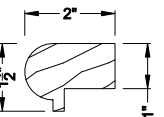
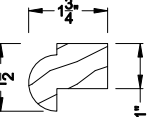
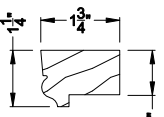
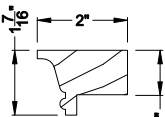
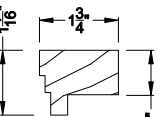
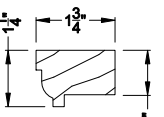


Weather Shield®

Premium Wood Series™

Exterior Trim

CROSS SECTION DETAILS

EXTERIOR TRIM PROFILE	 <p>Brickmould</p>	 <p>Stucco Mould</p>	 <p>Flat Casing</p>	 <p>Beaded Casing</p>	
SILLNOSE PROFILES	The below sill nose are compatible with the above trim				
EXTERIOR TRIM PROFILE	 <p>Standard Sillnose</p>	 <p>Extended Sillnose</p>	 <p>New England Sillnose</p>		
SILLNOSE PROFILES	The below sill nose are compatible with the above trim				
BACK BANDS	 <p>Back Band #9526</p>	 <p>Back Band #9528</p>	 <p>Back Band #9529</p>	 <p>Back Band #9530</p>	 <p>Back Band #9531</p>
	 <p>Back Band #9532</p>	 <p>Back Band #9533</p>	 <p>Back Band #9534</p>	 <p>Back Band #9535</p>	

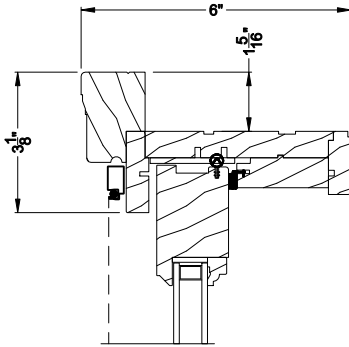
Note: All dimensions are approximate. Weather Shield reserves the right to change specifications without notice.

Weather Shield®

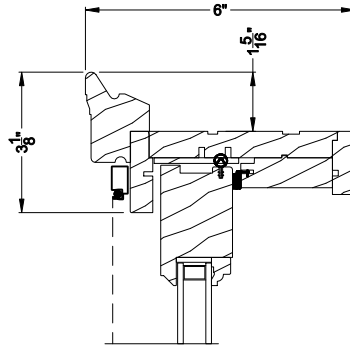
Premium Wood Series™

Trim Applications Exterior

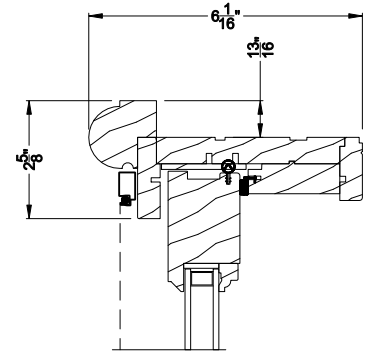
CROSS SECTION DETAILS



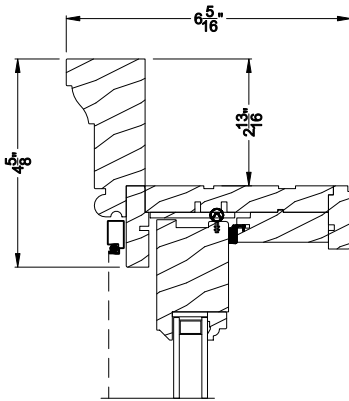
BRICKMOULD
Head Section Detail



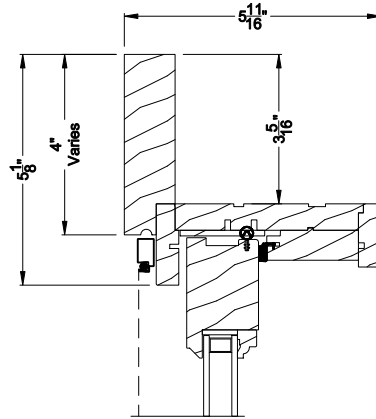
STUCCO MOULD
Head Section Detail



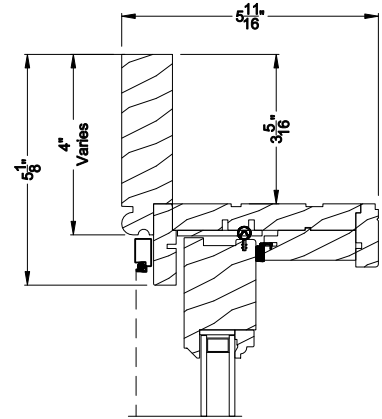
BALTIMORE BULLNOSE
Head Section Detail



MID ATLANTIC CASING
Head Section Detail



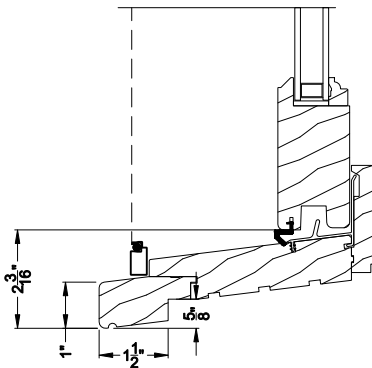
FLAT CASING
Head Section Detail



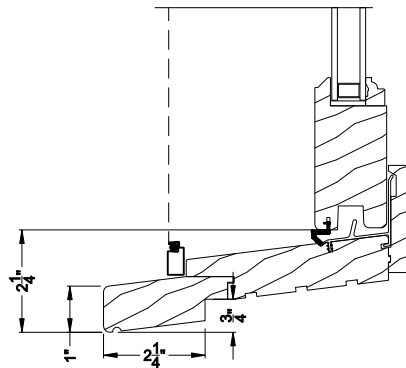
BEADED CASING
Head Section Detail

** Flat & Beaded Casing Height for Rectangular Units ranges between 2" to 6"

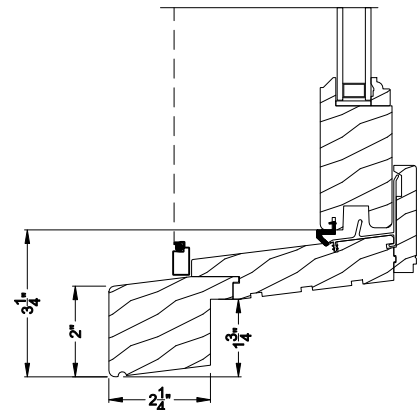
*** Flat & Beaded Casing Height for Radius Units ranges between 2" to 4"



STANDARD SILL NOSE
Sill Section Detail



EXTENDED SILL NOSE
Sill Section Detail



NEW ENGLAND SILL NOSE
Sill Section Detail

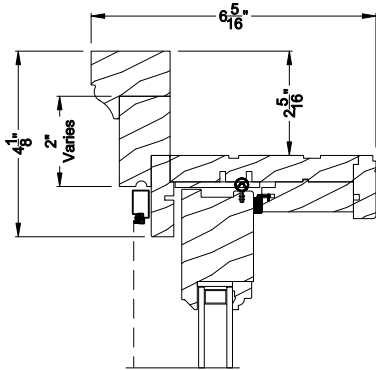
Note: All dimensions are approximate. Weather Shield reserves the right to change specifications without notice.

Weather Shield®

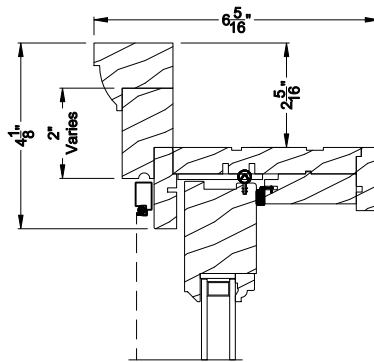
Premium Wood Series™

Trim Applications Exterior

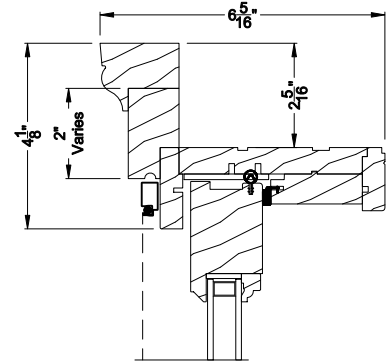
CROSS SECTION DETAILS



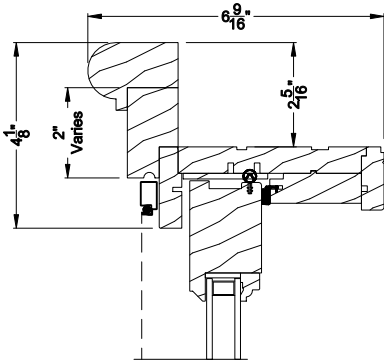
**FLAT CASING
w/ BACK BAND #9526**
Head Section Detail



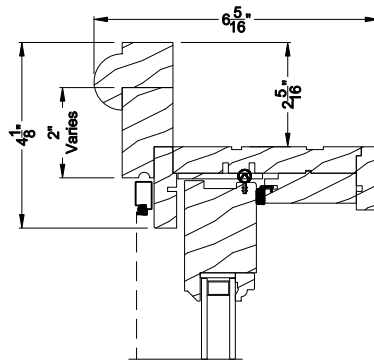
**FLAT CASING
w/ BACK BAND #9528**
Head Section Detail



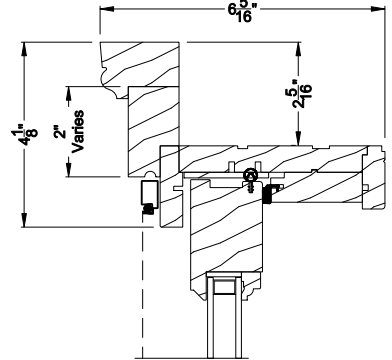
**FLAT CASING
w/ BACK BAND #9529**
Head Section Detail



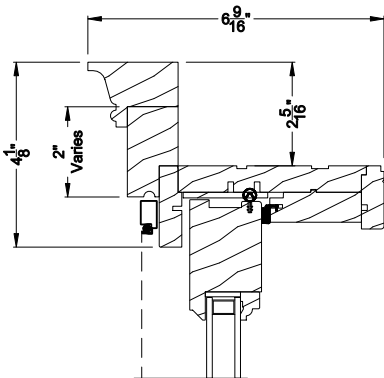
**FLAT CASING
w/ BACK BAND #9530**
Head Section Detail



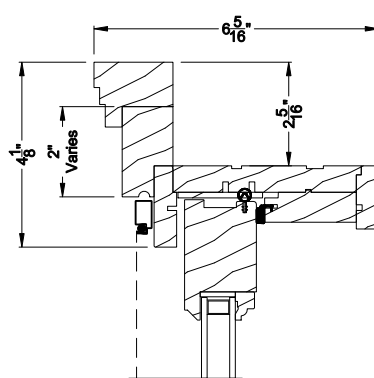
**FLAT CASING
w/ BACK BAND #9531**
Head Section Detail



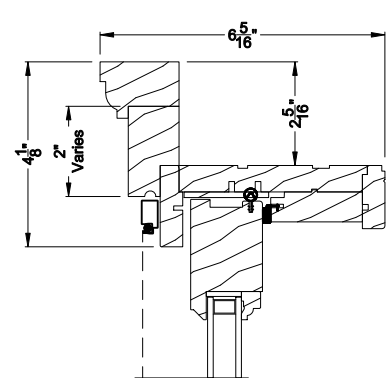
**FLAT CASING
w/ BACK BAND #9532**
Head Section Detail



**FLAT CASING
w/ BACK BAND #9533**
Head Section Detail



**FLAT CASING
w/ BACK BAND #9534**
Head Section Detail



**FLAT CASING
w/ BACK BAND #9535**
Head Section Detail

** Casing Height for Standard Units ranges between 2" to 6"

*** Casing Height for Radius Units ranges between 2" to 4"

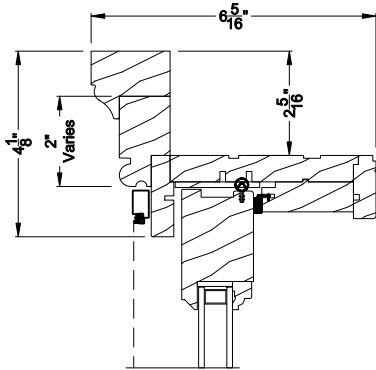
Note: All dimensions are approximate. Weather Shield reserves the right to change specifications without notice.

Weather Shield®

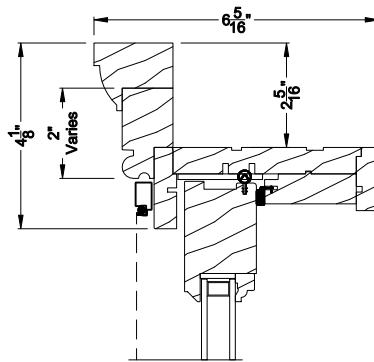
Premium Wood Series™

Trim Applications Exterior

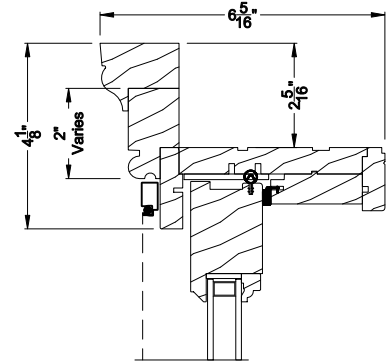
CROSS SECTION DETAILS



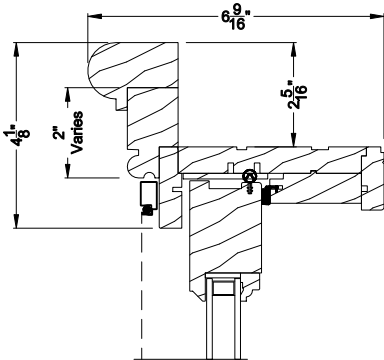
**BEADED CASING
w/ BACK BAND #9526**
Head Section Detail



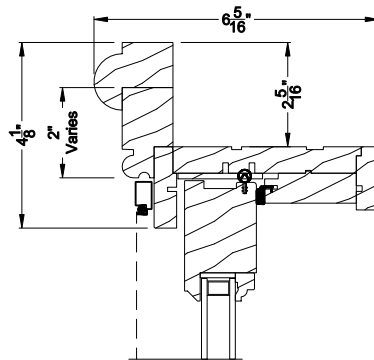
**BEADED CASING
w/ BACK BAND #9528**
Head Section Detail



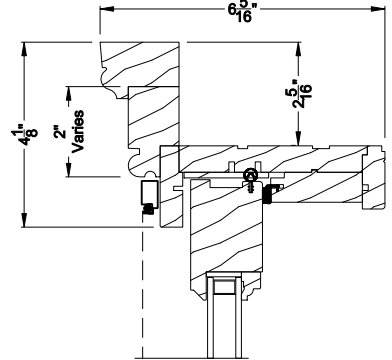
**BEADED CASING
w/ BACK BAND #9529**
Head Section Detail



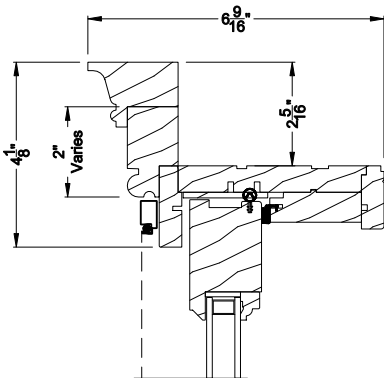
**BEADED CASING
w/ BACK BAND #9530**
Head Section Detail



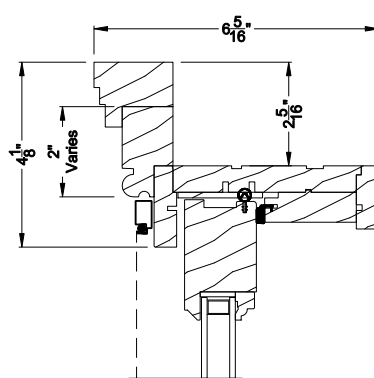
**BEADED CASING
w/ BACK BAND #9531**
Head Section Detail



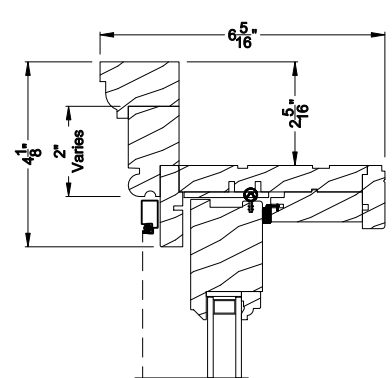
**BEADED CASING
w/ BACK BAND #9532**
Head Section Detail



**BEADED CASING
w/ BACK BAND #9533**
Head Section Detail



**BEADED CASING
w/ BACK BAND #9534**
Head Section Detail



**BEADED CASING
w/ BACK BAND #9535**
Head Section Detail

** Casing Height for Standard Units ranges between 2" to 6"

*** Casing Height for Radius Units ranges between 2" to 4"

Note: All dimensions are approximate. Weather Shield reserves the right to change specifications without notice.