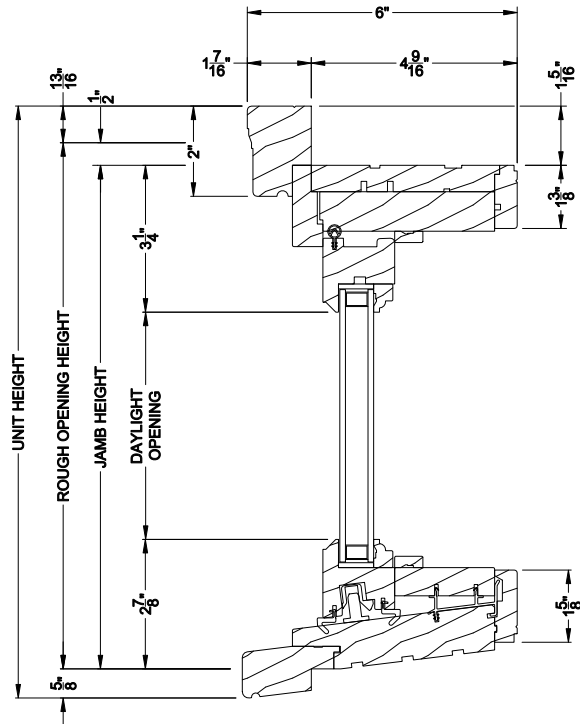


Weather Shield®

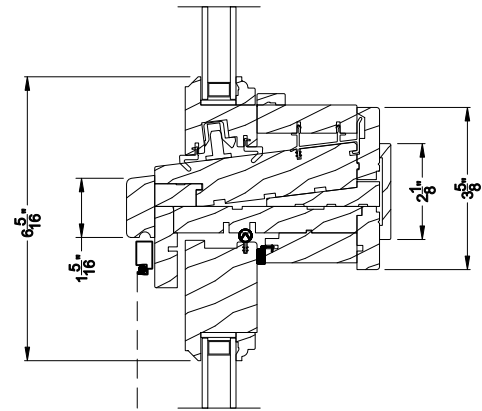
Premium Wood Series™

Double Hung Windows

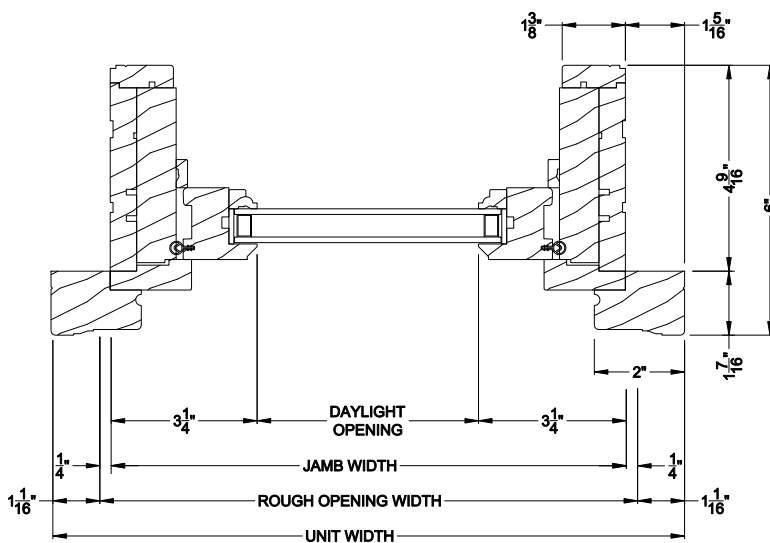
CROSS SECTION DETAILS



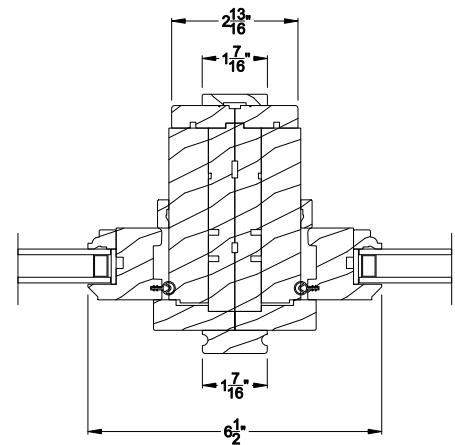
PREMIUM WOOD DOUBLE HUNG TRANSOM (6121)
Vertical Section



PREMIUM WOOD DOUBLE HUNG WINDOW
Horizontal Stack Section - Transom Stack over DH



PREMIUM WOOD DOUBLE HUNG TRANSOM (6121)
Horizontal Section



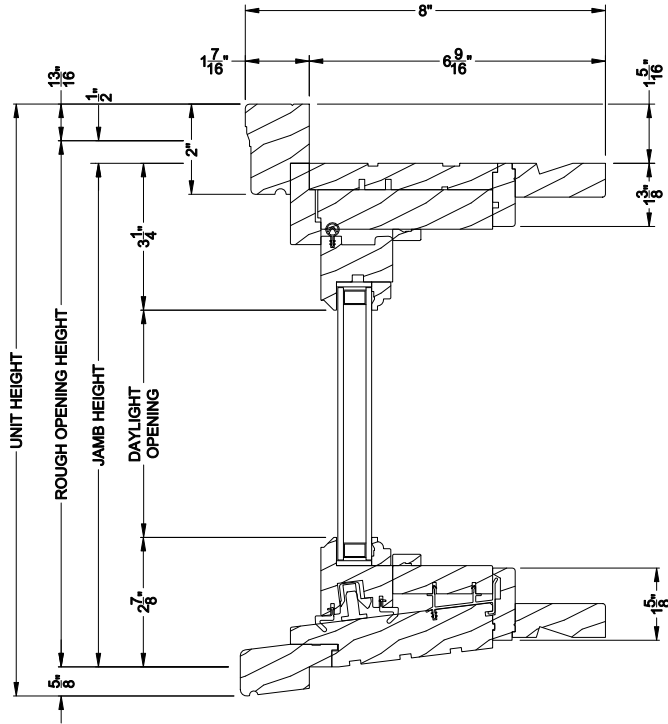
PREMIUM WOOD DOUBLE HUNG TRANSOM
Vertical Mull Section - Tran / Tran

Weather Shield®

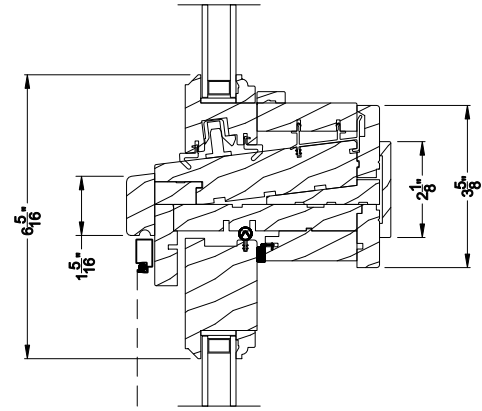
Premium Wood Series™

Double Hung Windows

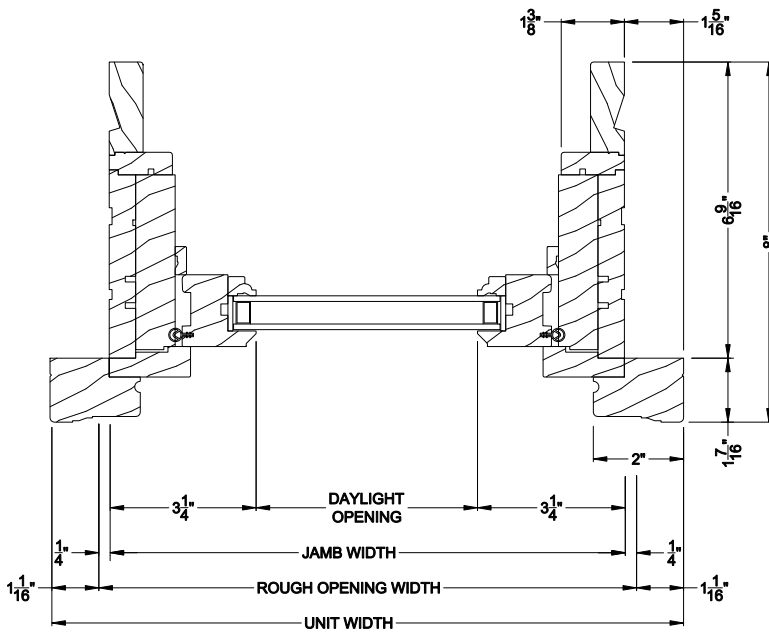
CROSS SECTION DETAILS



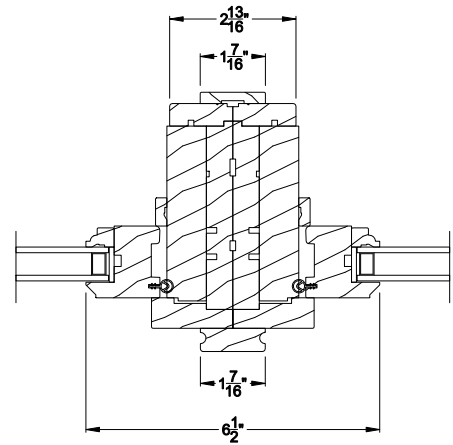
PREMIUM WOOD DOUBLE HUNG TRANSOM (6121)
Vertical Section - 6 9/16" Jamb



PREMIUM WOOD DOUBLE HUNG WINDOW
Horizontal Stack Section - Transom Stack over DH



PREMIUM WOOD DOUBLE HUNG TRANSOM (6121)
Horizontal Section - 6 9/16" Jamb



PREMIUM WOOD DOUBLE HUNG TRANSOM
Vertical Mull Section - Tran / Tran