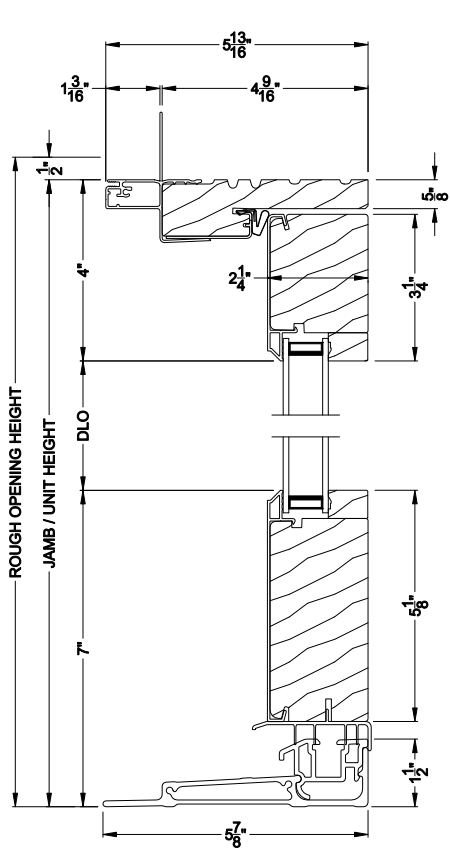


Weather Shield®

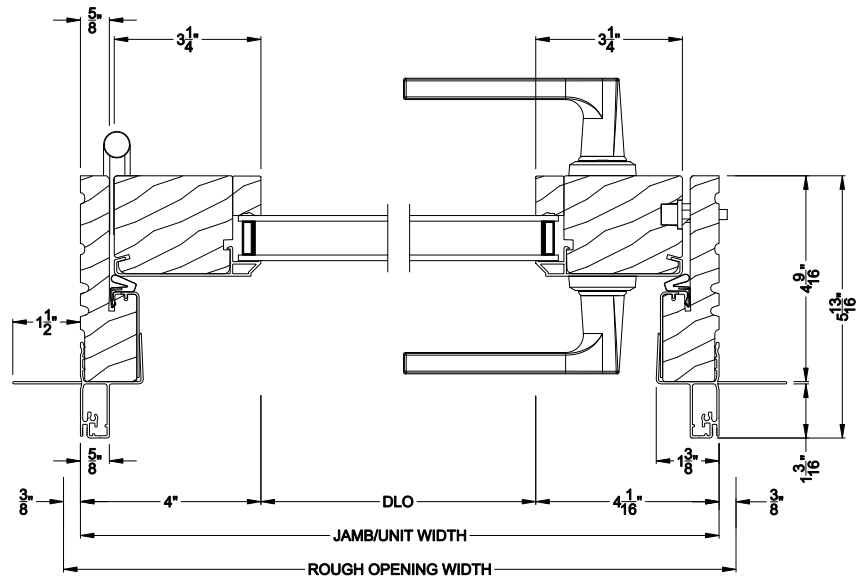
Contemporary Collection™

Hinged Patio Doors

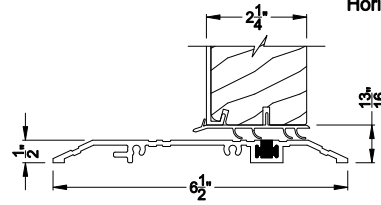
CROSS SECTION DETAILS



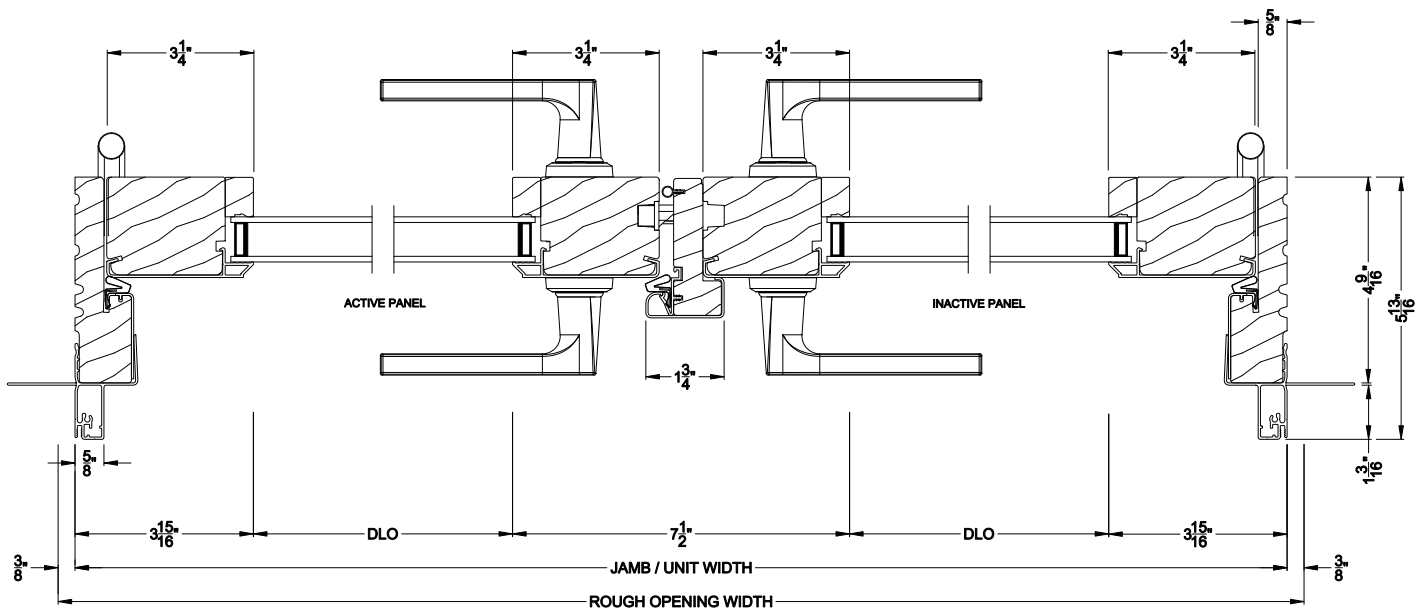
CONTEMPORARY INSWING DOOR (8517)
Vertical Section - 5-1/8" Bottom Rail



CONTEMPORARY INSWING DOOR (8517)
Horizontal Section - Single Door



CONTEMPORARY INSWING DOOR (8517)
Vertical Section - ADA Sill

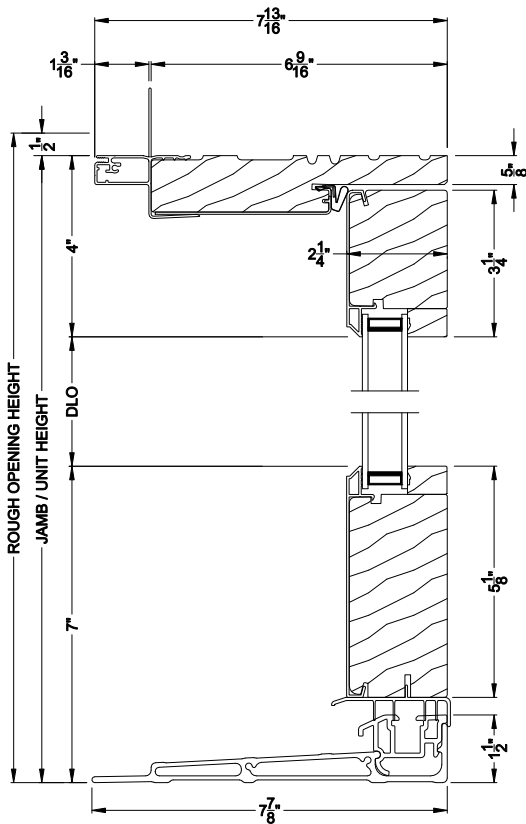


CONTEMPORARY INSWING DOOR (8517)
Horizontal Section - Double Door

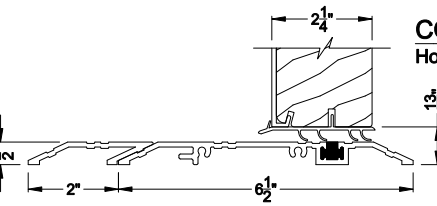
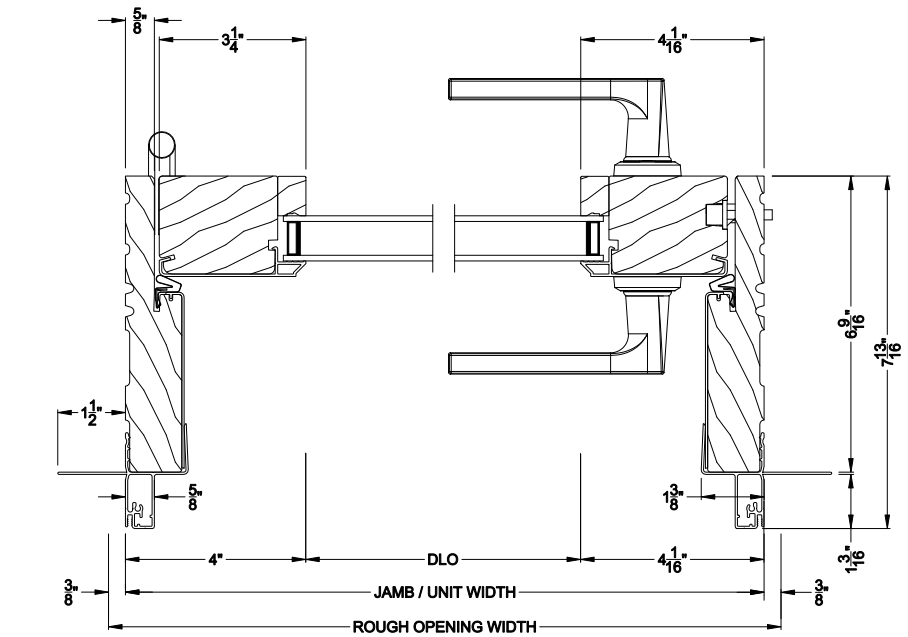
Note: All dimensions are approximate. Weather Shield reserves the right to change specifications without notice.

Weather Shield® Contemporary Collection™

Hinged Patio Doors CROSS SECTION DETAILS

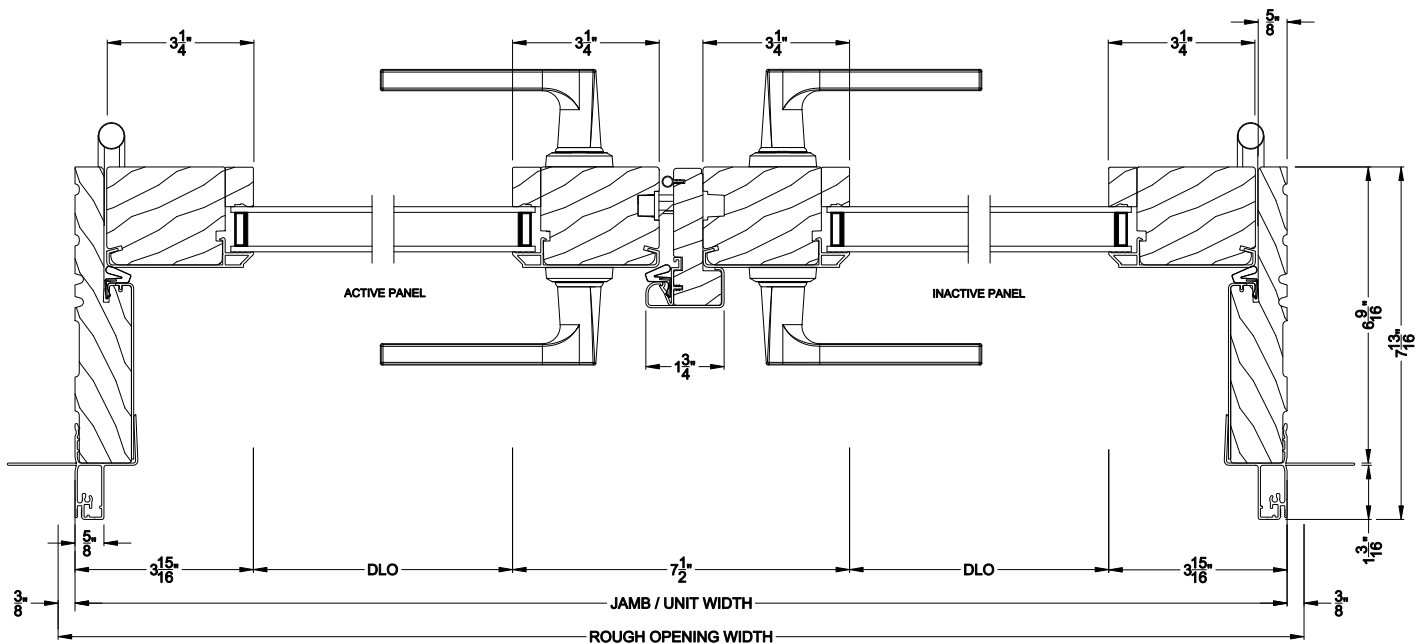


CONTEMPORARY INSWING DOOR (8517)
Vertical Section - 6-9/16" jamb



CONTEMPORARY INSWING DOOR (8517)
Horizontal Section - Single Door - 6-9/16" jamb

CONTEMPORARY INSWING DOOR (8517)
Vertical Section - ADA Sill - 6-9/16" jamb

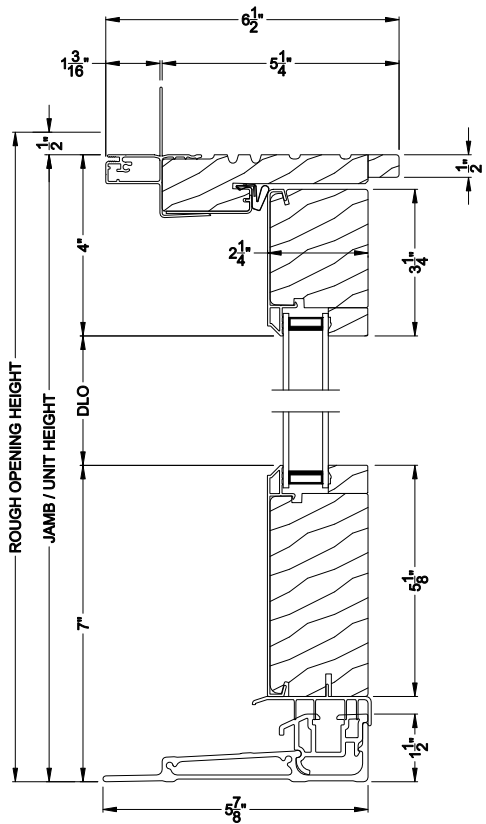


CONTEMPORARY INSWING DOOR (8517)
Horizontal Section - Double Door - 6-9/16" jamb

Note: All dimensions are approximate. Weather Shield reserves the right to change specifications without notice.

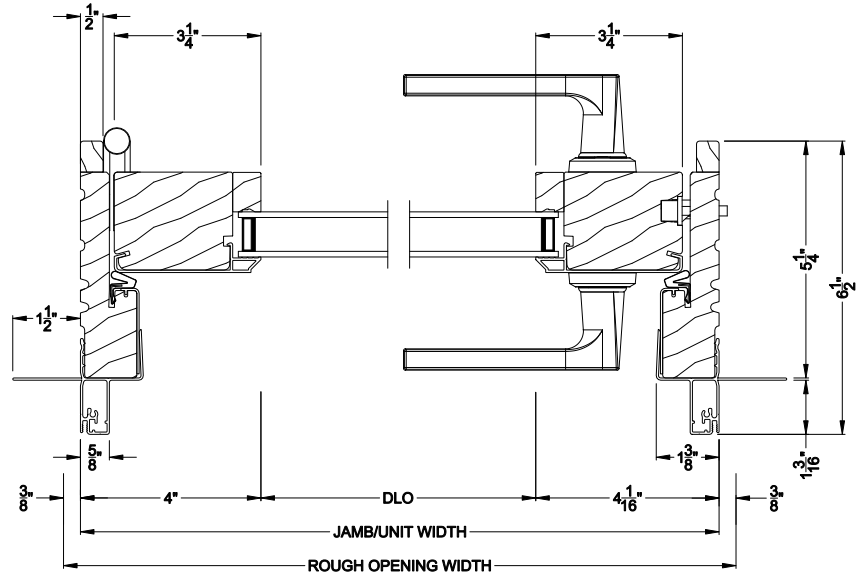
Weather Shield® Contemporary Collection™

Hinged Patio Doors CROSS SECTION DETAILS

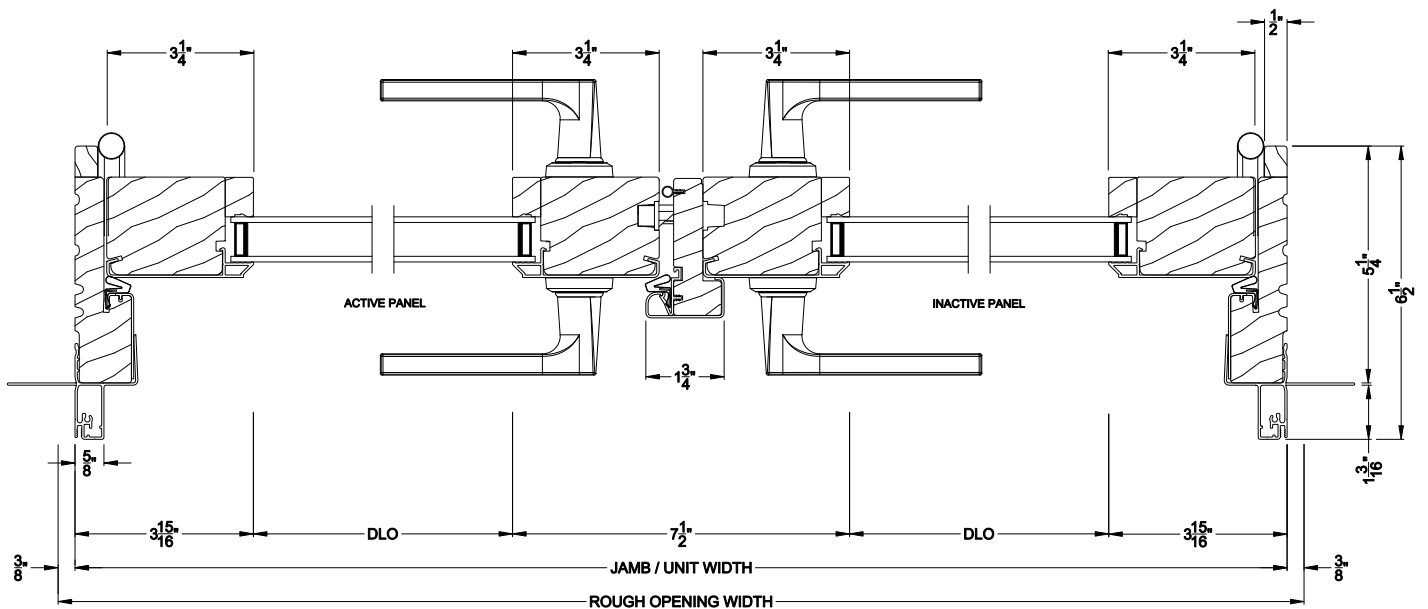


CONTEMPORARY INSWING DOOR (8517)
Vertical Section - 5-1/8" Bottom Rail - Jamb extended

Jamb extensions will be applied to all jams except 4-9/16" and 6-9/16" up to the maximum 7-1/4" jamb. Doors between 5-5/16" & 6-1/2" jamb depth will not open 180 degrees.



CONTEMPORARY INSWING DOOR (8517)
Horizontal Section - Single Door - Jamb extended



CONTEMPORARY INSWING DOOR (8517)
Horizontal Section - Double Door - Jamb extended

Note: All dimensions are approximate. Weather Shield reserves the right to change specifications without notice.