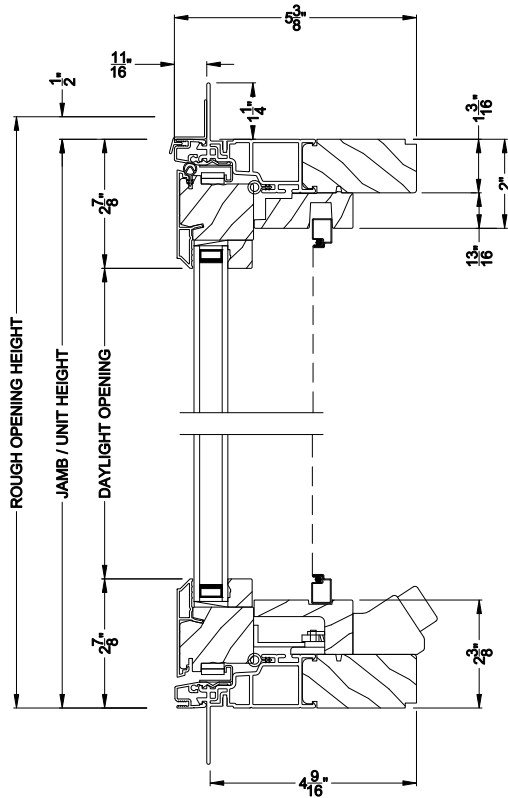


Weather Shield®

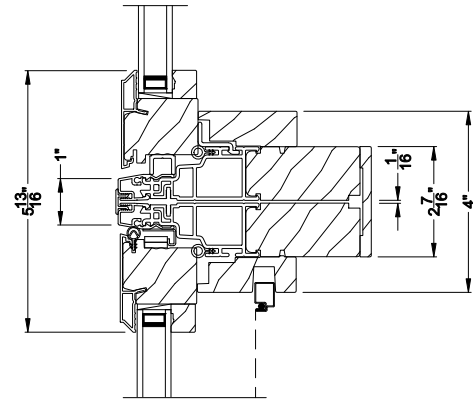
Contemporary Collection™

Casement Windows

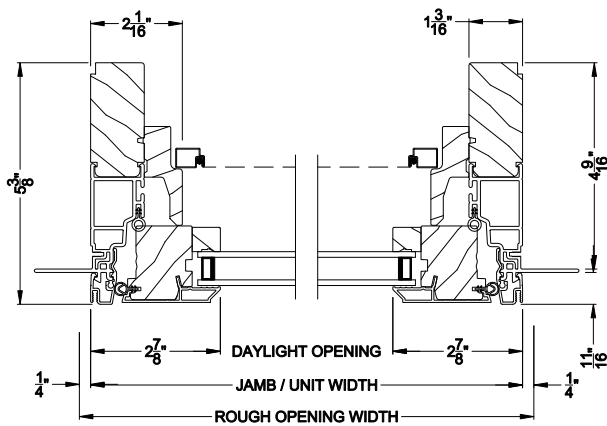
CROSS SECTION DETAILS



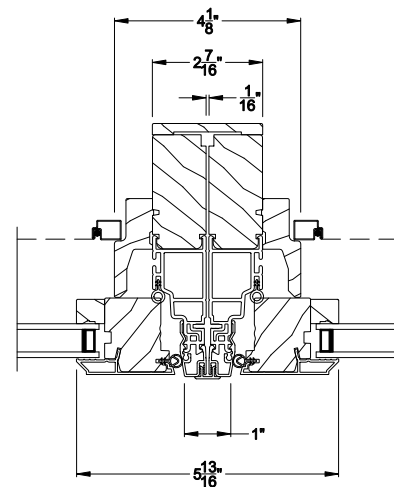
CONTEMPORARY CASEMENT WINDOW (8216)
Vertical Section - Flush Frame



CONTEMPORARY CASEMENT WINDOW
Horizontal Stack Section - Transom Stack over Casement



CONTEMPORARY CASEMENT WINDOW (8216)
Horizontal Section - Flush Frame



CONTEMPORARY CASEMENT WINDOW
Vertical Mull Section

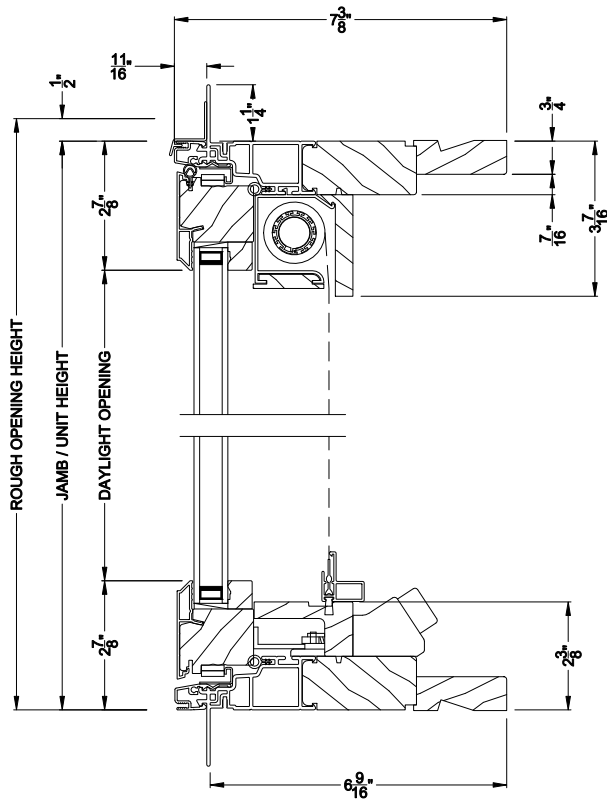
Note: All dimensions are approximate. Weather Shield reserves the right to change specifications without notice.

Weather Shield®

Contemporary Collection™

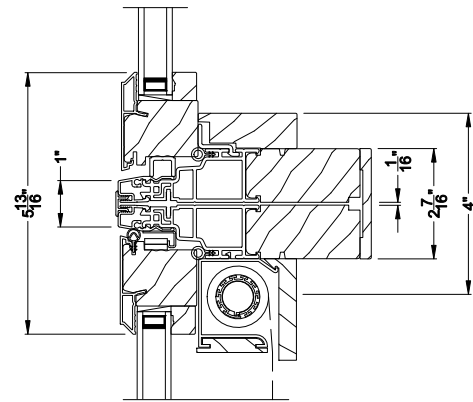
Casement Windows

CROSS SECTION DETAILS



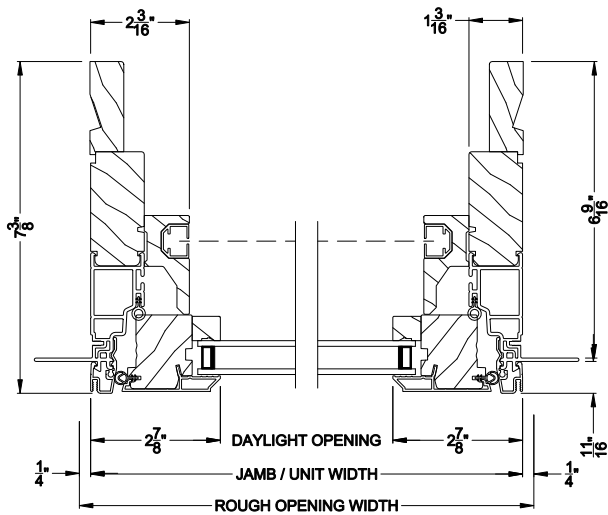
Shown with Optional Retractable Screen

CONTEMPORARY CASEMENT WINDOW (8216)
Vertical Section - Flush Frame - 6-9/16" jamb



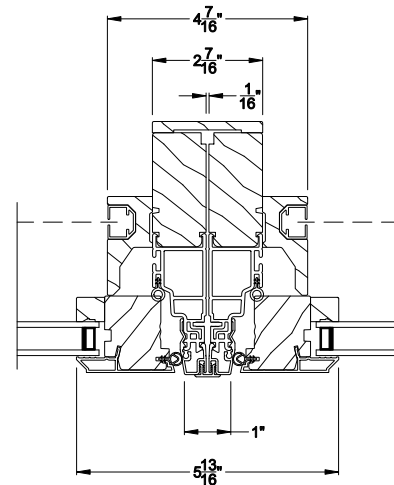
Shown with Optional Retractable Screen

CONTEMPORARY CASEMENT WINDOW
Horizontal Stack Section - Transom Stack over Casement



Shown with Optional Retractable Screen

CONTEMPORARY CASEMENT WINDOW (8216)
Horizontal Section - Flush Frame - 6-9/16" jamb



Shown with Optional Retractable Screen

CONTEMPORARY CASEMENT WINDOW
Vertical Mull Section

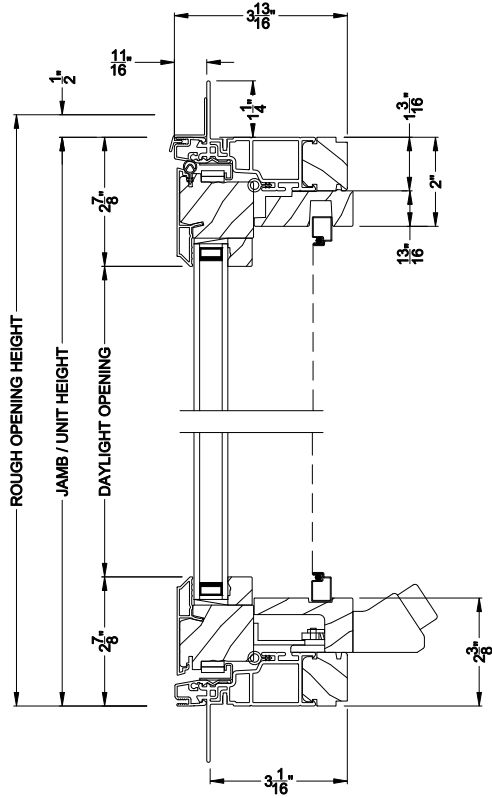
Note: All dimensions are approximate. Weather Shield reserves the right to change specifications without notice.

Weather Shield®

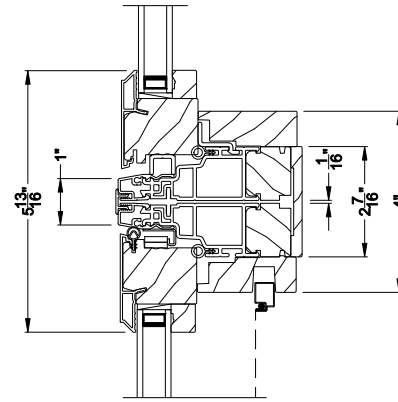
Contemporary Collection™

Casement Windows

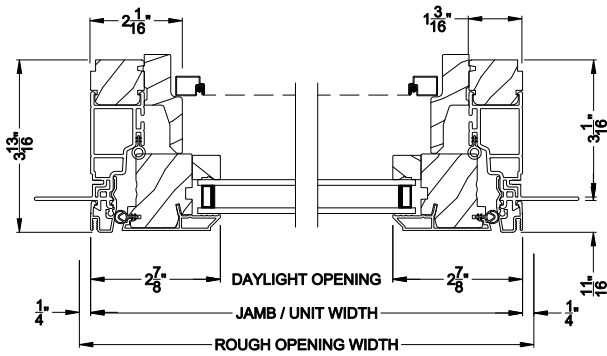
CROSS SECTION DETAILS



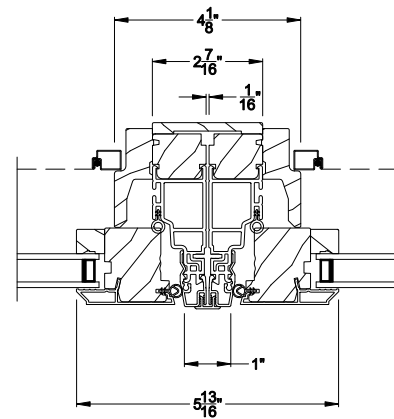
CONTEMPORARY CASEMENT WINDOW (8216)
Vertical Section - Flush Frame - 3-1/16" jamb



CONTEMPORARY CASEMENT WINDOW
Horizontal Stack Section - Transom Stack over Casement



CONTEMPORARY CASEMENT WINDOW (8216)
Horizontal Section - Flush Frame - 3-1/16" jamb



CONTEMPORARY CASEMENT WINDOW
Vertical Mull Section

Note: All dimensions are approximate. Weather Shield reserves the right to change specifications without notice.