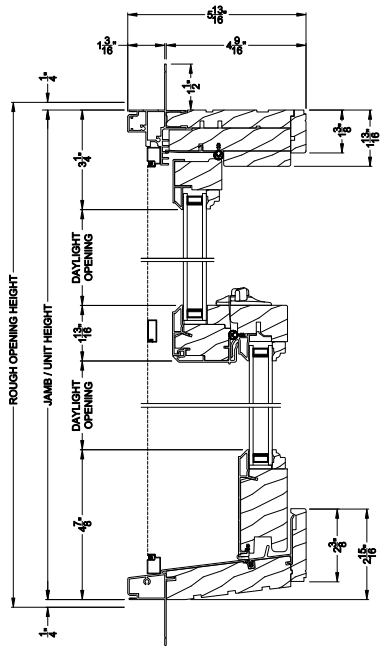
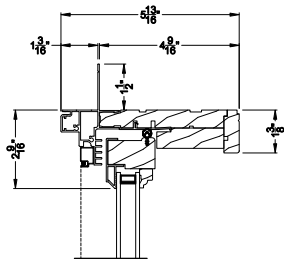


# Weather Shield® Premium Series™

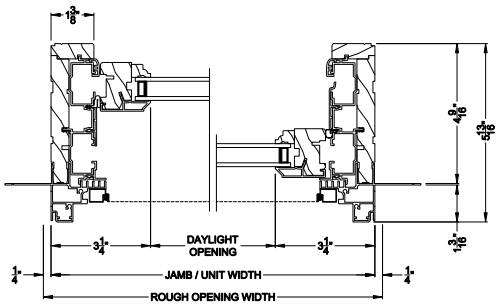
## Double Hung Windows CROSS SECTION DETAILS



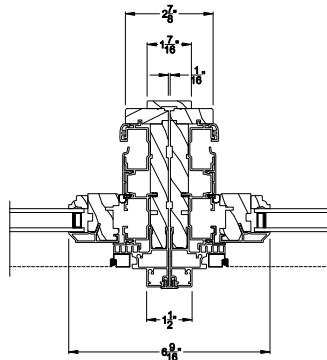
**PREMIUM EYEBROW DOUBLE HUNG WINDOW (8120)**  
Vertical Section



**PREMIUM HALF CIRCLE DOUBLE HUNG WINDOW (8120)**  
Vertical Section



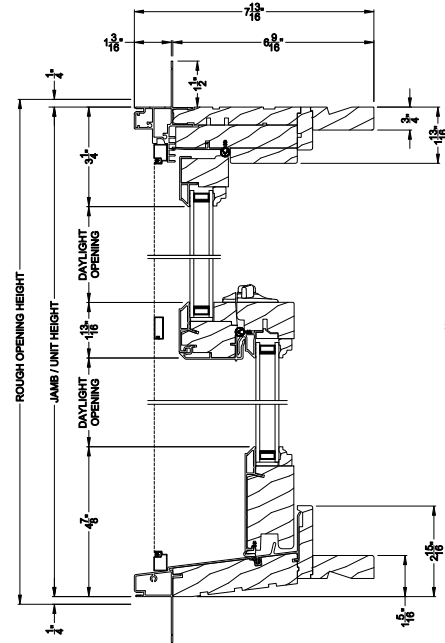
**PREMIUM EYEBROW DOUBLE HUNG WINDOW (8120)**  
Horizontal Section



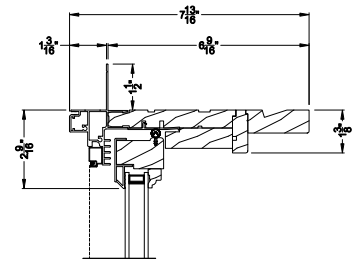
**PREMIUM DOUBLE HUNG WINDOW**  
Vertical Mull Section - DH / DH

# Weather Shield® Premium Series™

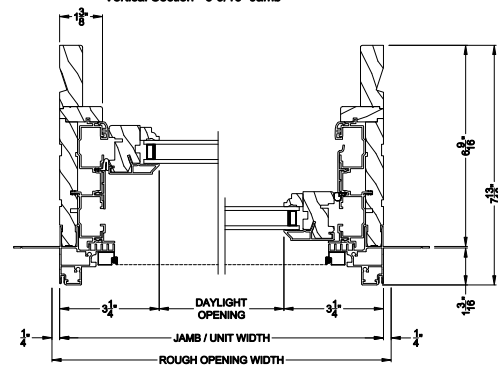
## Double Hung Windows CROSS SECTION DETAILS



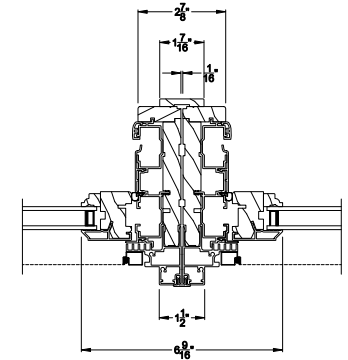
**PREMIUM HALF CIRCLE DOUBLE HUNG WINDOW (8120)**  
Vertical Section - 6-9/16\" Jamb



**PREMIUM EYEBROW DOUBLE HUNG WINDOW (8120)**  
Vertical Section - 6-9/16\" Jamb



**PREMIUM EYEBROW DOUBLE HUNG WINDOW (8120)**  
Horizontal Section - 6-9/16\" Jamb



**PREMIUM DOUBLE HUNG WINDOW**  
Vertical Mull Section - DH / DH

Note: All dimensions are approximate. Weather Shield reserves the right to change specifications without notice.

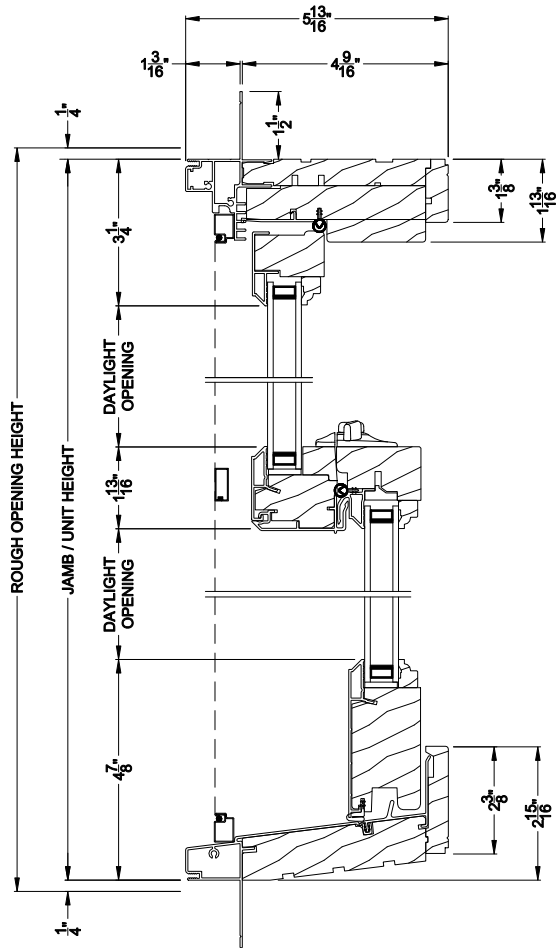
Note: All dimensions are approximate. Weather Shield reserves the right to change specifications without notice.

# Weather Shield®

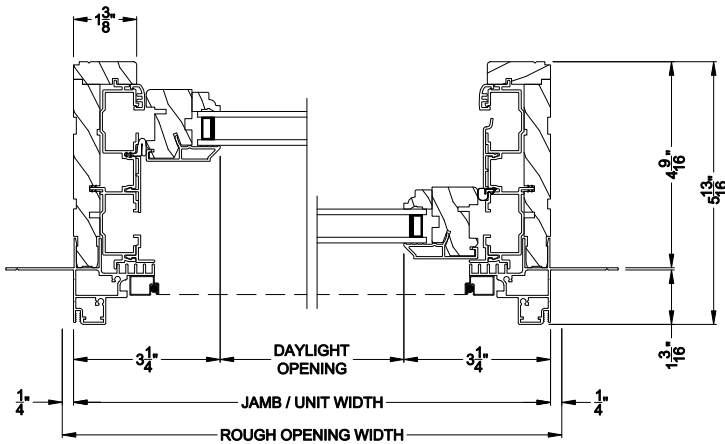
## Premium Series™

# Double Hung Windows

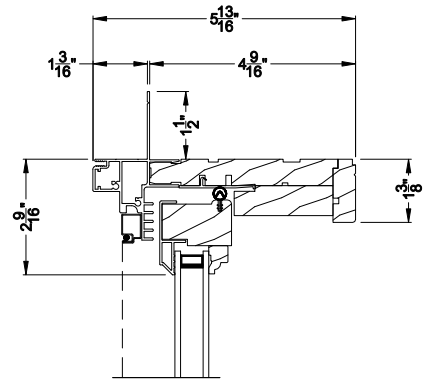
## CROSS SECTION DETAILS



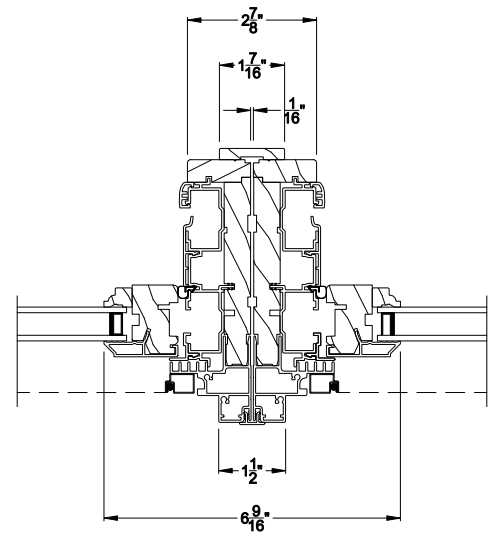
**PREMIUM HALF CIRCLE DOUBLE HUNG WINDOW (8120)**  
Vertical Section



**PREMIUM EYEBROW DOUBLE HUNG WINDOW (8120)**  
Horizontal Section



**PREMIUM EYEBROW DOUBLE HUNG WINDOW (8120)**  
Vertical Section



**PREMIUM DOUBLE HUNG WINDOW**  
Vertical Mull Section - DH / DH

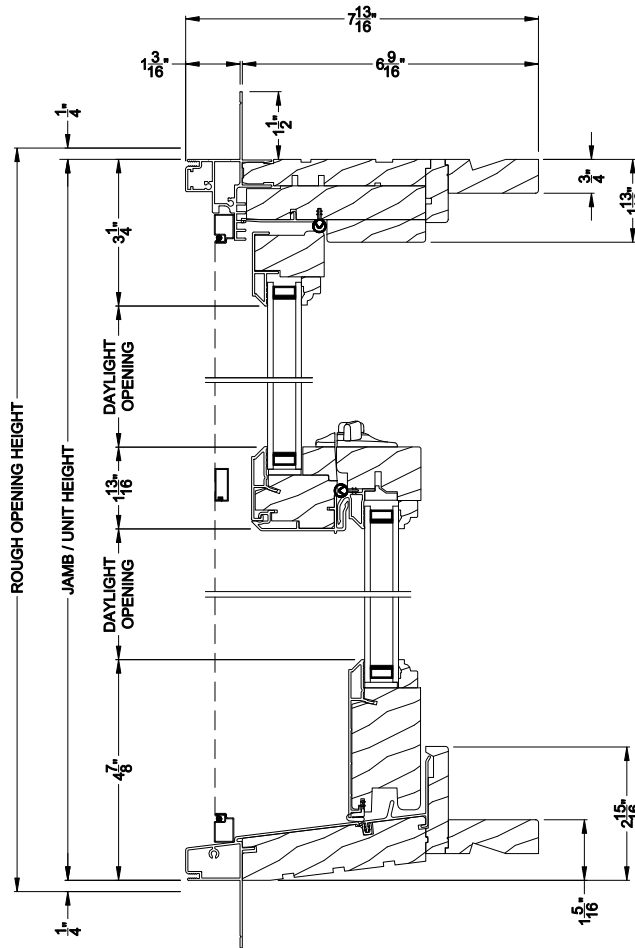
Note: All dimensions are approximate. Weather Shield reserves the right to change specifications without notice.

# Weather Shield®

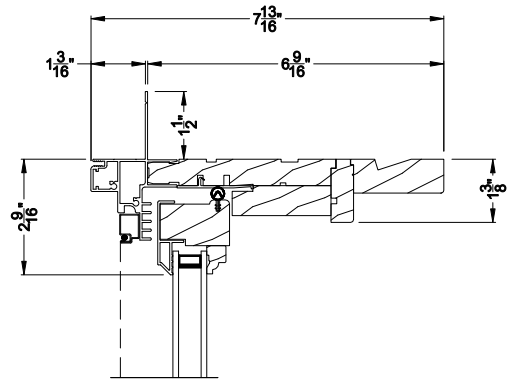
## Premium Series™

# Double Hung Windows

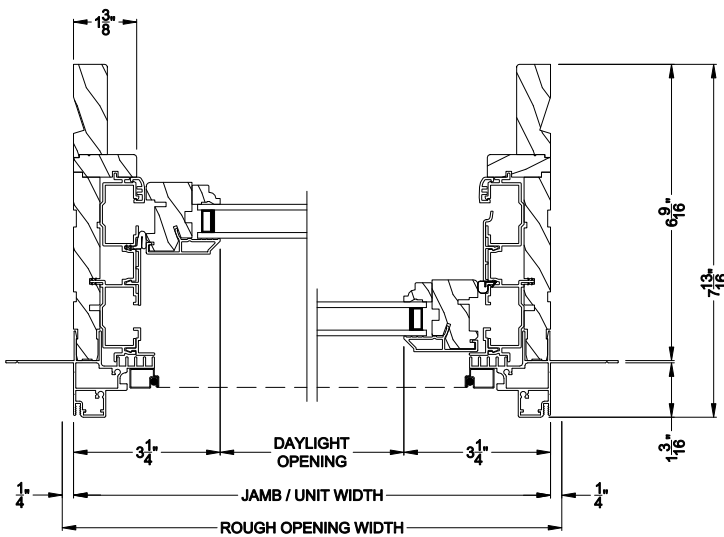
## CROSS SECTION DETAILS



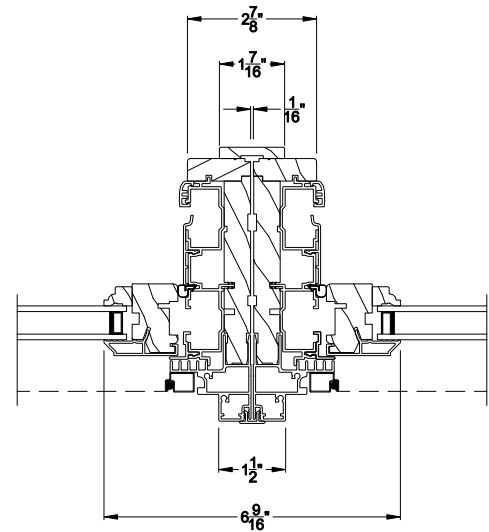
**PREMIUM HALF CIRCLE DOUBLE HUNG WINDOW (8120)**  
Vertical Section - 6-9/16" Jamb



**PREMIUM EYEBROW DOUBLE HUNG WINDOW (8120)**  
Vertical Section - 6-9/16" Jamb



**PREMIUM EYEBROW DOUBLE HUNG WINDOW (8120)**  
Horizontal Section - 6-9/16" Jamb



**PREMIUM DOUBLE HUNG WINDOW**  
Vertical Mull Section - DH / DH

Note: All dimensions are approximate. Weather Shield reserves the right to change specifications without notice.