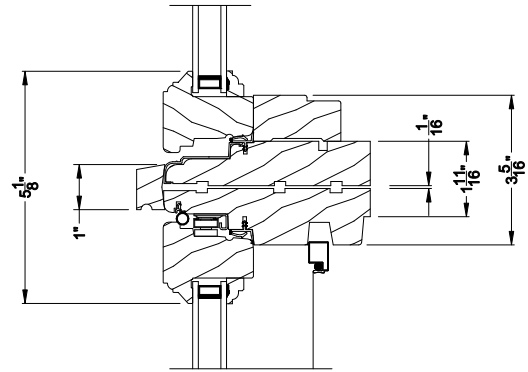
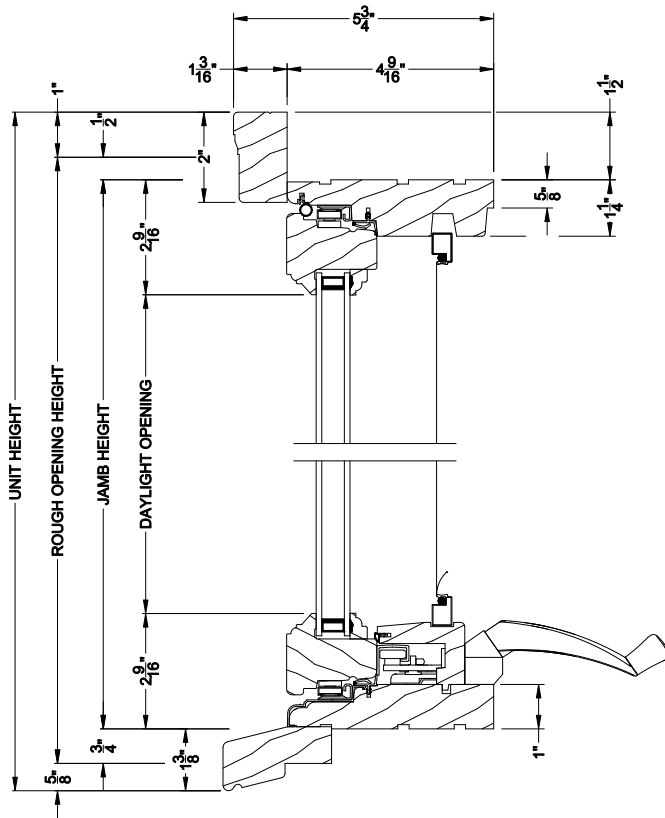


# Weather Shield®

## Weather Shield Series™

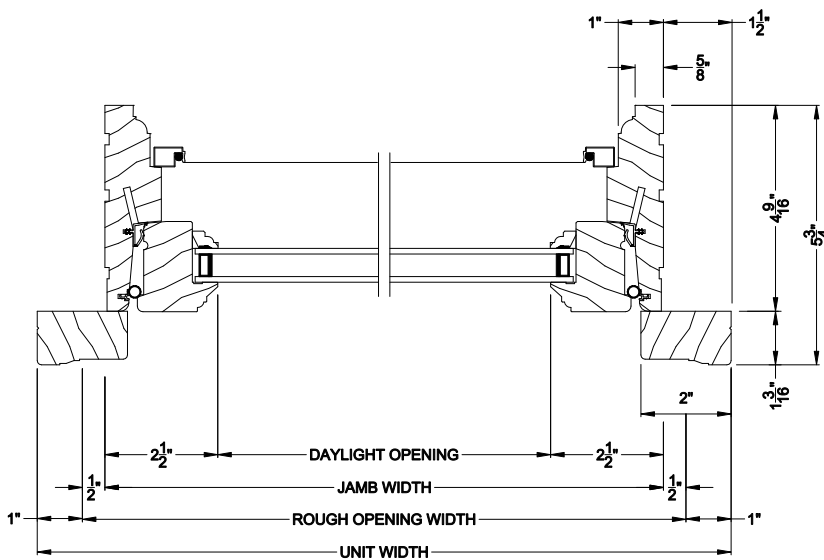
# Casement Windows

## CROSS SECTION DETAILS

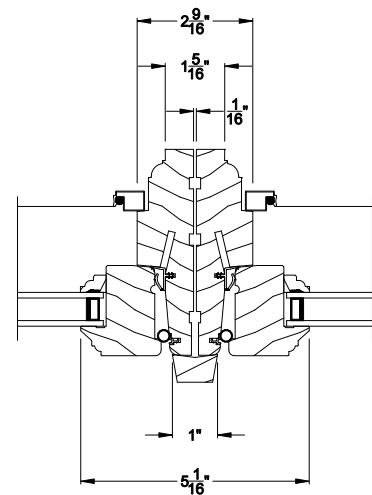


**WEATHER SHIELD CASEMENT WINDOW**  
Horizontal Stack Section - Transom Stack over Casement

**WEATHER SHIELD CASEMENT WINDOW (6204)**  
Vertical Section



**WEATHER SHIELD CASEMENT WINDOW (6204)**  
Horizontal Section



**WEATHER SHIELD CASEMENT WINDOW**  
Vertical Mull Section

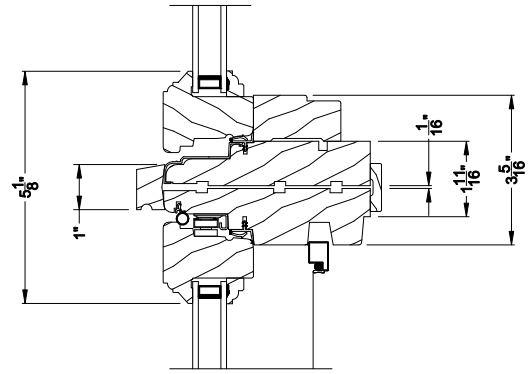
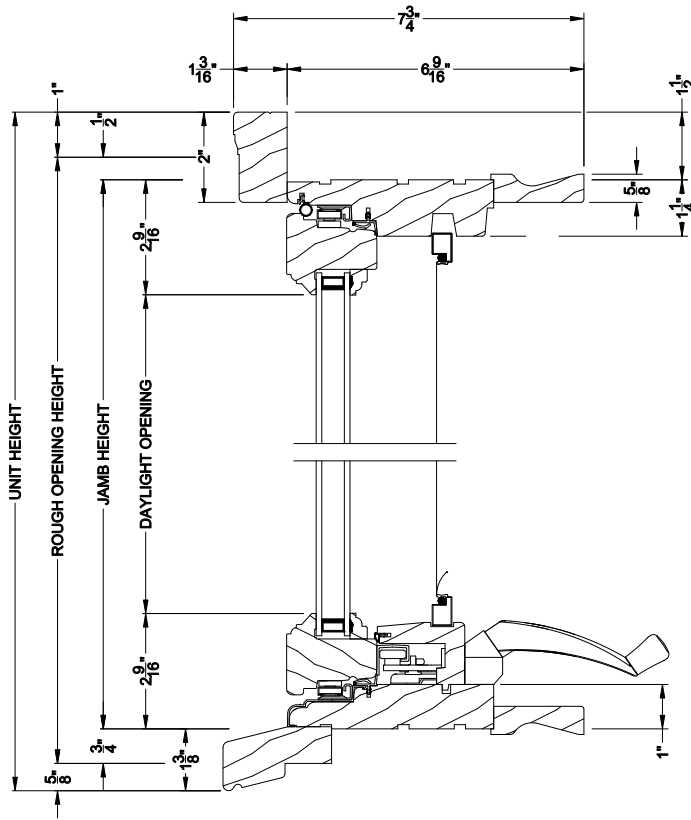
Note: All dimensions are approximate. Weather Shield reserves the right to change specifications without notice.

# Weather Shield®

## Weather Shield Series™

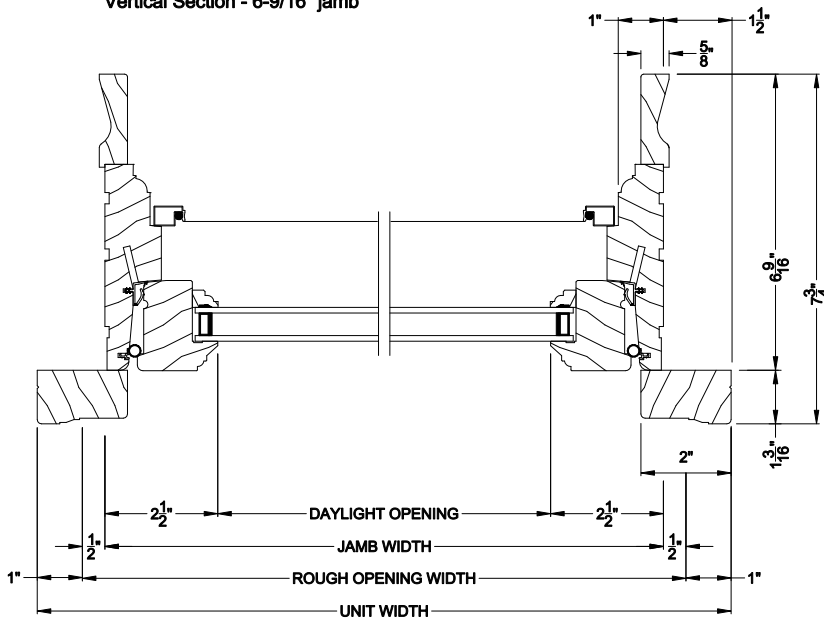
# Casement Windows

## CROSS SECTION DETAILS

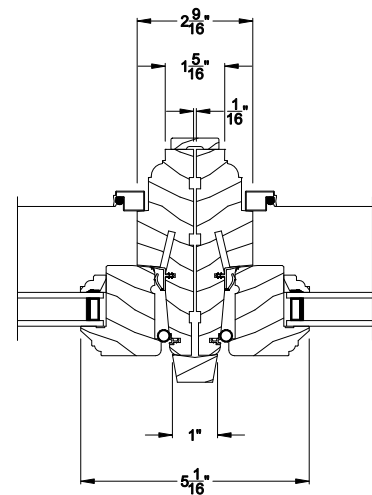


**WEATHER SHIELD CASEMENT WINDOW**  
Horizontal Stack Section - Transom Stack over Casement

**WEATHER SHIELD CASEMENT WINDOW (6204)**  
Vertical Section - 6-9/16" jamb



**WEATHER SHIELD CASEMENT WINDOW (6204)**  
Horizontal Section - 6-9/16" jamb



**WEATHER SHIELD CASEMENT WINDOW**  
Vertical Mull Section

Note: All dimensions are approximate. Weather Shield reserves the right to change specifications without notice.