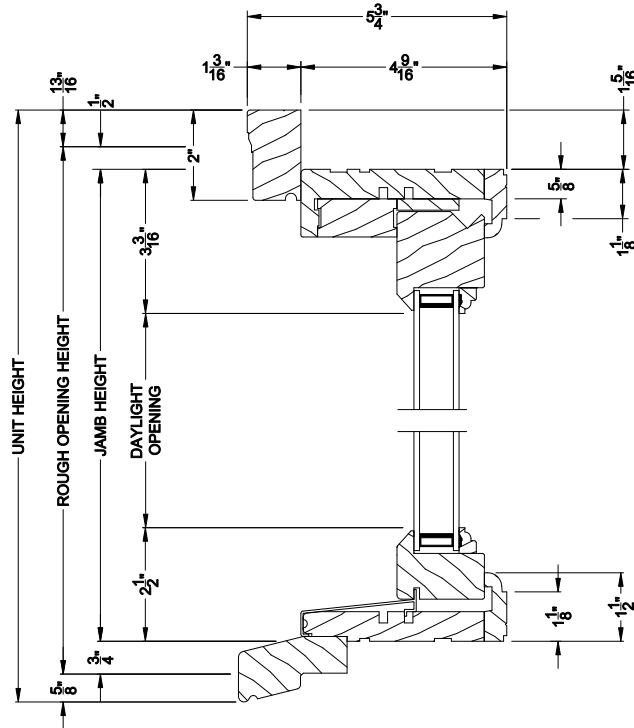


Weather Shield®

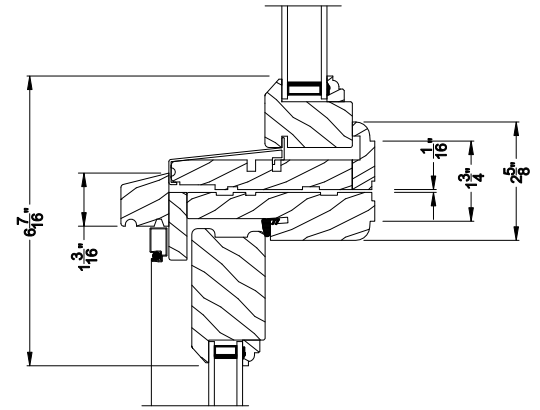
Weather Shield Series™

Double Hung Windows

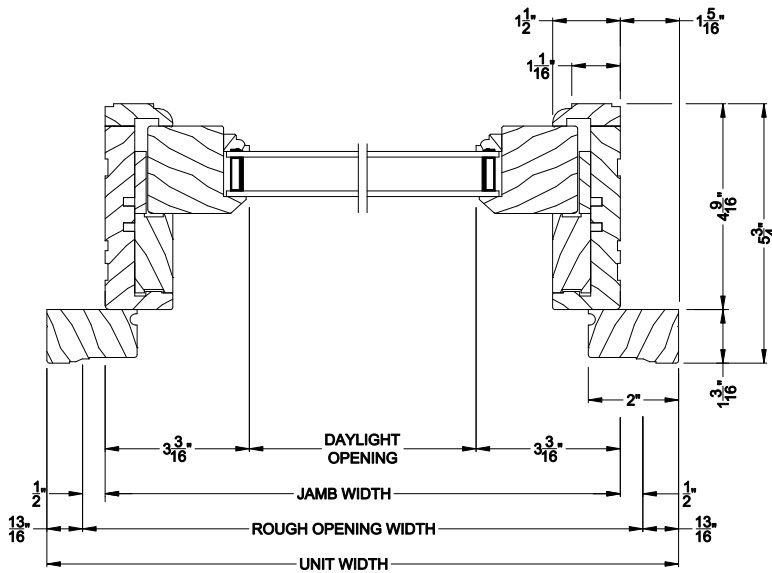
CROSS SECTION DETAILS



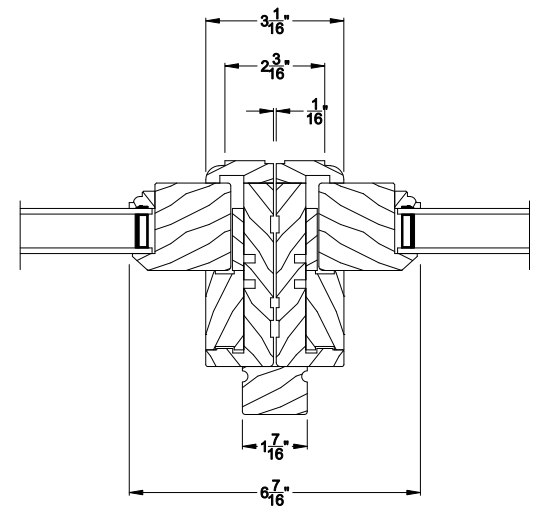
WEATHER SHIELD DOUBLE HUNG TRANSOM (610)
Vertical Section



WEATHER SHIELD DOUBLE HUNG TRANSOM
Horizontal Stack Section - Transom Stack over DH



WEATHER SHIELD DOUBLE HUNG TRANSOM (610)
Horizontal Section



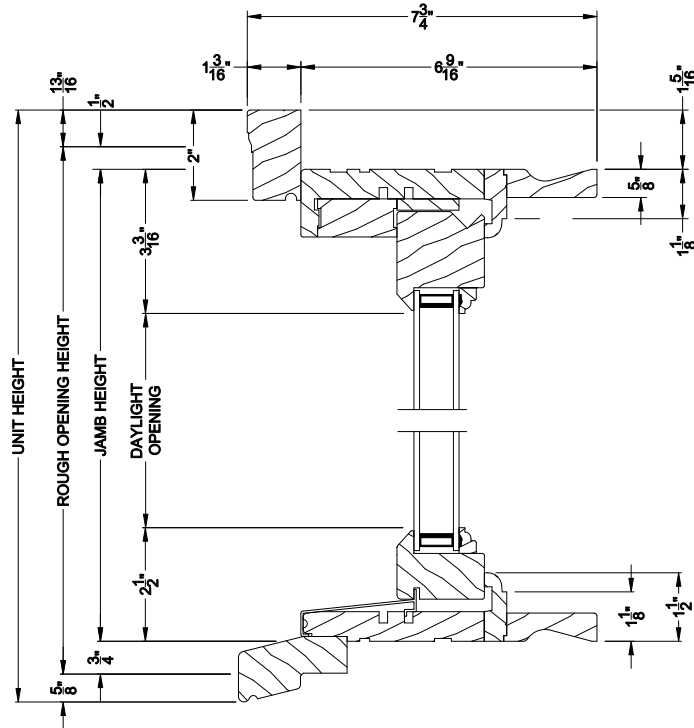
WEATHER SHIELD DOUBLE HUNG TRANSOM
Vertical Mull Section - Picture / Picture

Weather Shield®

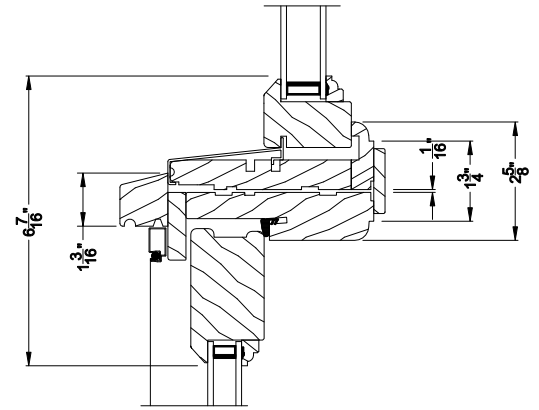
Weather Shield Series™

Double Hung Windows

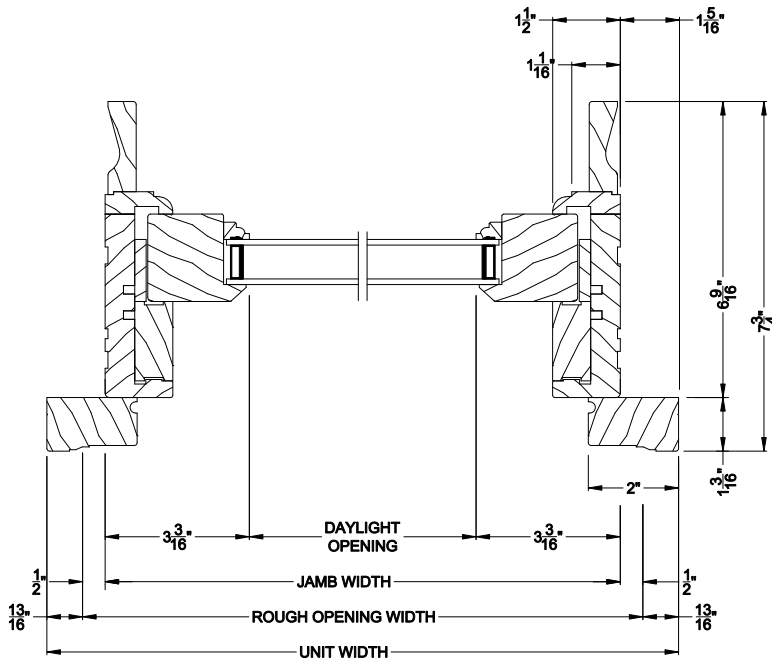
CROSS SECTION DETAILS



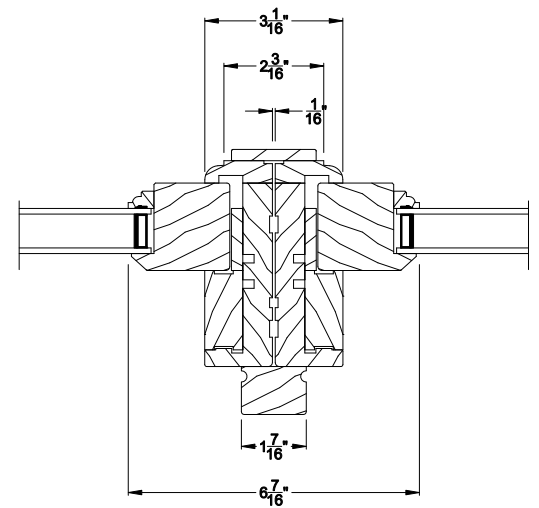
WEATHER SHIELD DOUBLE HUNG TRANSOM (610)
Vertical Section - 6-9/16" jamb



WEATHER SHIELD DOUBLE HUNG TRANSOM
Horizontal Stack Section - Transom Stack over DH



WEATHER SHIELD DOUBLE HUNG TRANSOM (610)
Horizontal Section - 6-9/16" jamb



WEATHER SHIELD DOUBLE HUNG TRANSOM
Vertical Mull Section - Picture / Picture