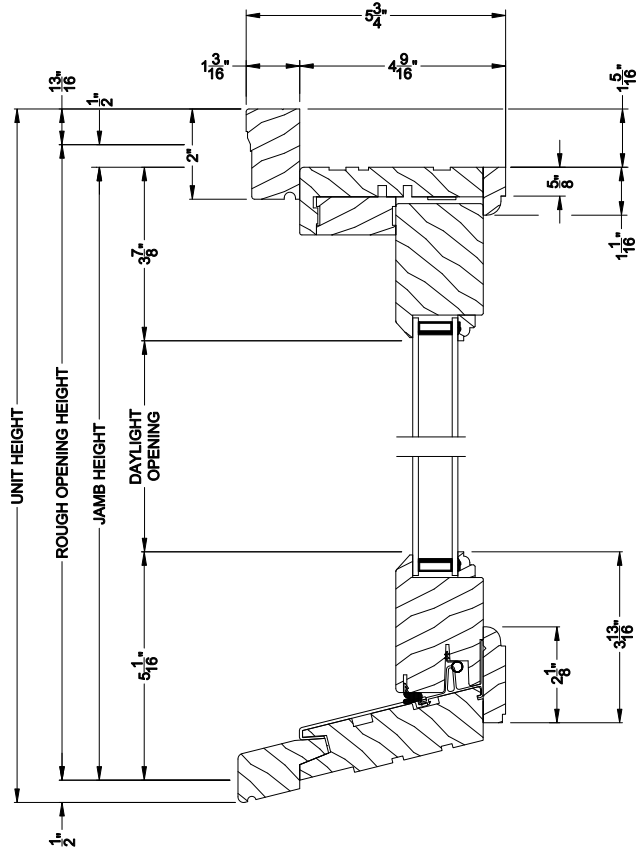


Weather Shield®

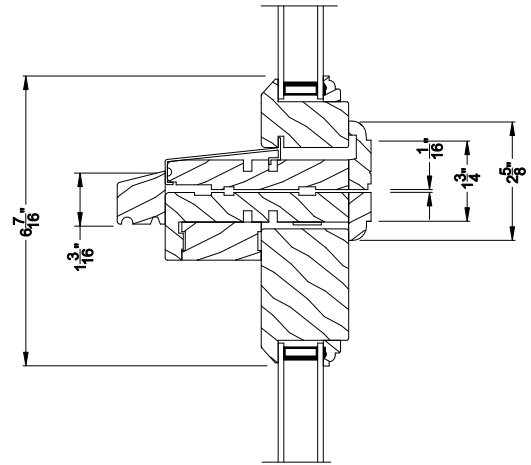
Weather Shield Series™

Double Hung Windows

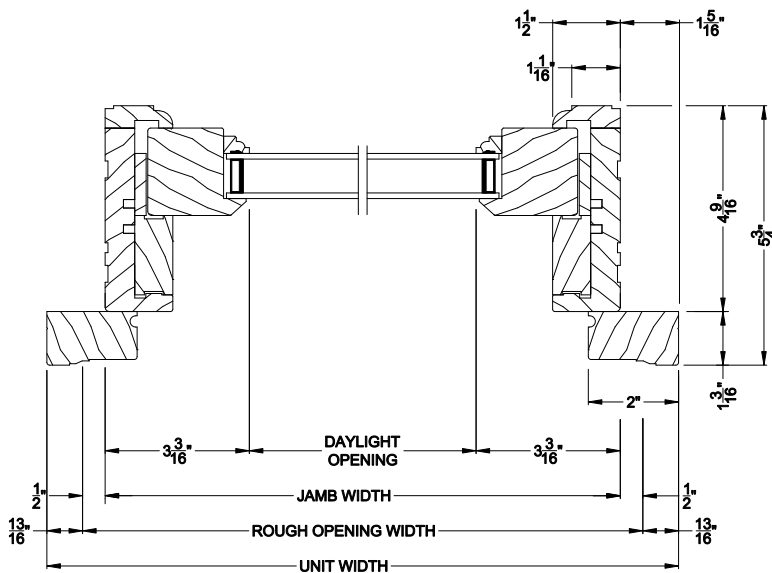
CROSS SECTION DETAILS



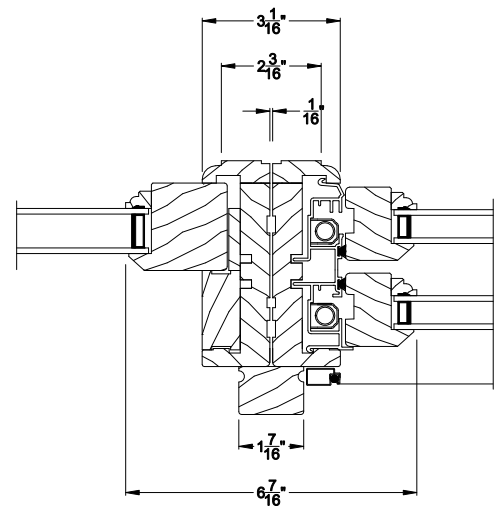
WEATHER SHIELD DOUBLE HUNG PICTURE (610)
Vertical Section



WEATHER SHIELD DOUBLE HUNG PICTURE
Horizontal Stack Section - Transom Stack over Picture



WEATHER SHIELD DOUBLE HUNG PICTURE (610)
Horizontal Section



WEATHER SHIELD DOUBLE HUNG PICTURE
Vertical Mull Section - Picture / Picture

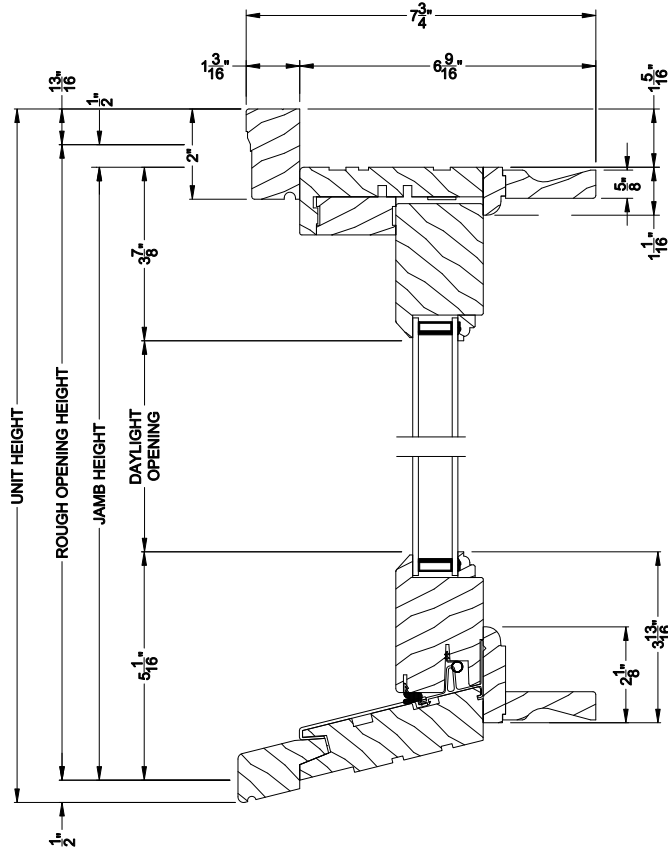
Note: All dimensions are approximate. Weather Shield reserves the right to change specifications without notice.

Weather Shield®

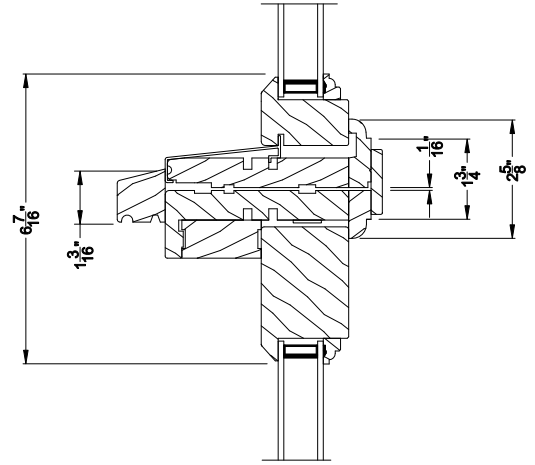
Weather Shield Series™

Double Hung Windows

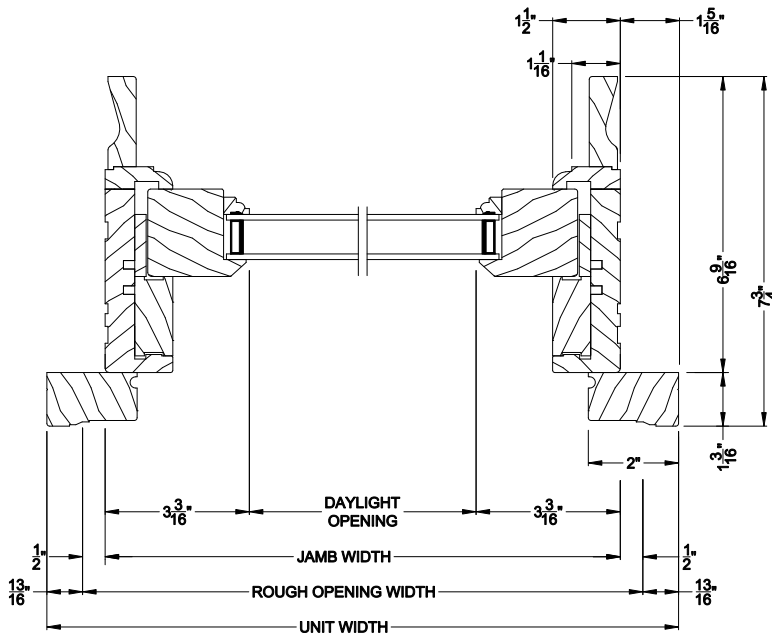
CROSS SECTION DETAILS



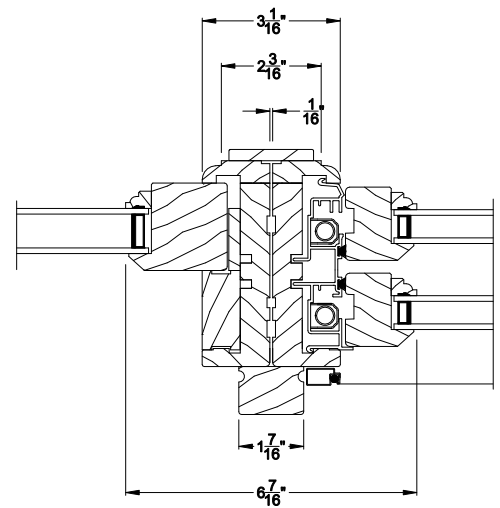
WEATHER SHIELD DOUBLE HUNG PICTURE (610)
Vertical Section - 6-9/16" jamb



WEATHER SHIELD DOUBLE HUNG PICTURE
Horizontal Stack Section - Transom Stack over Picture



WEATHER SHIELD DOUBLE HUNG PICTURE (610)
Horizontal Section - 6-9/16" jamb



WEATHER SHIELD DOUBLE HUNG PICTURE
Vertical Mull Section - Picture / Picture

Note: All dimensions are approximate. Weather Shield reserves the right to change specifications without notice.