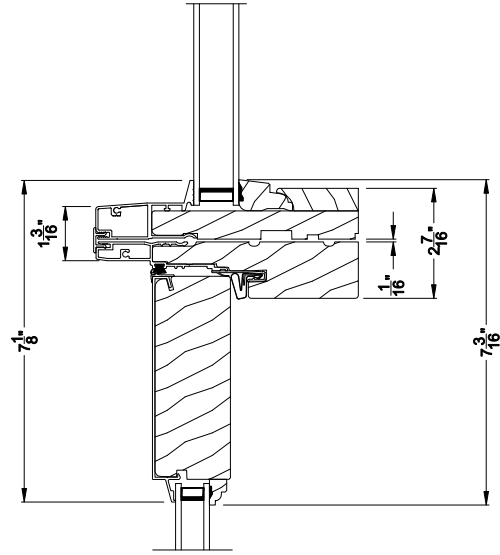
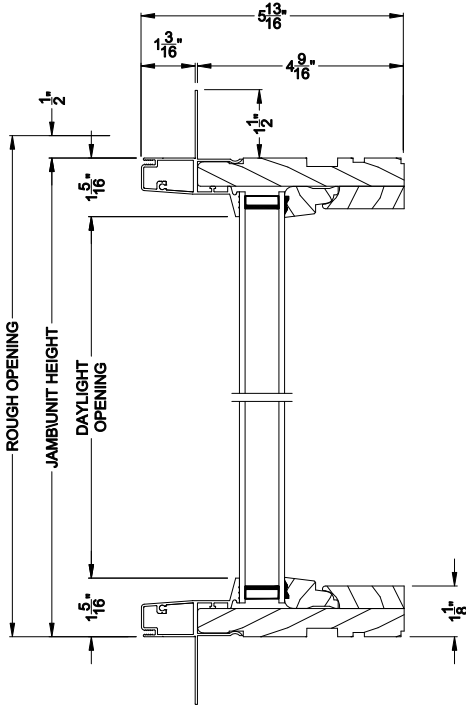


Weather Shield®

Signature Series™

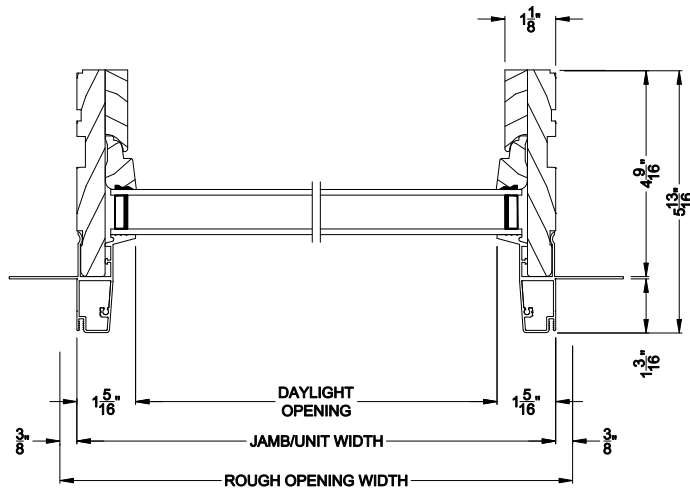
Hinged Door Transom

CROSS SECTION DETAILS



SIGNATURE OUTSWING HINGED DOOR TRANSOM (830)
Vertical Section

SIGNATURE OUTSWING HINGED DOOR TRANSOM (830)
Horizontal Stack Section - Transom Stack over Outswing Door



SIGNATURE OUTSWING HINGED DOOR TRANSOM (830)
Horizontal Section

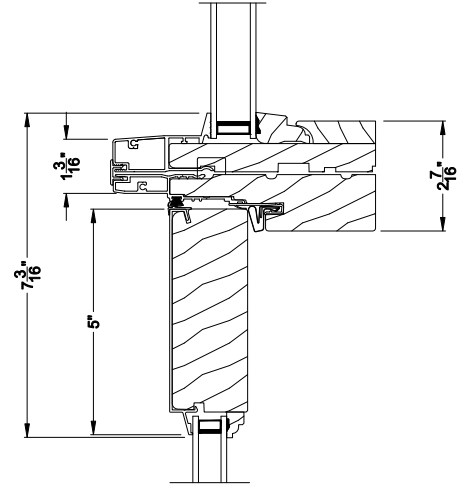
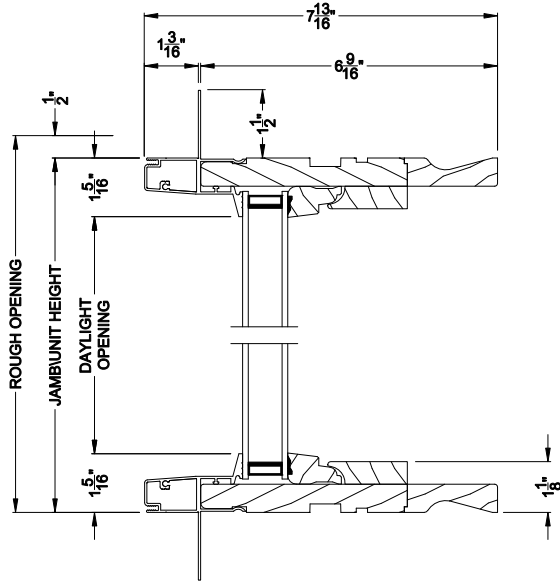
Note: All dimensions are approximate. Weather Shield reserves the right to change specifications without notice.

Weather Shield®

Signature Series™

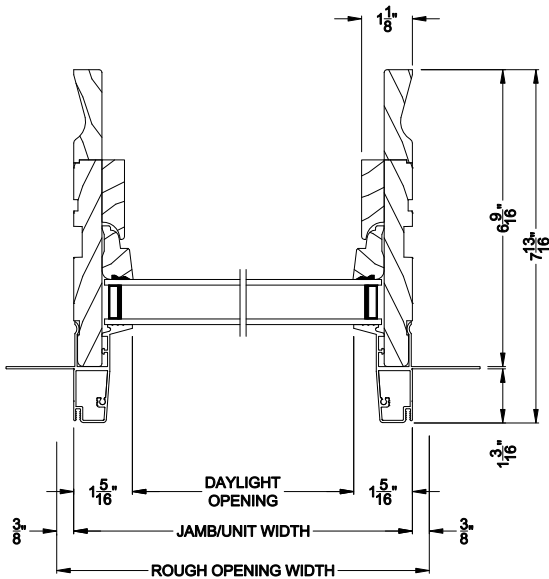
Hinged Door Transom

CROSS SECTION DETAILS

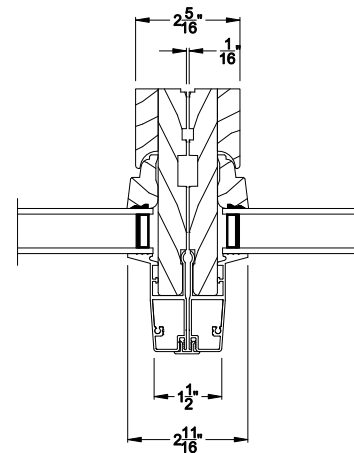


SIGNATURE OUTSWING HINGED DOOR TRANSOM (830)
Horizontal Stack Section

SIGNATURE OUTSWING HINGED DOOR TRANSOM (830)
Vertical Section - 6-9/16" Jamb



SIGNATURE OUTSWING HINGED DOOR TRANSOM (830)
Horizontal Section - 6-9/16" Jamb



SIGNATURE OUTSWING HINGED DOOR TRANSOM (830)
Vertical Mull Section

Note: All dimensions are approximate. Weather Shield reserves the right to change specifications without notice.