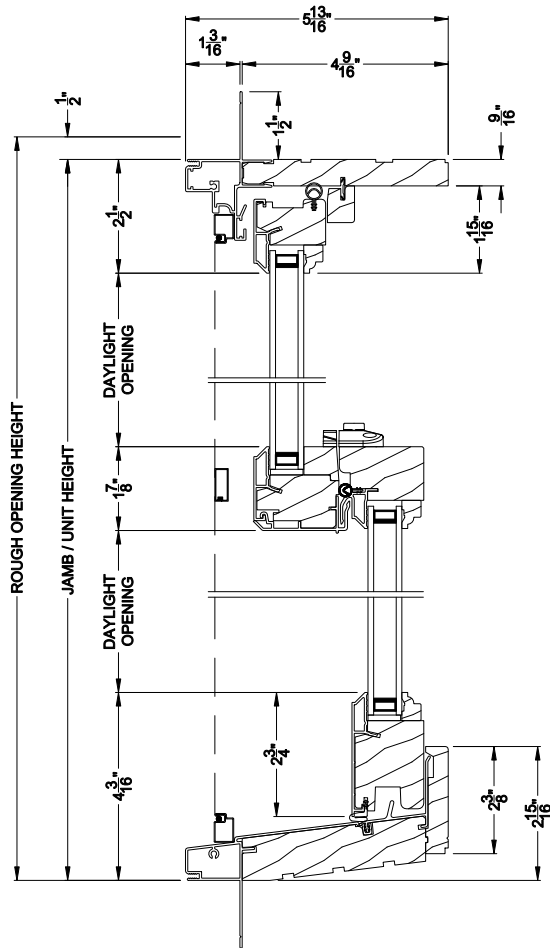


# Weather Shield®

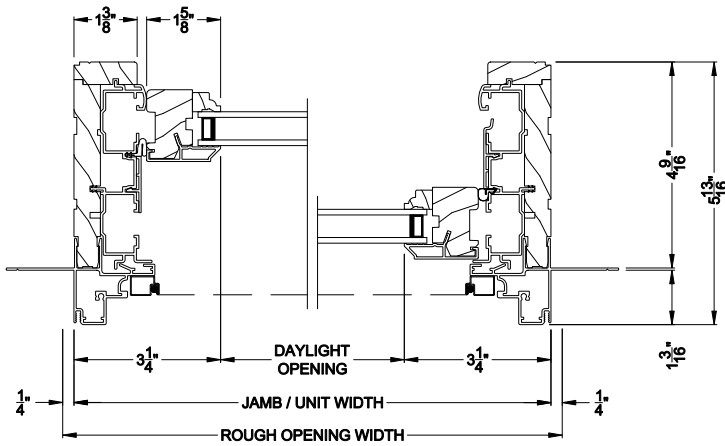
## Signature Series™

# Double Hung Windows

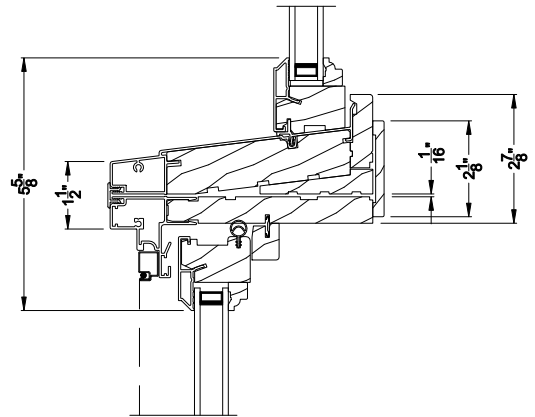
## CROSS SECTION DETAILS



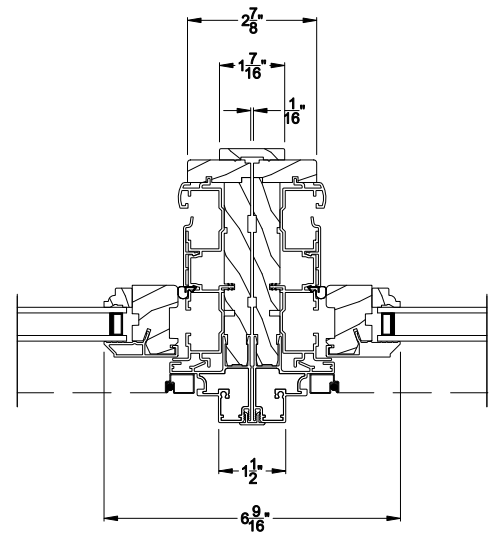
**SIGNATURE DOUBLE HUNG WINDOW (8122)**  
Vertical Section



**SIGNATURE DOUBLE HUNG WINDOW (8122)**  
Horizontal Section



**SIGNATURE DOUBLE HUNG WINDOW**  
Horizontal Stack Section - Transom Stack over DH



**SIGNATURE DOUBLE HUNG WINDOW**  
Vertical Mull Section - DH / DH

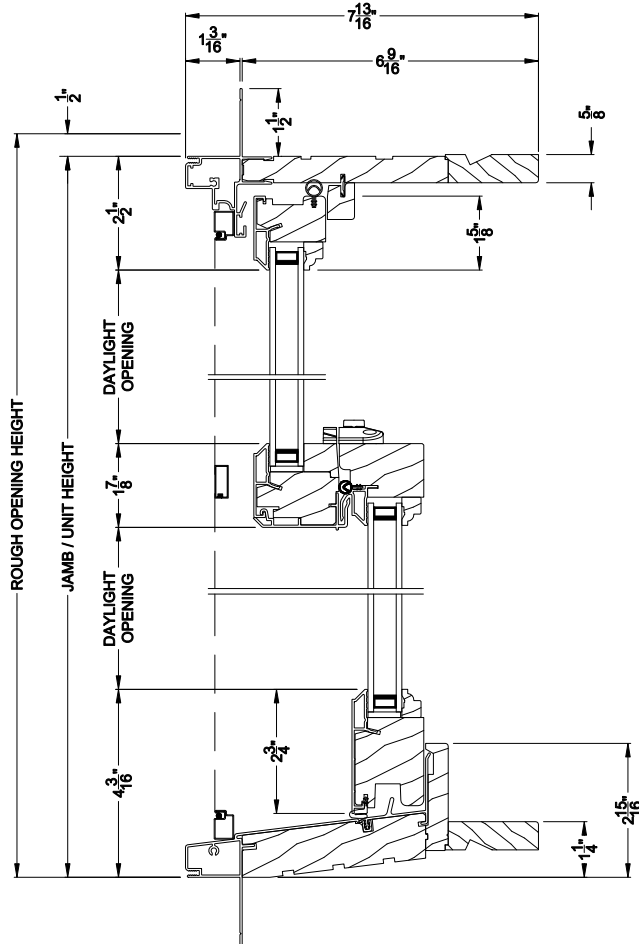
Note: All dimensions are approximate. Weather Shield reserves the right to change specifications without notice.

# Weather Shield®

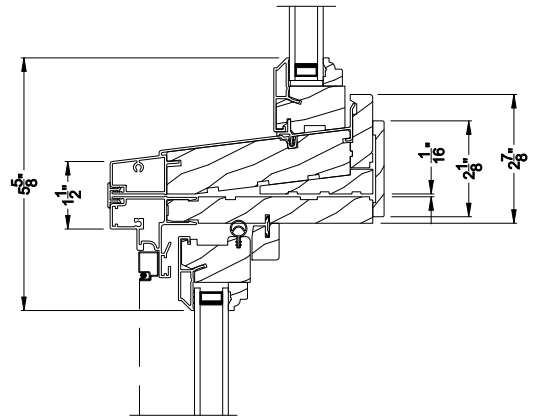
## Signature Series™

# Double Hung Windows

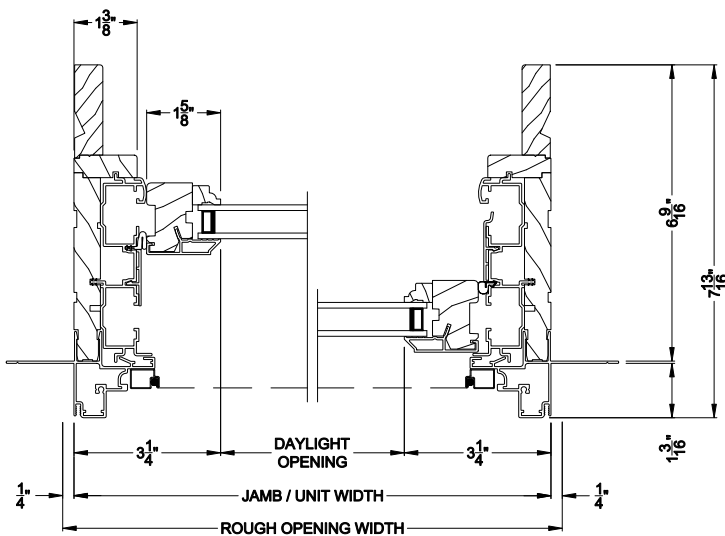
## CROSS SECTION DETAILS



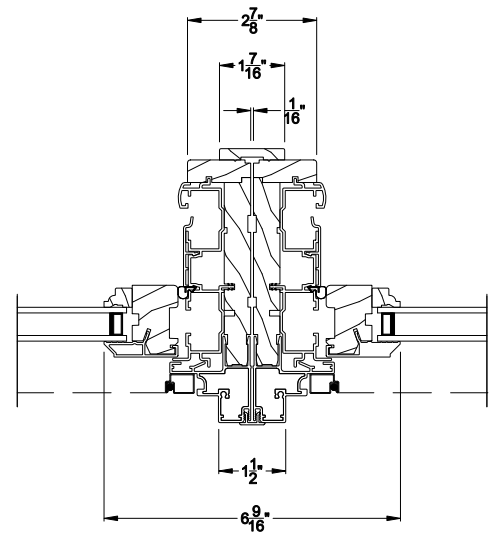
**SIGNATURE DOUBLE HUNG WINDOW (8122)**  
Vertical Section - 6-9/16" jamb



**SIGNATURE DOUBLE HUNG WINDOW**  
Horizontal Stack Section - Transom Stack over DH



**SIGNATURE DOUBLE HUNG WINDOW (8122)**  
Horizontal Section - 6-9/16" jamb



**SIGNATURE DOUBLE HUNG WINDOW**  
Vertical Mull Section - DH / DH

Note: All dimensions are approximate. Weather Shield reserves the right to change specifications without notice.