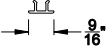
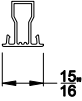
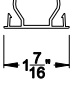
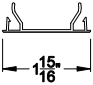
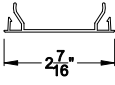
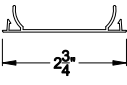
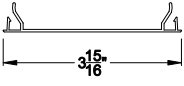
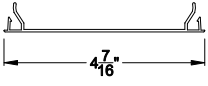
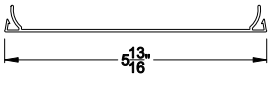
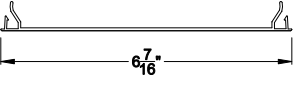
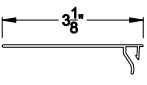
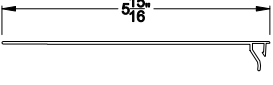
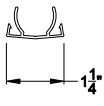
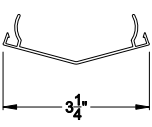
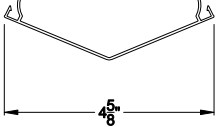


Weather Shield

Contemporary Collection

Clad Accessories and Trim

CROSS SECTION DETAILS

60-4196-01 (176") 	P0130000 (176") 	85-11070-01 
DIRECT MULL CLIP	1/2" MULL COVER	1" MULL COVER
04-2224-02 (176") 	04-2225-02 (176") 	60-5990 (176") 
1 1/2" MULL COVER	2" MULL COVER	2 1/4" MULL COVER
04-2226-02 (176") 	85-10571-01 (176") 	60-13020-01 
3 1/2" MULL COVER	4" MULL COVER	5 1/2" MULL COVER
85-10572-01 (176") 	04-2175-02 (176") 	04-2176-02 (176") 
6" MULL COVER	SHORT TRIM FLANGE	LONG TRIM FLANGE
A1616 (174") 	A1615 (174") 	A1608 (174") 
10° BAY MULL COVER	30° BAY MULL COVER	45° BAY MULL COVER

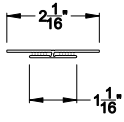
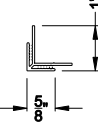
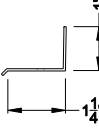
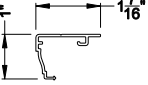
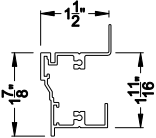
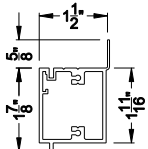
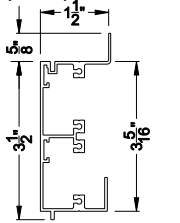
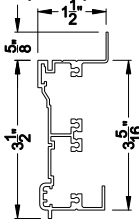
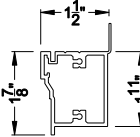
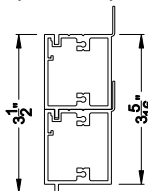
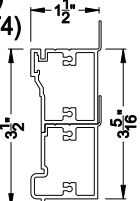
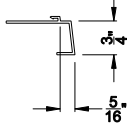
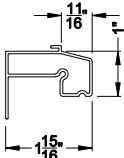
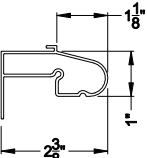
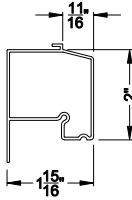
Note: All dimensions are approximate. Weather Shield reserves the right to change specifications without notice.

Weather Shield

Contemporary Collection

Clad Accessories and Trim

CROSS SECTION DETAILS

<p>04-2300-02 (174")</p> 	<p>04-2097-02 (174")</p> 	<p>04-2064-02 (176")</p> 
<p>MULL RECEPTOR</p>	<p>90° CORNER COVER</p>	<p>DRIP CAP</p>
<p>04-2183-02 (176")</p> 	<p>04-A1549 (228")</p> 	<p>04-A8638 (228" T4)</p> 
<p>7/8" BRICKMOULD</p>	<p>1-11/16" BRICKMOULD</p>	<p>1-11/16" FLAT CASING</p>
<p>04-A1545 (228")</p> 	<p>04-2181-02 (228")</p> 	<p>04-A8637 (228" T4)</p> 
<p>3-5/16" FLAT CASING</p>	<p>HISTORICAL BRICKMOULD</p>	<p>Bendable Profile</p>
<p>04-A8638 x2 (228" T4)</p> 	<p>04-A8637 (228" T4) 04-2182-02 (176" T4)</p> 	<p>04-A1552 (176")</p> 
<p>2 Piece Bendable Profile</p>	<p>2 Piece Bendable Profile</p>	<p>3/4" SILL NOSING</p>
<p>FLAT CASING</p>	<p>HISTORICAL BRICKMOULD</p>	<p>3/4" SILL NOSING</p>
<p>60-9561 (176")</p> 	<p>60-9601 (176")</p> 	<p>60-9962 (176")</p> 
<p>End Caps Available</p>	<p>End Caps Available</p>	<p>End Caps Available</p>
<p>#9561 1" BULL NOSE</p>	<p>1" FULL ROUND BULL NOSE</p>	<p>#9962 2" BULL NOSE</p>

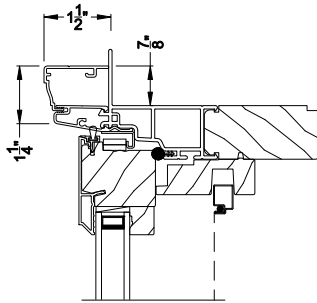
Note: All dimensions are approximate. Weather Shield reserves the right to change specifications without notice.

Weather Shield

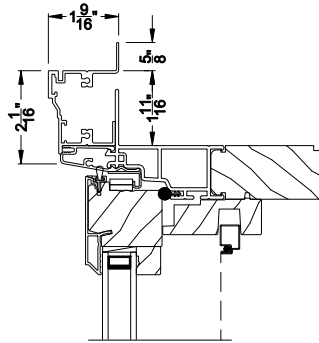
Contemporary Collection

Clad Trim Applications

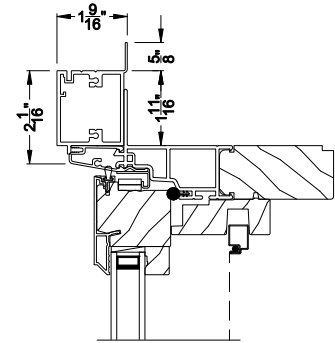
CROSS SECTION DETAILS



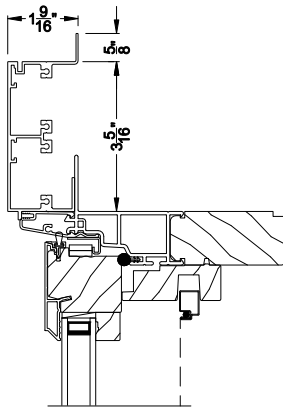
7/8" BRICKMOULD
Head Section Detail



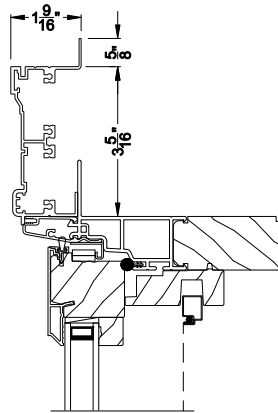
1 11/16" BRICKMOULD
Head Section Detail



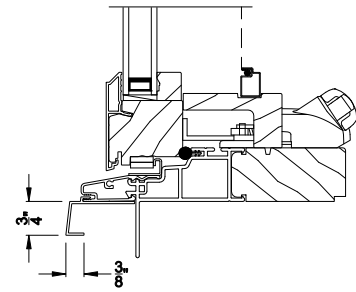
1 11/16" BRICKMOULD
Head Section Detail



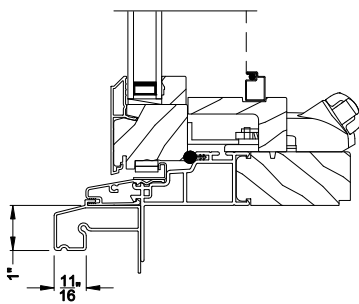
3 5/16" FLAT CASING
Head Section Detail



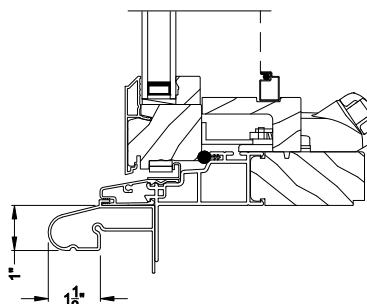
3 5/16" HISTORICAL BRICKMOULD
Head Section Detail



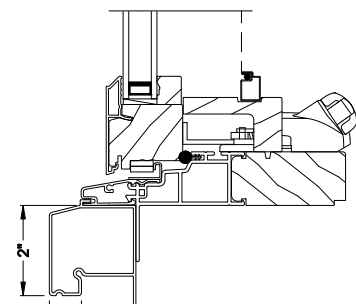
3/4" BULL NOSE
Sill Section Detail



1" BULL NOSE*
Sill Section Detail



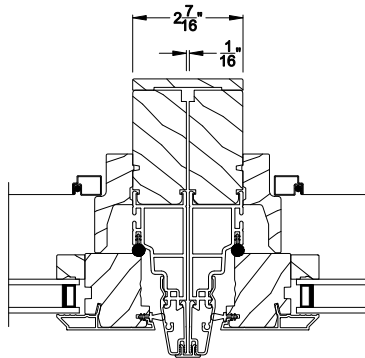
1" FULL ROUND BULL NOSE*
Sill Section Detail



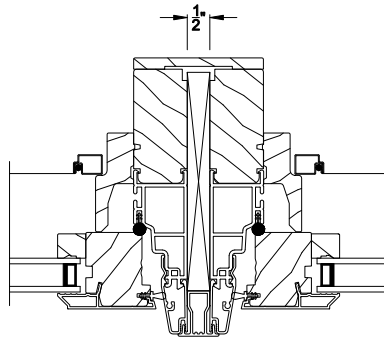
2" BULL NOSE*
Sill Section Detail

* Available with color matched end caps.

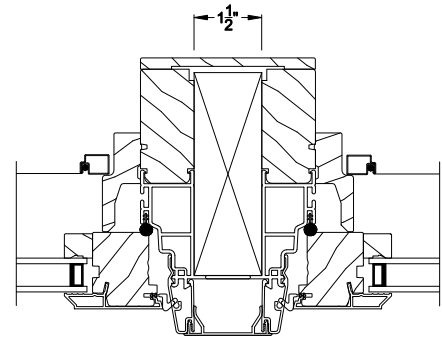
Note: All dimensions are approximate. Weather Shield reserves the right to change specifications without notice.



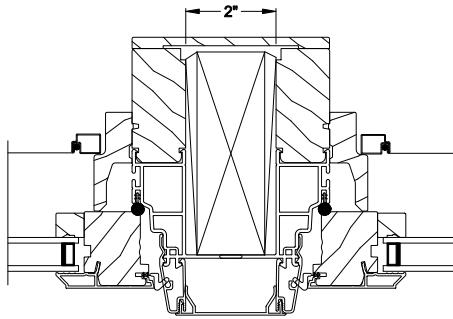
TIGHT MULL
Jamb Section Detail



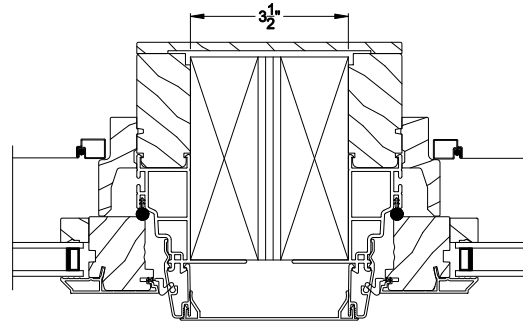
1/2" SPREAD MULL
Jamb Section Detail



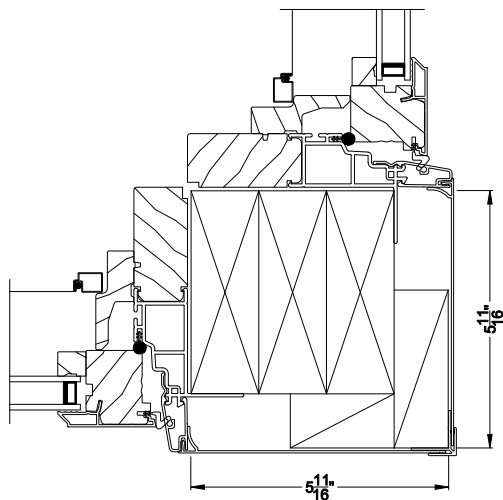
1 1/2" SPREAD MULL
Jamb Section Detail



2" SPREAD MULL
Jamb Section Detail



3 1/2" SPREAD MULL
Jamb Section Detail



90 DEGREE CORNER MULL
Jamb Section Detail

NOTE: Drawings show typical filed mull applications.
Factory mullered units may vary.

Note: All dimensions are approximate. Weather Shield reserves the right to change specifications without notice.