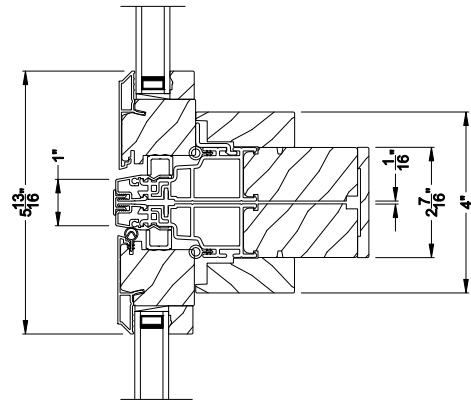
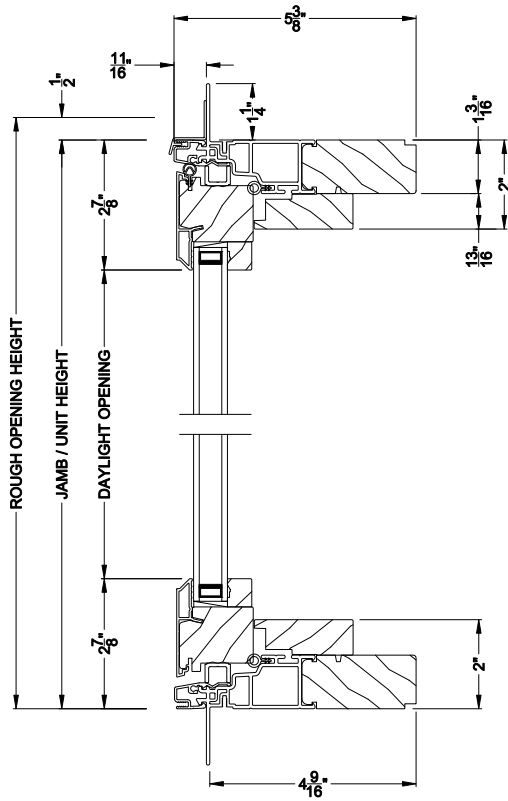


Weather Shield®

Contemporary Collection™

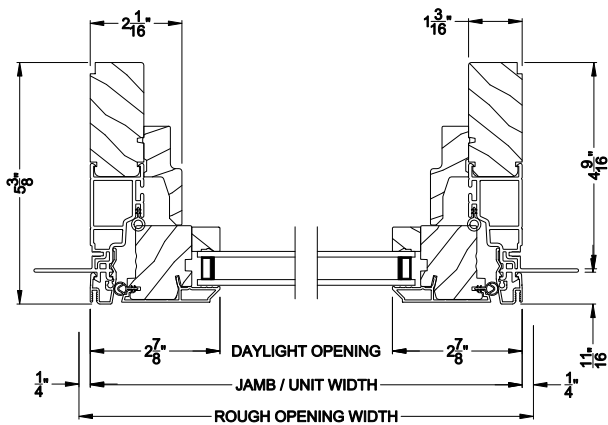
Casement Picture Windows

CROSS SECTION DETAILS

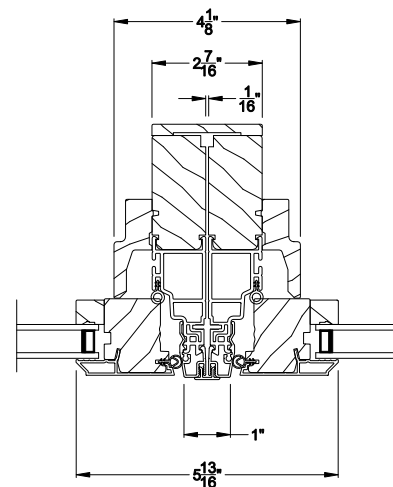


CONTEMPORARY CASEMENT PICTURE WINDOW
Horizontal Stack Section - Transom Stack over Casement Picture

CONTEMPORARY CASEMENT PICTURE WINDOW (8216)
Vertical Section - Flush Frame



CONTEMPORARY CASEMENT PICTURE WINDOW (8216)
Horizontal Section - Flush Frame



CONTEMPORARY CASEMENT PICTURE WINDOW
Vertical Mull Section

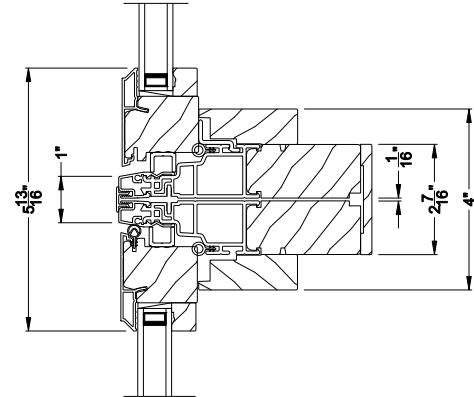
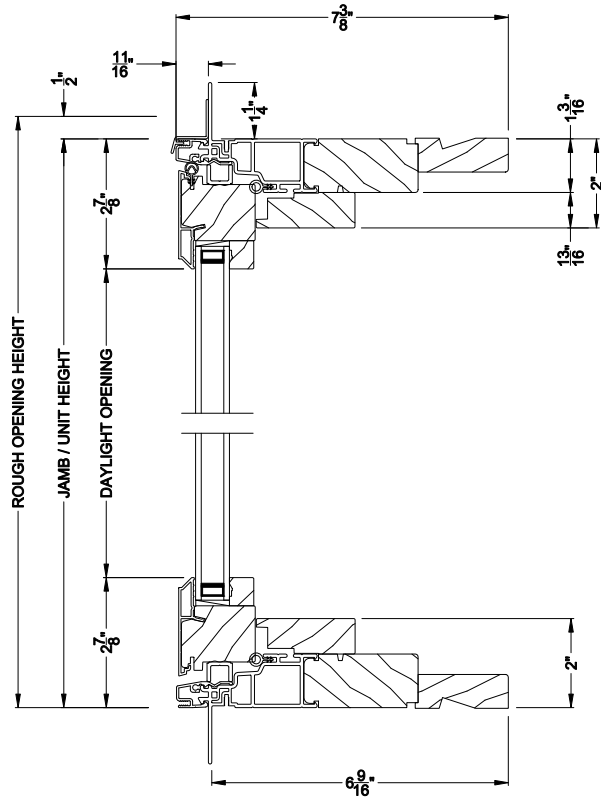
Note: All dimensions are approximate. Weather Shield reserves the right to change specifications without notice.

Weather Shield®

Contemporary Collection™

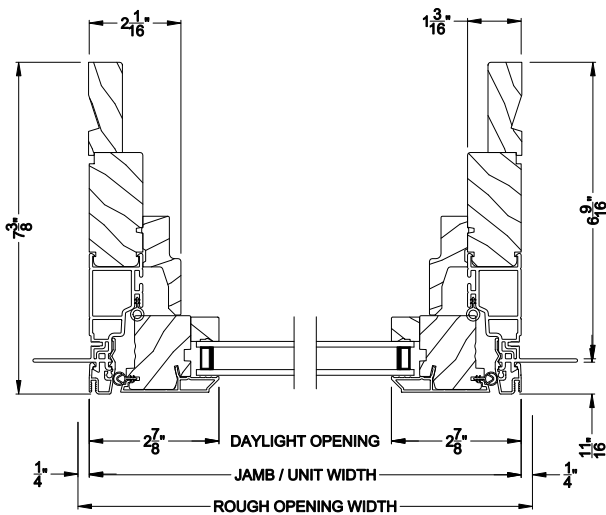
Casement Picture Windows

CROSS SECTION DETAILS

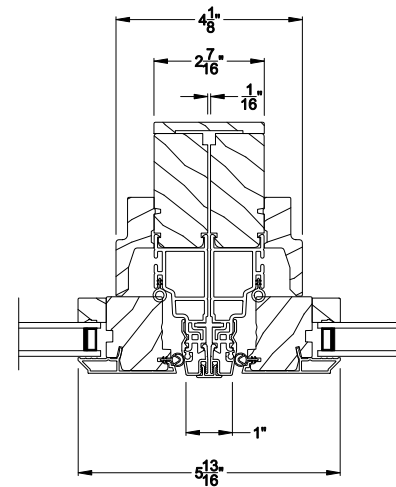


CONTEMPORARY CASEMENT PICTURE WINDOW
Horizontal Stack Section - Transom Stack over Casement Picture

CONTEMPORARY CASEMENT PICTURE WINDOW (8216)
Vertical Section - Flush Frame - 6-9/16" jamb



CONTEMPORARY CASEMENT PICTURE WINDOW (8216)
Horizontal Section - Flush Frame - 6-9/16" jamb



CONTEMPORARY CASEMENT PICTURE WINDOW
Vertical Mull Section

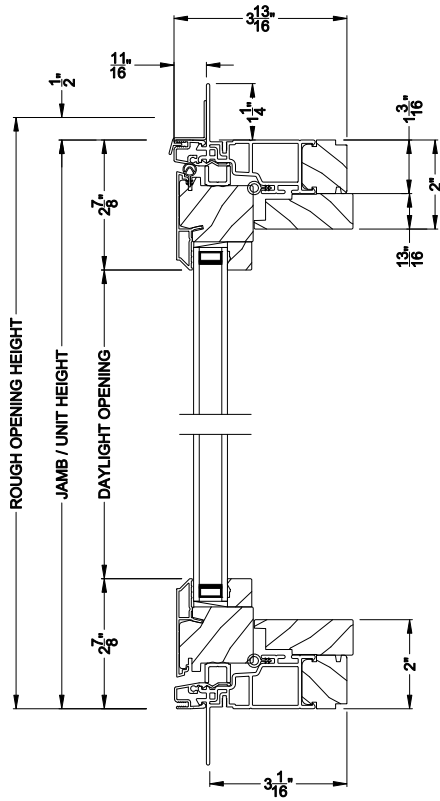
Note: All dimensions are approximate. Weather Shield reserves the right to change specifications without notice.

Weather Shield®

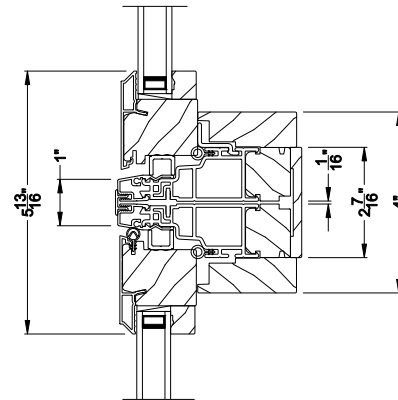
Contemporary Collection™

Casement Picture Windows

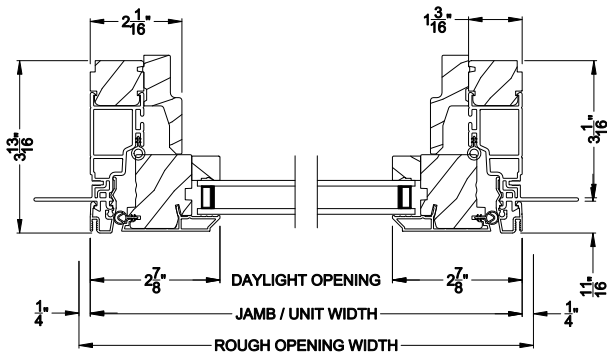
CROSS SECTION DETAILS



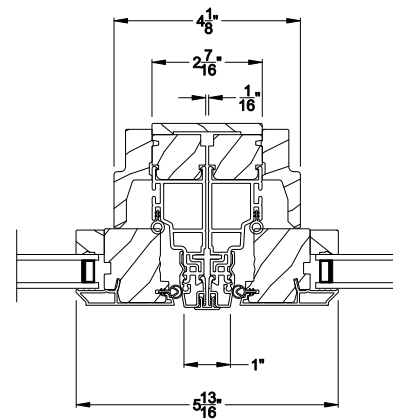
CONTEMPORARY CASEMENT PICTURE WINDOW (8216)
Vertical Section - Flush Frame - 3-1/16" jamb



CONTEMPORARY CASEMENT PICTURE WINDOW
Horizontal Stack Section - Transom Stack over Casement Picture



CONTEMPORARY CASEMENT PICTURE WINDOW (8216)
Horizontal Section - Flush Frame - 3-1/16" jamb



CONTEMPORARY CASEMENT PICTURE WINDOW
Vertical Mull Section

Note: All dimensions are approximate. Weather Shield reserves the right to change specifications without notice.