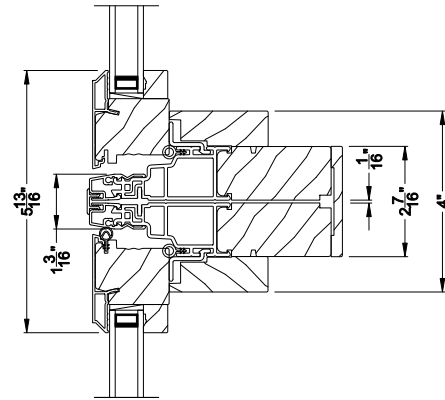
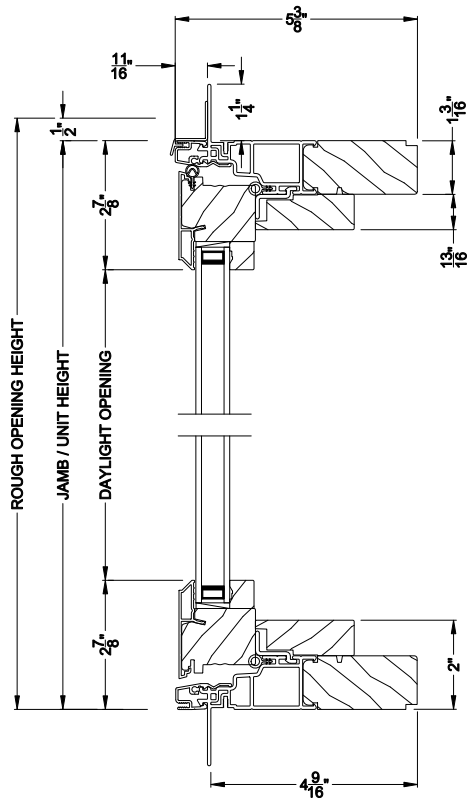


Weather Shield®

Contemporary Collection™

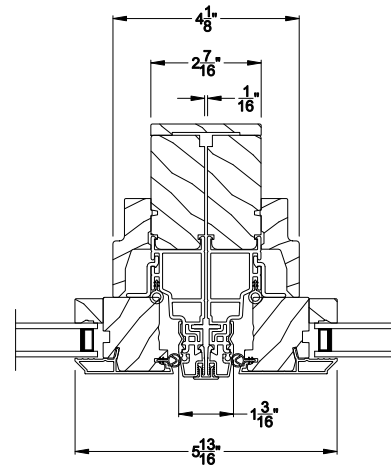
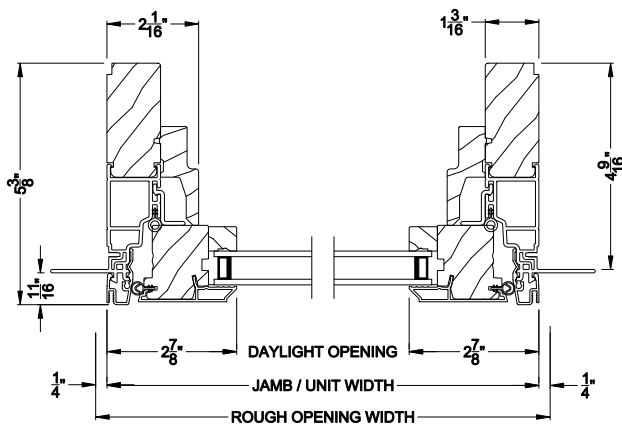
Stationary Awning Windows

CROSS SECTION DETAILS



CONTEMPORARY STATIONARY AWNING WINDOW
Vertical Section - Transom Stack over Stat Awning

CONTEMPORARY STATIONARY AWNING WINDOW (8216)
Vertical Section - Flush Frame



CONTEMPORARY STATIONARY AWNING WINDOW
Horizontal Mull Section

CONTEMPORARY STATIONARY AWNING WINDOW (8216)
Horizontal Section - Flush Frame

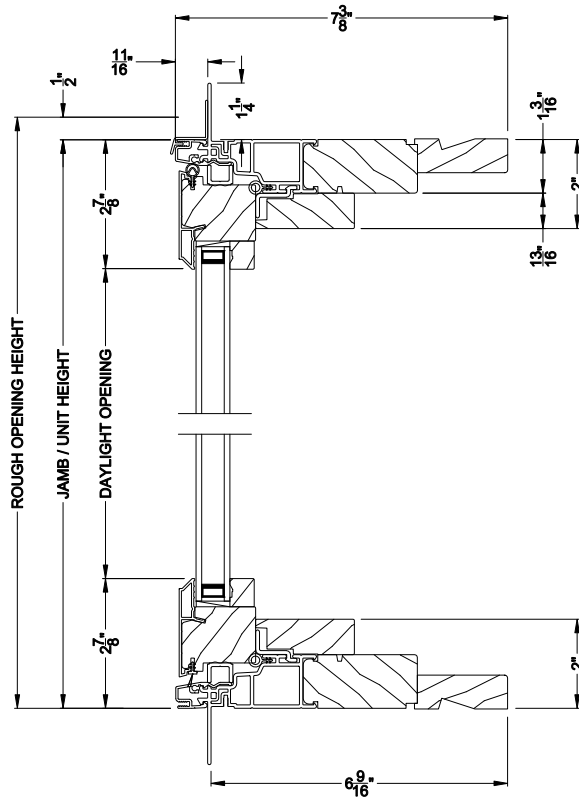
Note: All dimensions are approximate. Weather Shield reserves the right to change specifications without notice.

Weather Shield®

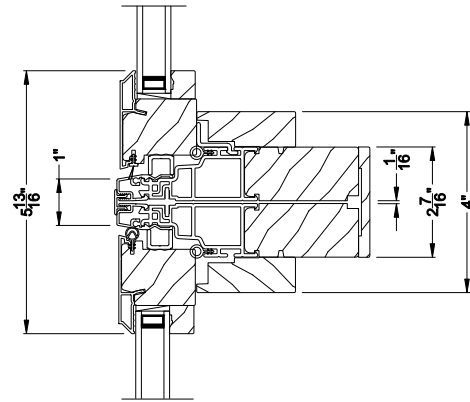
Contemporary Collection™

Stationary Awning Windows

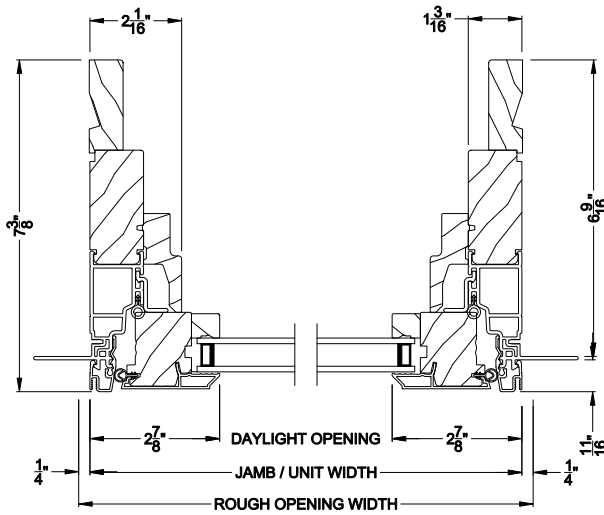
CROSS SECTION DETAILS



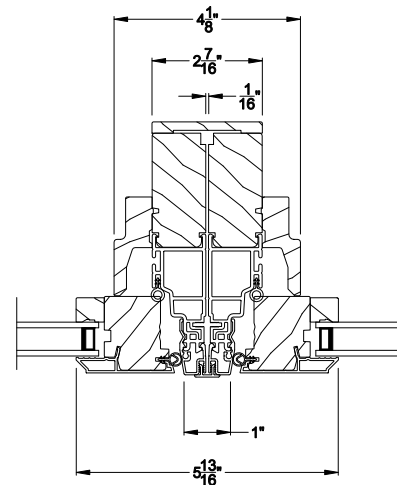
CONTEMPORARY STATIONARY AWNING WINDOW (8211)
Vertical Section - Flush Frame - 6-9/16" jamb



CONTEMPORARY STATIONARY AWNING WINDOW
Vertical Section - Transom Stack over Stat Awning



CONTEMPORARY STATIONARY AWNING WINDOW (8211)
Horizontal Section - Flush Frame - 6-9/16" jamb



CONTEMPORARY STATIONARY AWNING WINDOW
Horizontal Mull Section

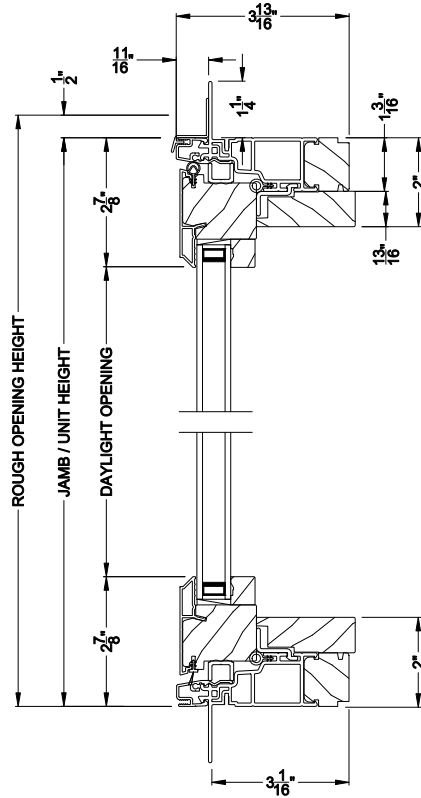
Note: All dimensions are approximate. Weather Shield reserves the right to change specifications without notice.

Weather Shield®

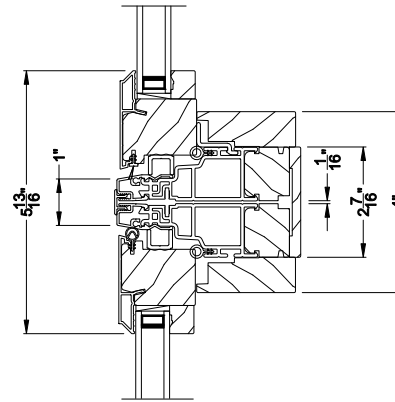
Contemporary Collection™

Stationary Awning Windows

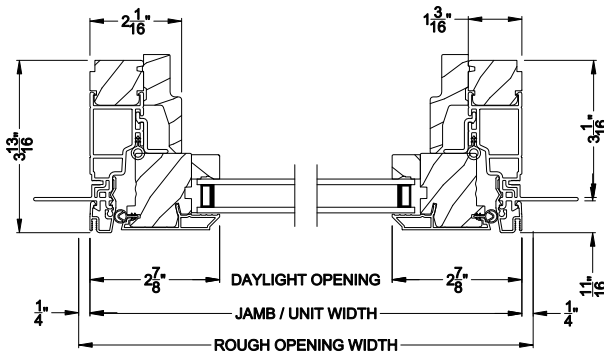
CROSS SECTION DETAILS



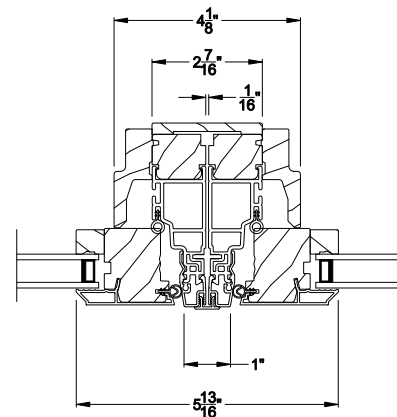
CONTEMPORARY STATIONARY AWNING WINDOW (8211)
Vertical Section - Flush Frame - 3-1/16" jamb



CONTEMPORARY STATIONARY AWNING WINDOW
Vertical Section - Transom Stack over Stat Awning



CONTEMPORARY STATIONARY AWNING WINDOW (8211)
Horizontal Section - Flush Frame - 3-1/16" jamb



CONTEMPORARY STATIONARY AWNING WINDOW
Horizontal Mull Section

Note: All dimensions are approximate. Weather Shield reserves the right to change specifications without notice.