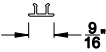
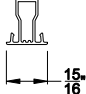
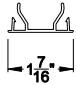
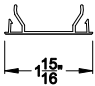
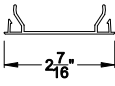
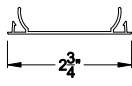
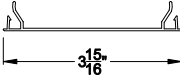
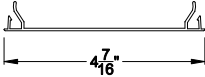
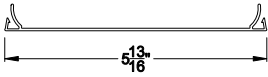
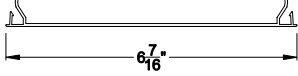
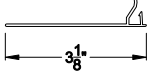
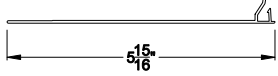
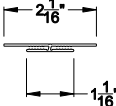
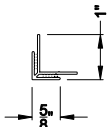
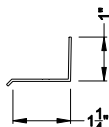
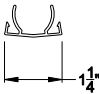
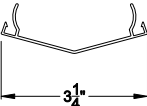
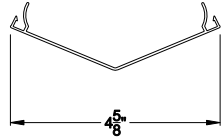


Weather Shield®

Premium Series™

Clad Accessories and Trim

CROSS SECTION DETAILS

60-4196-01 (176") 	P0130000 (176") 	85-11070-01 
DIRECT MULL CLIP	1/2" MULL COVER	1" MULL COVER
04-2224-02 (176") 	04-2225-02 (176") 	60-5990 (176") 
1 1/2" MULL COVER	2" MULL COVER	2 1/4" MULL COVER
04-2226-02 (176") 	85-10571-01 (176") 	60-13020-01 
3 1/2" MULL COVER	4" MULL COVER	5 1/2" MULL COVER
85-10572-01 (176") 	04-2175-02 (176") 	04-2176-02 (176") 
6" MULL COVER	SHORT TRIM FLANGE	LONG TRIM FLANGE
04-2300-02 (174") 	04-2097-02 (174") 	04-2064-02 (176") 
MULL RECEPTOR	90° CORNER COVER	DRIP CAP
A1616 (174") 	A1615 (174") 	A1608 (174") 
10° BAY MULL COVER	30° BAY MULL COVER	45° BAY MULL COVER

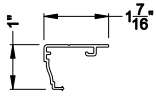
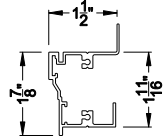
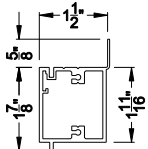
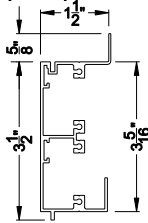
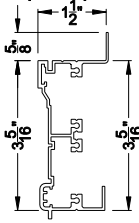
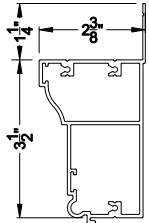
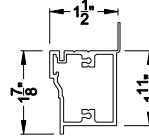
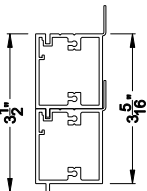
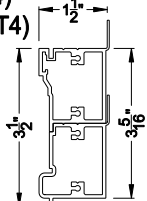
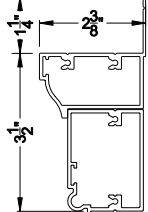
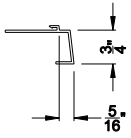
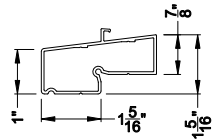
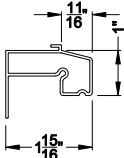
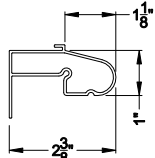
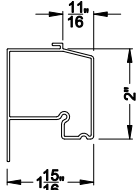
Note: All dimensions are approximate. Weather Shield reserves the right to change specifications without notice.

Weather Shield®

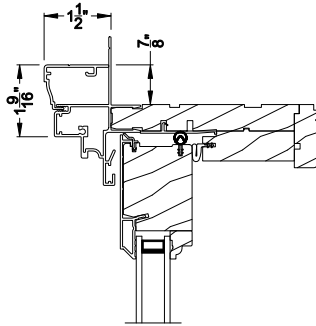
Premium Series™

Clad Accessories and Trim

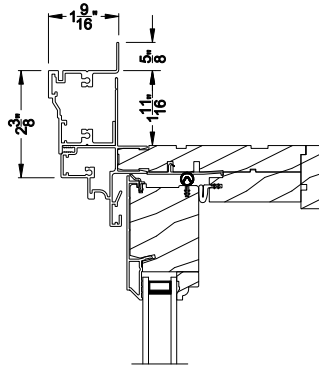
CROSS SECTION DETAILS

<p>04-2183-02 (176")</p> 	<p>04-A1549 (228")</p> 	<p>04-A8638 (228" T4)</p> 
7/8" BRICKMOULD	1-11/16" BRICKMOULD	1-11/16" FLAT CASING
<p>04-A1545 (228")</p> 	<p>04-2181-02 (228")</p> 	<p>45-02285</p> 
3-5/16" FLAT CASING	HISTORICAL BRICKMOULD	3-1/2" Mid-Atlantic Casing
<p>04-A8637 (228" T4)</p> 	<p>04-A8638 x2 (228" T4)</p> 	<p>04-A8637 (228" T4) 04-2182-02 (176" T4)</p> 
Bendable Profile	2 Piece Bendable Profile	2 Piece Bendable Profile
1-11/16" BRICKMOULD	FLAT CASING	HISTORICAL BRICKMOULD
<p>45-02313 45-02317</p> 	<p>04-A1552 (176")</p> 	<p>45-02287</p>  <p>*Mid Atlantic Casing uses this sill nose only</p>
Mid-Atlantic Casing (Bendable)	3/4" SILL NOSING	1-5/16" Projected Sill Nosing
<p>60-9561 (176")</p> 	<p>60-9601 (176")</p> 	<p>60-9962 (176")</p> 
End Caps Available	End Caps Available	End Caps Available
#9561 1" BULL NOSE	1" FULL ROUND BULL NOSE	#9962 2" BULL NOSE

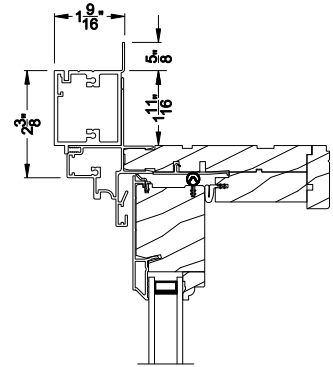
Note: All dimensions are approximate. Weather Shield reserves the right to change specifications without notice.



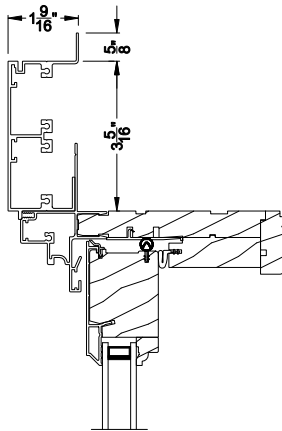
7/8" BRICKMOULD
Head Section Detail



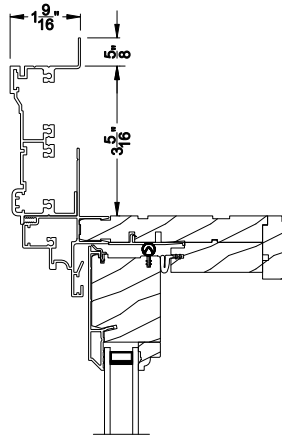
1 11/16" BRICKMOULD
Head Section Detail



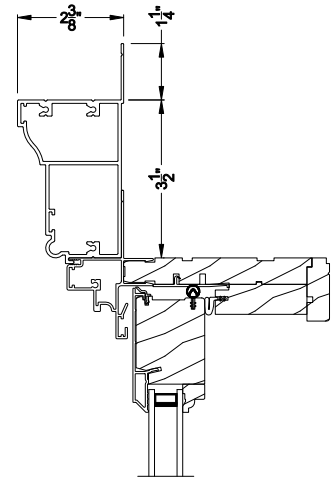
1 11/16" FLAT CASING
Head Section Detail



3 5/16" FLAT CASING
Head Section Detail

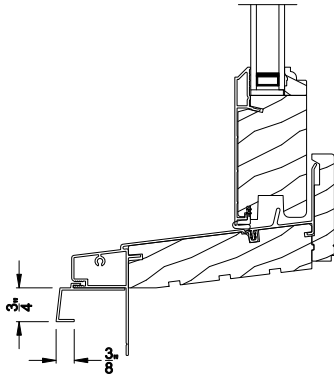


3 5/16" HISTORICAL BRICKMOULD
Head Section Detail

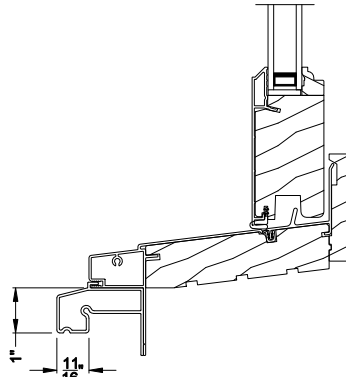


Mid Atlantic Casing
Head Section Detail

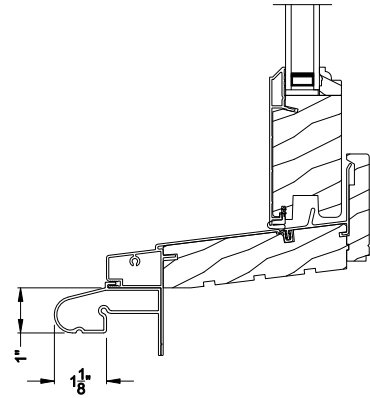
Note: All dimensions are approximate. Weather Shield reserves the right to change specifications without notice.



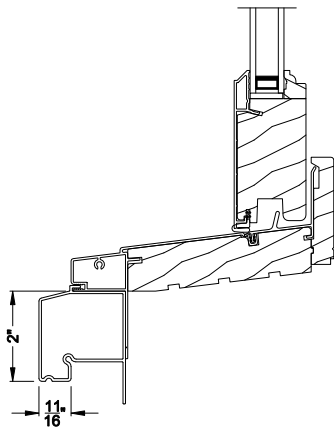
3/4" BULL NOSE
Sill Section Detail



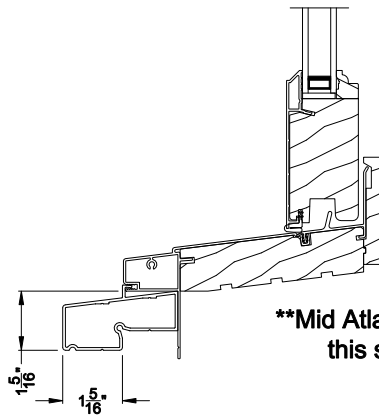
1" BULL NOSE*
Sill Section Detail



1" FULL ROUND BULL NOSE*
Sill Section Detail



2" BULL NOSE*
Sill Section Detail



1 5/16" PROJECTED SILL NOSE*
Sill Section Detail

****Mid Atlantic Casing uses
this sill nose only**

* Available with color matched end caps.

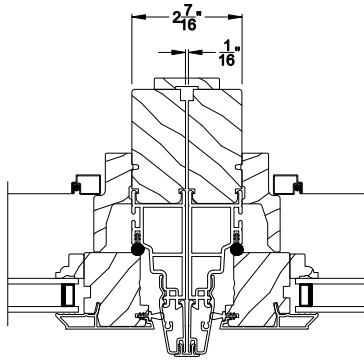
Note: All dimensions are approximate. Weather Shield reserves the right to change specifications without notice.

Weather Shield®

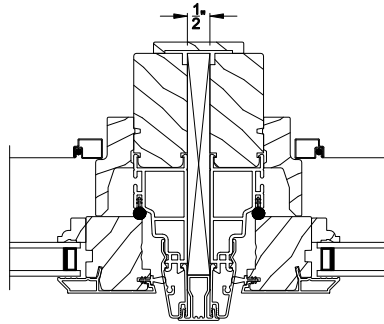
Premium Series™

Clad Trim Applications

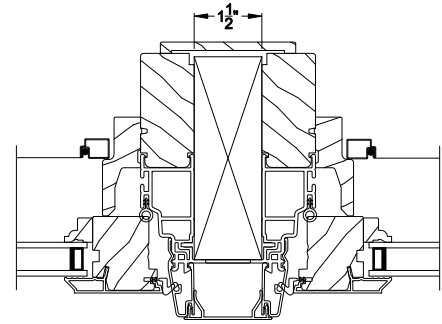
CROSS SECTION DETAILS



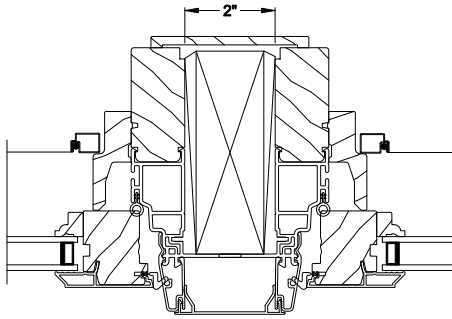
TIGHT MULL
Jamb Section Detail



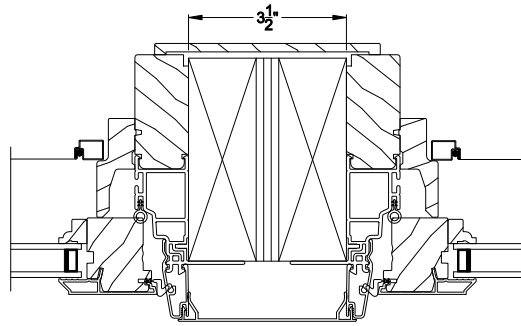
1/2" SPREAD MULL
Jamb Section Detail



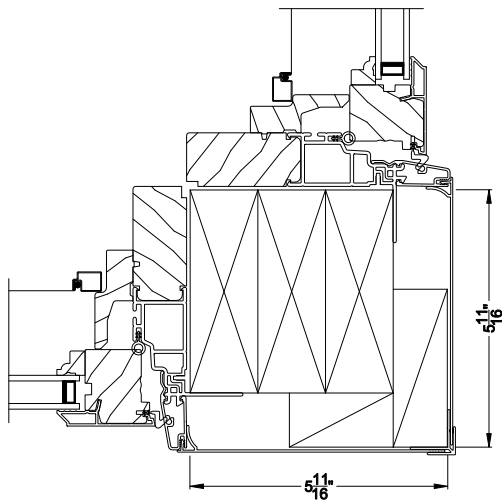
1 1/2" SPREAD MULL
Jamb Section Detail



2" SPREAD MULL
Jamb Section Detail



3 1/2" SPREAD MULL
Jamb Section Detail



90 DEGREE CORNER MULL
Jamb Section Detail

NOTE: Drawings show typical filed mull applications.
Factory mullered units may vary.

Note: All dimensions are approximate. Weather Shield reserves the right to change specifications without notice.