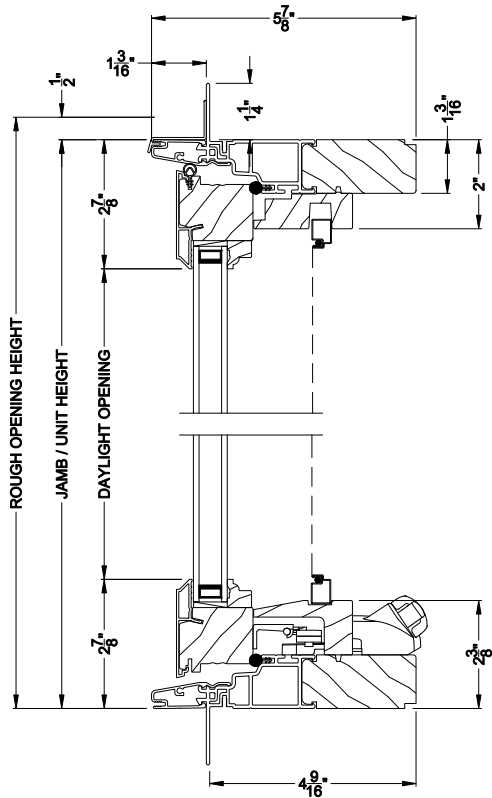


Weather Shield®

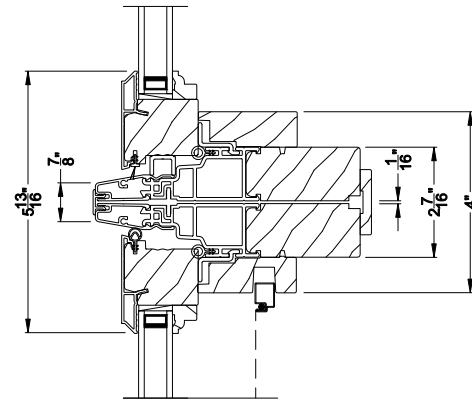
Premium Series™

Awning Windows

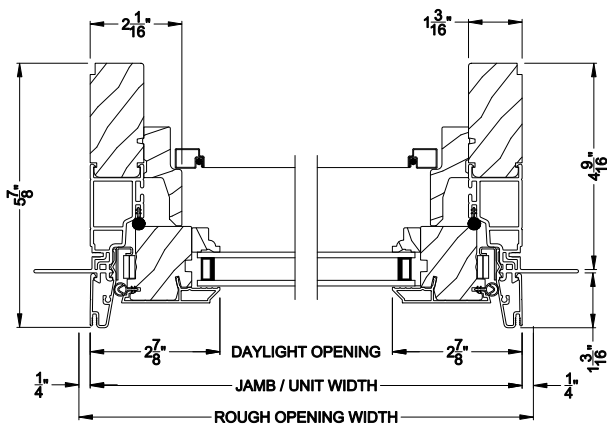
CROSS SECTION DETAILS



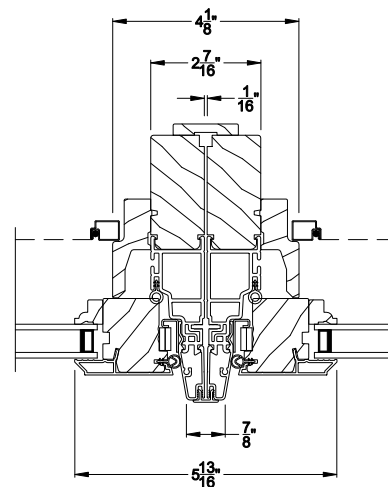
PREMIUM AWNING WINDOW (8211)
Vertical Section



PREMIUM AWNING WINDOW
Horizontal Stack Section - Transom Stack over Awning



PREMIUM AWNING WINDOW (8211)
Horizontal Section



PREMIUM AWNING WINDOW
Vertical Mull Section

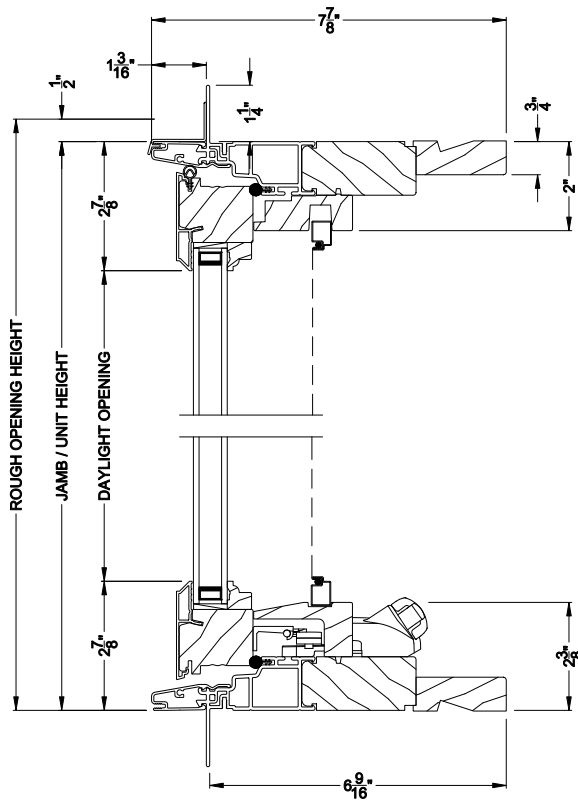
Note: All dimensions are approximate. Weather Shield reserves the right to change specifications without notice.

Weather Shield®

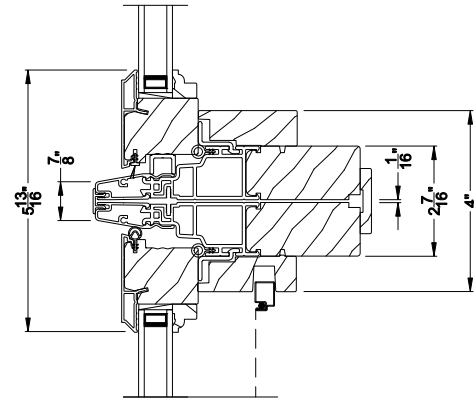
Premium Series™

Awning Windows

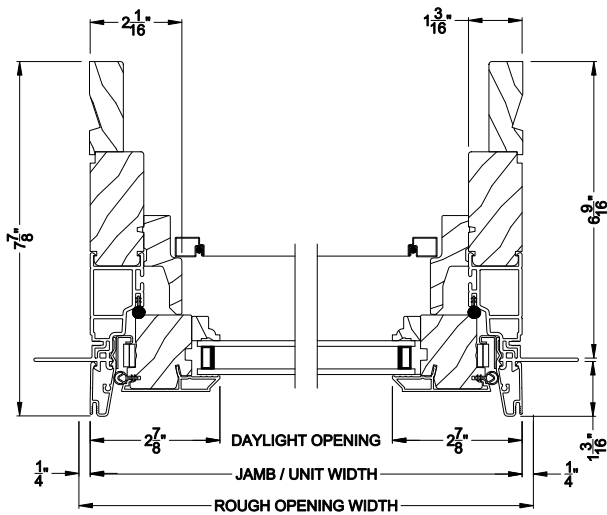
CROSS SECTION DETAILS



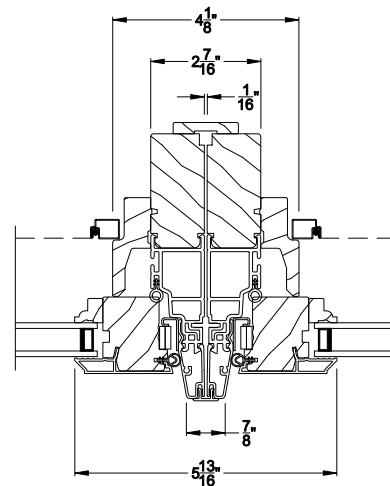
PREMIUM AWNING WINDOW (8211)
Vertical Section - 6-9/16" jamb



PREMIUM AWNING WINDOW
Horizontal Stack Section - Transom Stack over Awning



PREMIUM AWNING WINDOW (8211)
Horizontal Section - 6-9/16" jamb



PREMIUM AWNING WINDOW
Vertical Mull Section

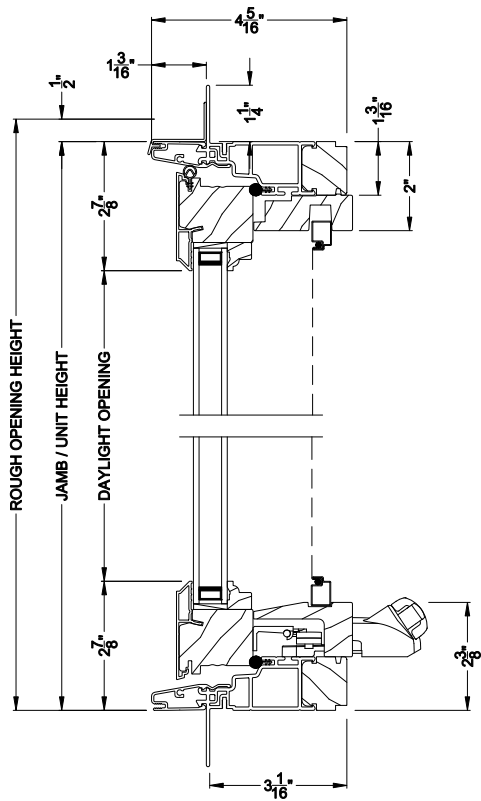
Note: All dimensions are approximate. Weather Shield reserves the right to change specifications without notice.

Weather Shield®

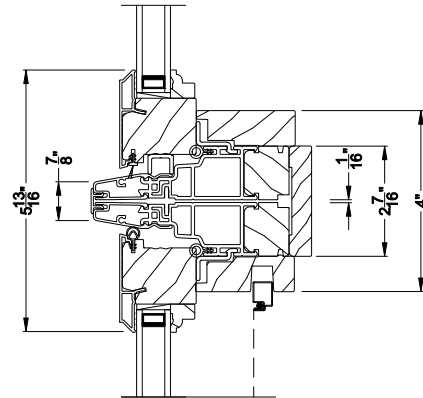
Premium Series™

Awning Windows

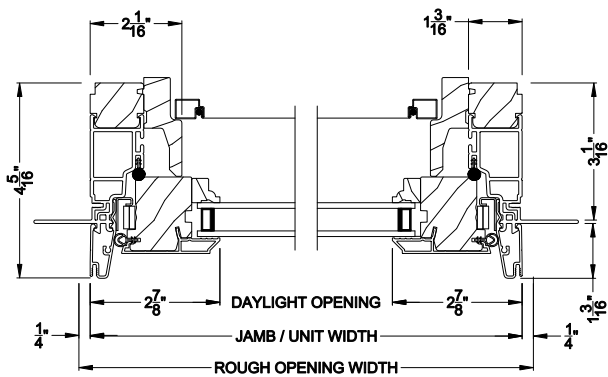
CROSS SECTION DETAILS



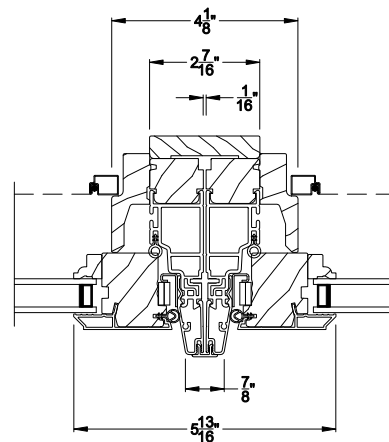
PREMIUM AWNING WINDOW (8211)
Vertical Section - 3-1/16" jamb



PREMIUM AWNING WINDOW
Horizontal Stack Section - Transom Stack over Awning



PREMIUM AWNING WINDOW (8211)
Horizontal Section - 3-1/16" jamb



PREMIUM AWNING WINDOW
Vertical Mull Section

Note: All dimensions are approximate. Weather Shield reserves the right to change specifications without notice.