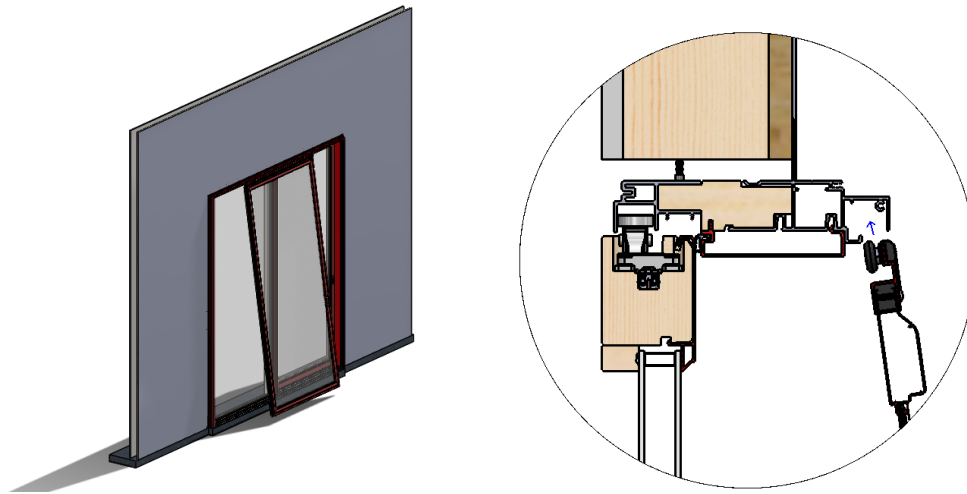
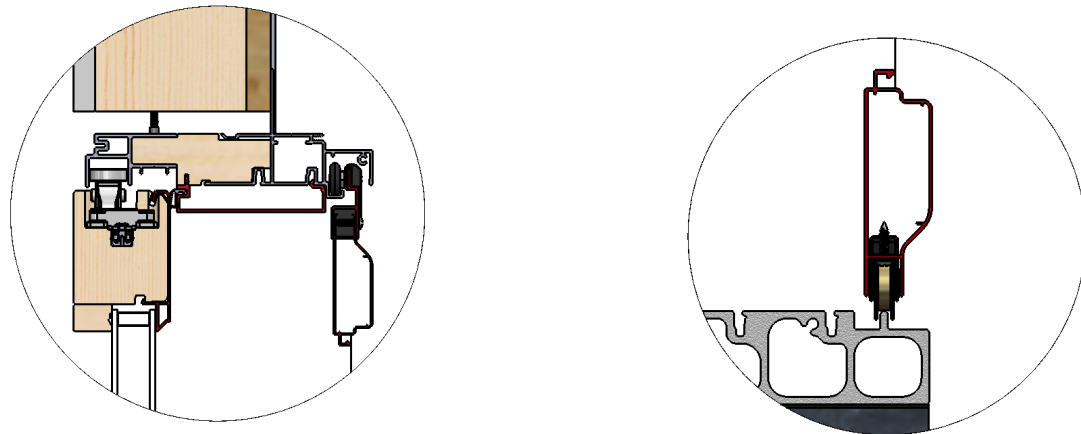


CONTEMPORARY COLLECTION

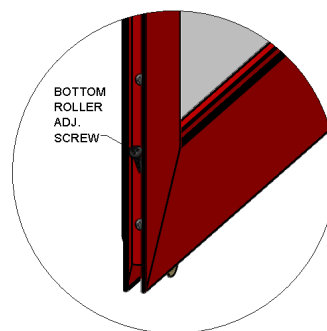
NEXT GEN SLIDING DOOR SCREEN INSTALLATION



1. Insert the top of the screen up into the Screen Rail Track Cavity. Lift up on the screen and guide the top rollers on to the track so the screen hangs.



2. Use a putty knife to lift and guide the bottom wheels up on to the sill track. For best result adjust the bottom rollers so that there is no pressure on the bottom wheels. The screen glides the smoothest when hanging from the top wheels. Use the bottom wheels to keep the bottom on the track but not enough to lift the screen up. The bottom wheels can be adjusted by the angled black screw at the bottom two corners.



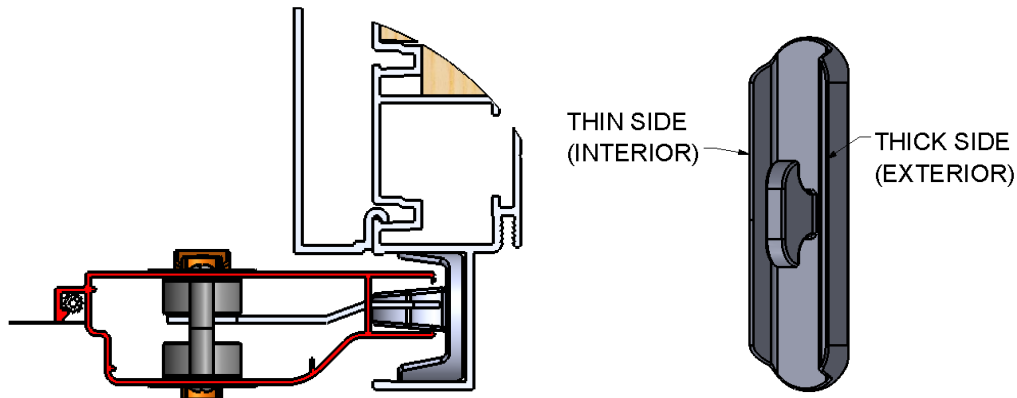
CONTEMPORARY COLLECTION

NEXT GEN SLIDING DOOR SCREEN INSTALLATION

3. Install the Keeper:

For 2 wide doors:

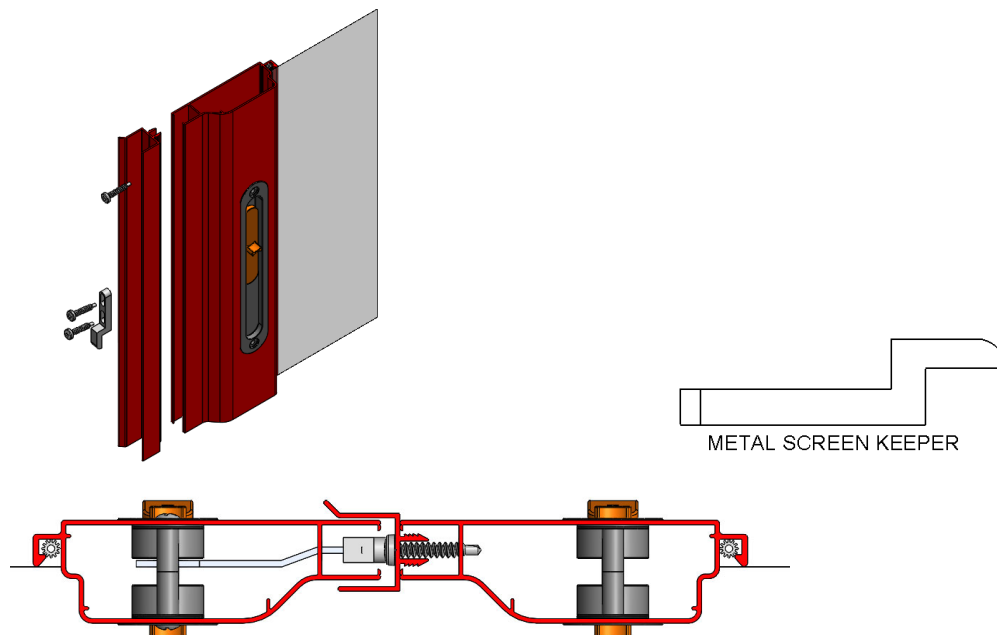
Use the plastic keeper. Position the keeper so that the thin edge is towards the door panel and the thick edge is to the exterior. Position so that the screen latch engages the hook leg on the screen keeper. Once position is confirmed, remove adhesive backing and stick in place.



For 4 Wide Doors:

Install the Astragal:

Screw the screen astragal to the secondary screen panel using the #8 x 1" Pan Head screws provided. For bi-parting doors use the smaller metal screen keeper. Attach the keeper to the screen astragal so that the latch mechanism will engage the keeper when pushed close.



Step 4: Test the screen by opening and closing. For best results remove tension from the bottom screen rollers by turning the adjustment screws counterclockwise.