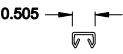

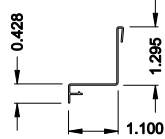
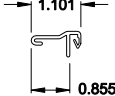
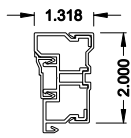
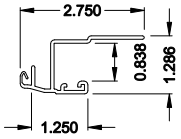
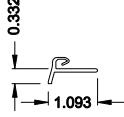
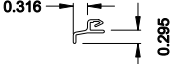
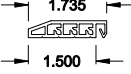
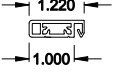
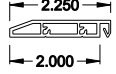
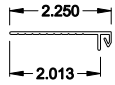
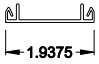
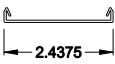
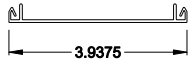


Weather Shield®

Aspire Series™

Vinyl Accessories and Trim

CROSS SECTION DETAILS

<p>85-7652 (174")</p> 	<p>V-1143 (174")</p> 	<p>85-2669 (174")</p> 	<p>V-1060X (174")</p> 
DIRECT MULL CLIP	1/2" MULL CLIP	DRIP CAP	"J" CHANNEL
<p>70-5701 (174") 70-5715 (174") 85-7803 (174")</p> 	<p>60-4092 (174")</p> 	<p>60-0666 (174")</p> 	<p>V-1063 (174")</p> 
RENO. BRICKMOULD	BRICKMOULD w/J-CHAN.	SILL NOSING	STUCCO ADAPTER
<p>V-1044 (174")</p> 	<p>60-8121 (174")</p> 	<p>70-6419 (174")</p> 	<p>V-1041X (174")</p> 
Z-FLANGE (1-1/2")	Z-FLANGE (1")	Z-FLANGE (2")	SIMULATED FLAT CASING
<p>60-2975 (174")</p> 	<p>85-11787 (174")</p> 	<p>60-7824 (174")</p> 	
1-1/2" MULL COVER	2" MULL COVER	3-1/2" MULL COVER	

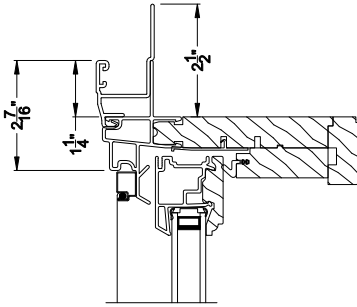
Note: All dimensions are approximate. Weather Shield reserves the right to change specifications without notice.

Weather Shield®

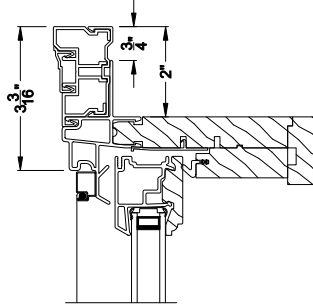
Aspire Series™

Vinyl Trim Applications

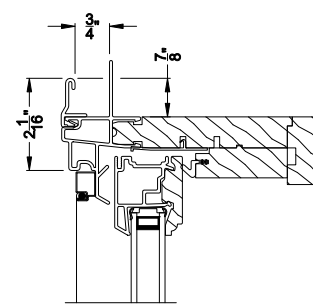
CROSS SECTION DETAILS



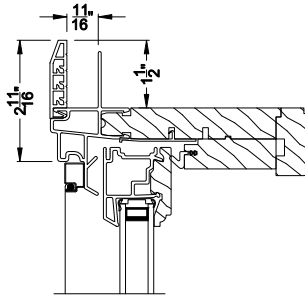
BRICKMOULD w/ J-CHAN.
Head Section Detail



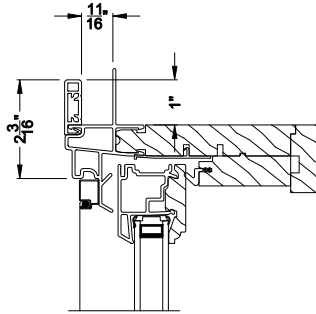
RENO. BRICKMOULD
Head Section Detail



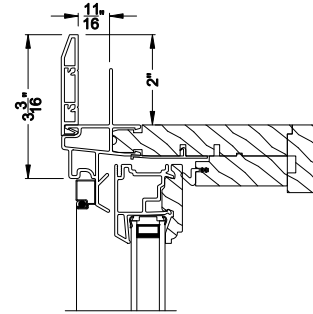
"J" CHANNEL
Head Section Detail



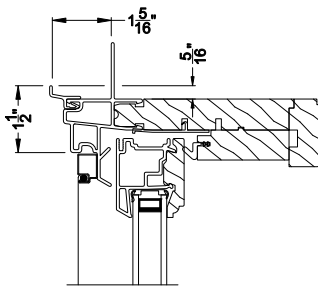
1-1/2" Z-FLANGE
Head Section Detail



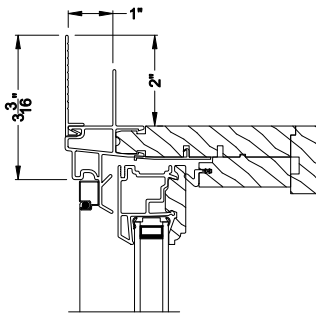
1" Z-FLANGE
Head Section Detail



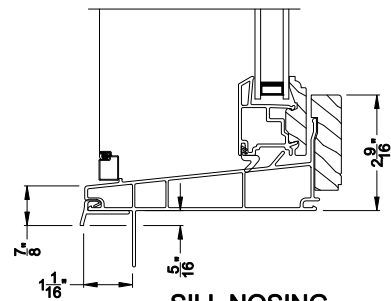
2" Z-FLANGE
Head Section Detail



STUCCO ADAPTER
Head Section Detail

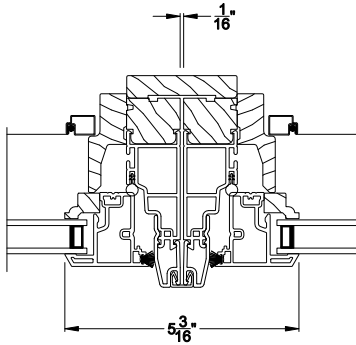


SIMULATED FLAT CASING
Head Section Detail

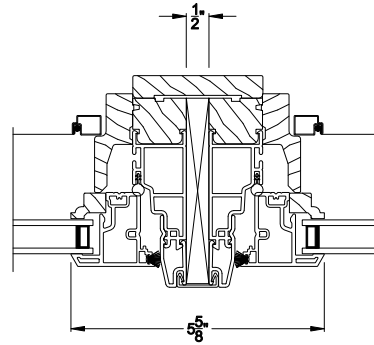


SILL NOSING
Sill Section Detail

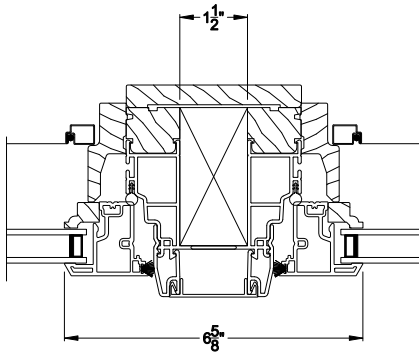
Note: All dimensions are approximate. Weather Shield reserves the right to change specifications without notice.



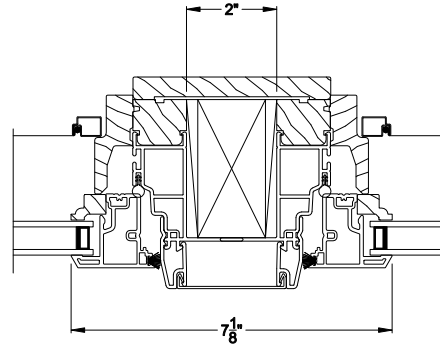
TIGHT MULL
Jamb Section Detail



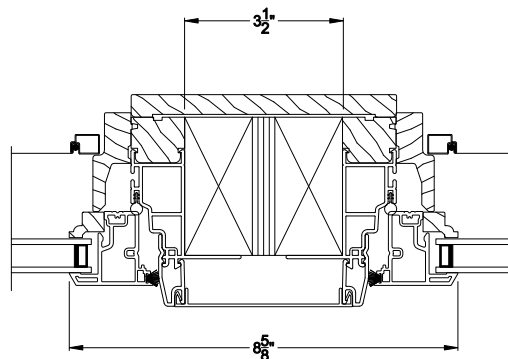
1/2" SPREAD MULL
Jamb Section Detail



1-1/2" SPREAD MULL
Jamb Section Detail



2" SPREAD MULL
Jamb Section Detail



3 1/2" SPREAD MULL
Jamb Section Detail

NOTE: Solid blocking shown is a typical representation and may or may not match production procedures.

Note: All dimensions are approximate. Weather Shield reserves the right to change specifications without notice.