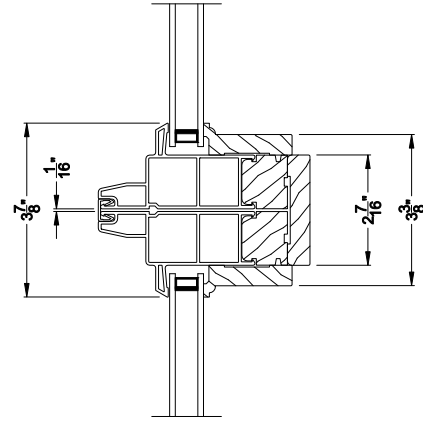
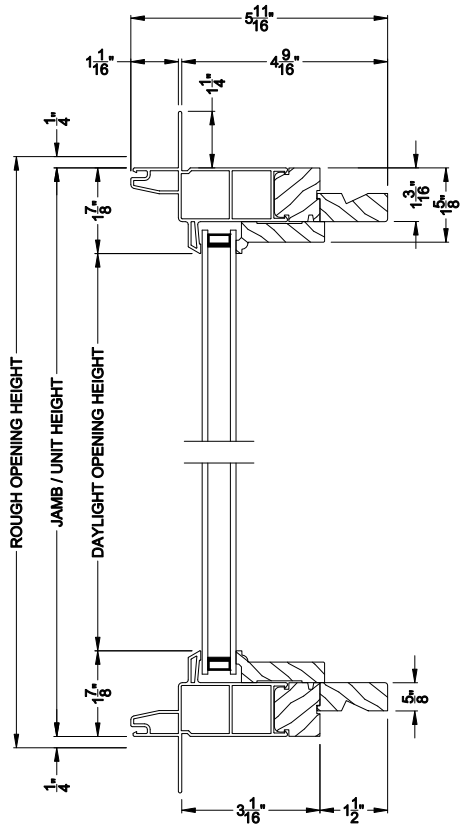


# Weather Shield®

## Aspire Series™

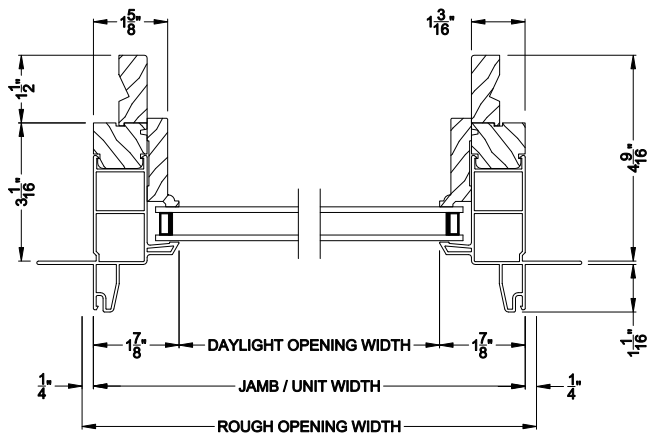
# Special Shape Windows

## CROSS SECTION DETAILS

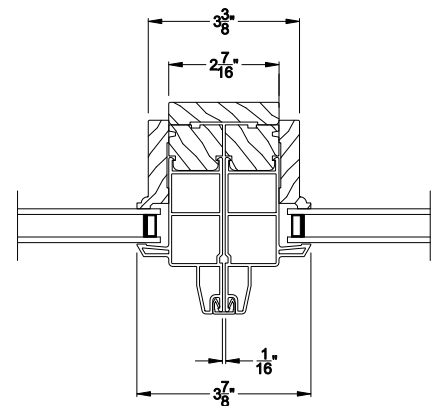


**ASPIRE DIRECT-SET WINDOW**  
Horizontal Stack Section

**ASPIRE DIRECT-SET SPECIAL SHAPE (7305)**  
Vertical Section



**ASPIRE DIRECT-SET SPECIAL SHAPE (7305)**  
Horizontal Section



**ASPIRE DIRECT-SET**  
Vertical Mull Section

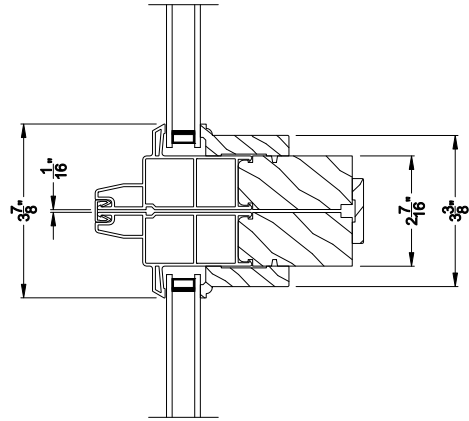
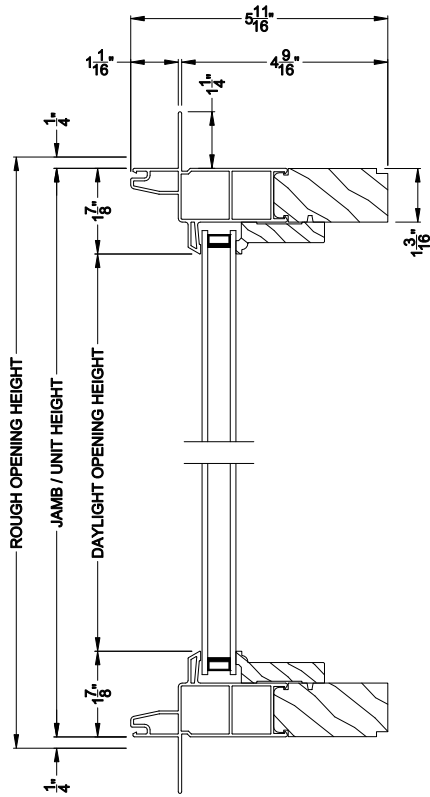
Note: All dimensions are approximate. Weather Shield reserves the right to change specifications without notice.

# Weather Shield®

## Aspire Series™

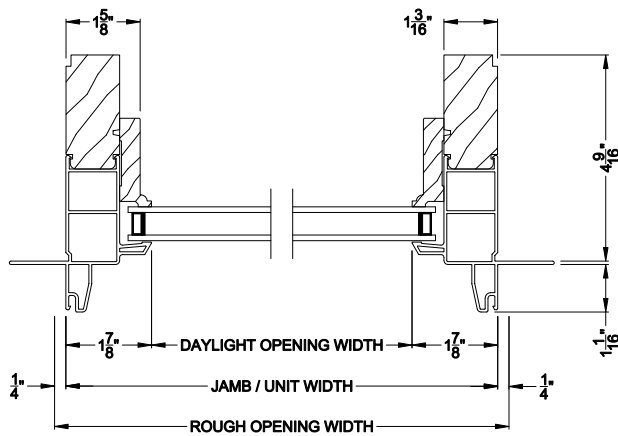
# Special Shape Windows

## CROSS SECTION DETAILS

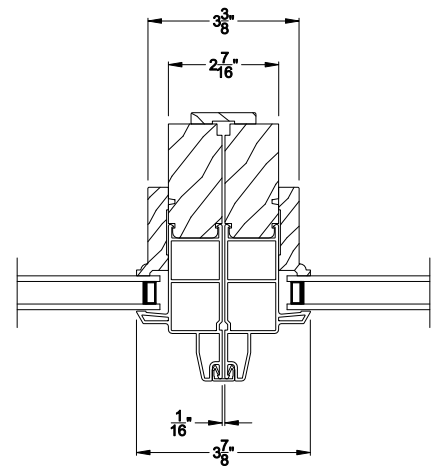


**ASPIRE DIRECT-SET WINDOW**  
Horizontal Stack Section

**ASPIRE DIRECT-SET SPECIAL SHAPE (7305)**  
Vertical Section - 5/4 jamb



**ASPIRE DIRECT-SET SPECIAL SHAPE (7305)**  
Horizontal Section - 5/4 jamb



**ASPIRE DIRECT-SET**  
Vertical Mull Section

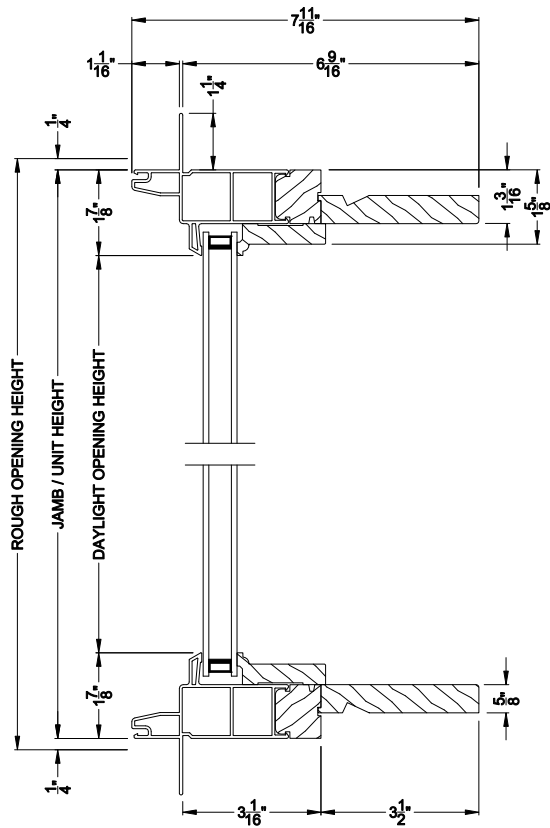
Note: All dimensions are approximate. Weather Shield reserves the right to change specifications without notice.

# Weather Shield®

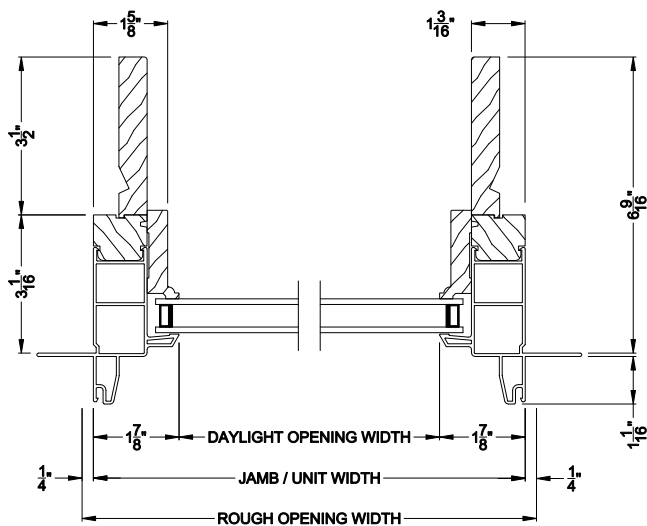
## Aspire Series™

# Special Shape Windows

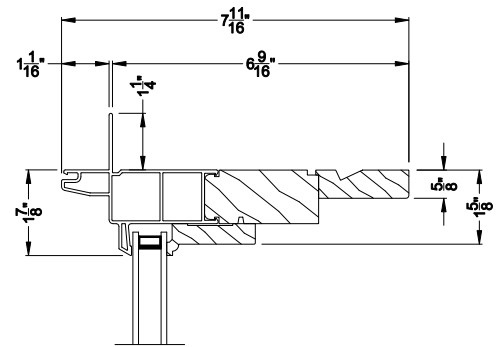
## CROSS SECTION DETAILS



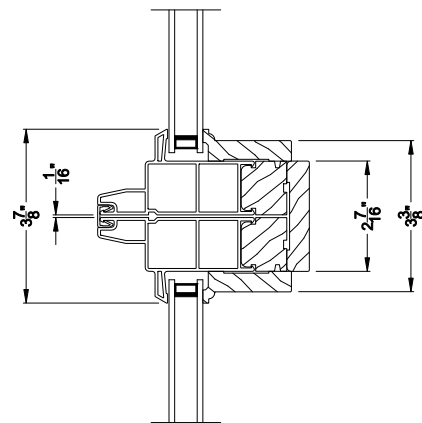
**ASPIRE DIRECT-SET SPECIAL SHAPE (7305)**  
Vertical Section - 6-9/16" jamb



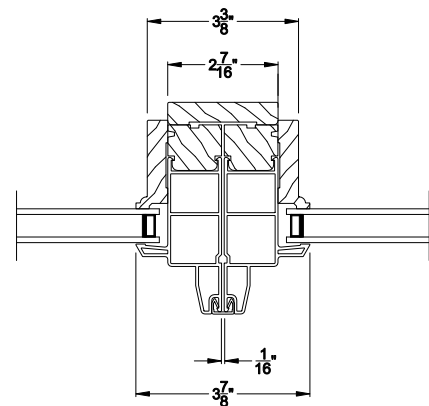
**ASPIRE DIRECT-SET SPECIAL SHAPE (7305)**  
Horizontal Section - 6-9/16" jamb



**ASPIRE DIRECT-SET SPECIAL SHAPE**  
Vertical Section - 5/4 jamb option with extension



**ASPIRE DIRECT-SET WINDOW**  
Horizontal Stack Section



**ASPIRE DIRECT-SET WINDOW**  
Vertical Mull Section

Note: All dimensions are approximate. Weather Shield reserves the right to change specifications without notice.