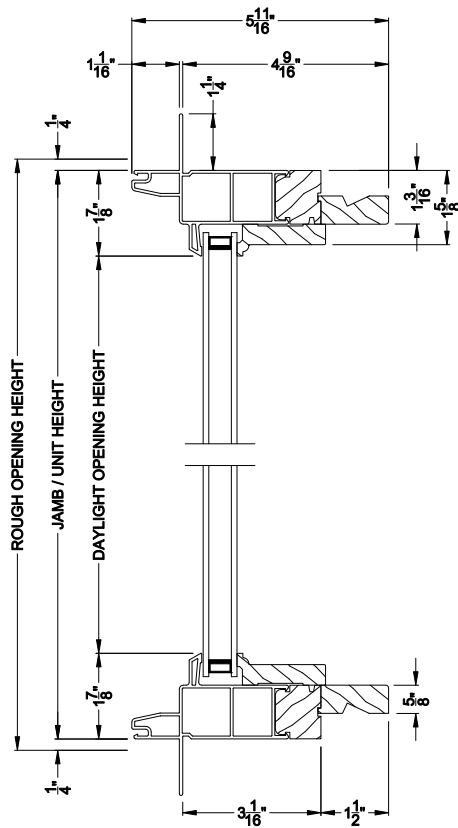


Weather Shield®

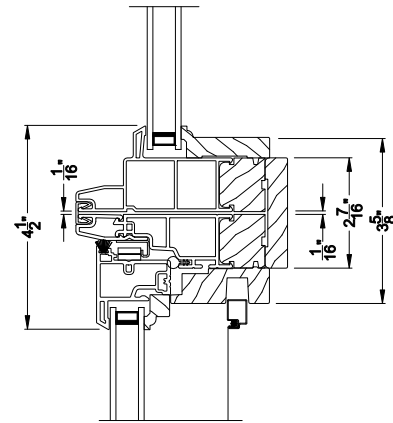
Aspire Series™

Casement Transom Windows

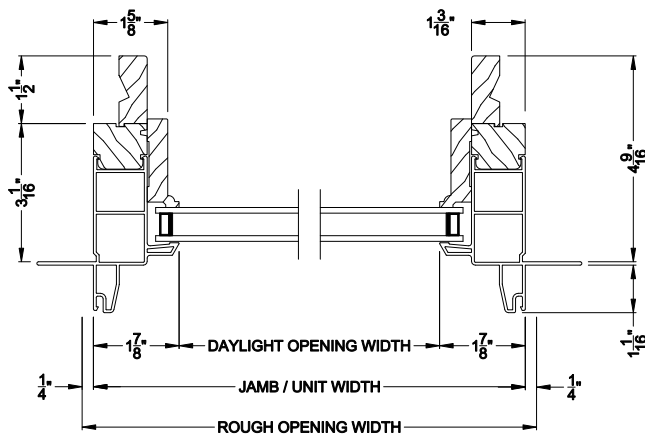
CROSS SECTION DETAILS



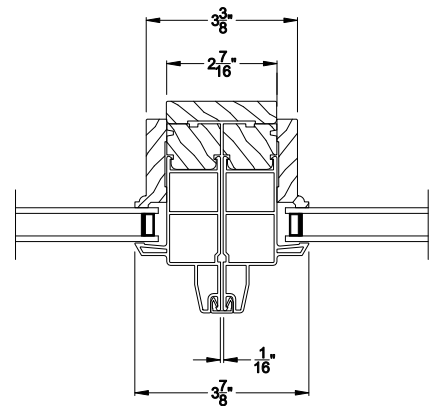
ASPIRE DIRECT-SET / TRANSOM (7305)
Vertical Section



ASPIRE DIRECT-SET / TRANSOM
Horizontal Stack Section - Trans / Cas



ASPIRE DIRECT-SET / TRANSOM (7305)
Horizontal Section



ASPIRE DIRECT-SET TRANSOM WINDOW
Vertical Mull Section - Tran / Tran

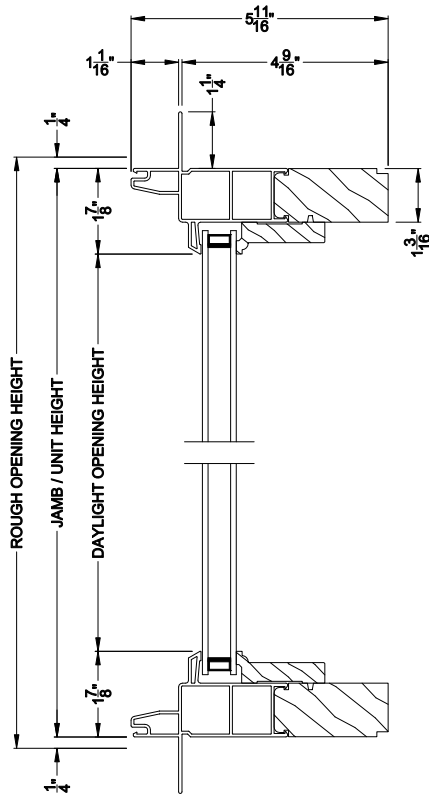
Note: All dimensions are approximate. Weather Shield reserves the right to change specifications without notice.

Weather Shield®

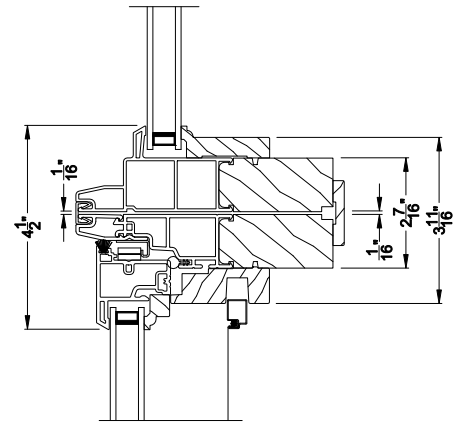
Aspire Series™

Casement Transom Windows

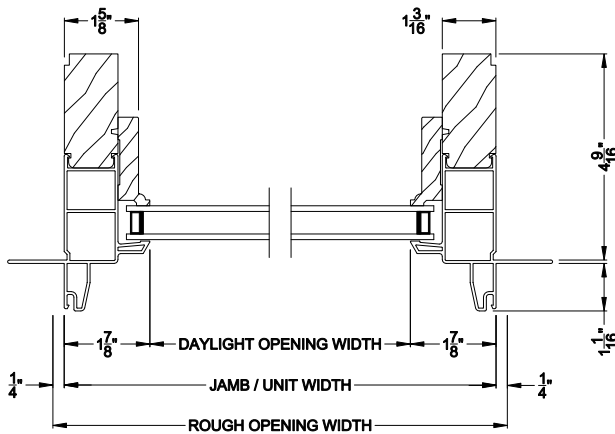
CROSS SECTION DETAILS



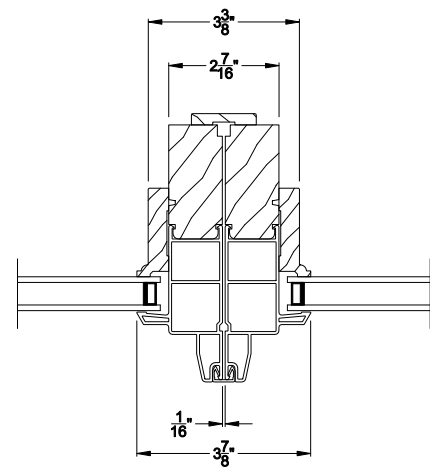
ASPIRE DIRECT-SET / TRANSON (7305)
Vertical Section - 5/4 jamb



ASPIRE DIRECT-SET / TRANSON
Horizontal Stack Section - Trans / Cas



ASPIRE DIRECT-SET / TRANSON (7305)
Horizontal Section - 5/4 jamb



ASPIRE DIRECT-SET TRANSON WINDOW
Vertical Mull Section - Tran / Tran

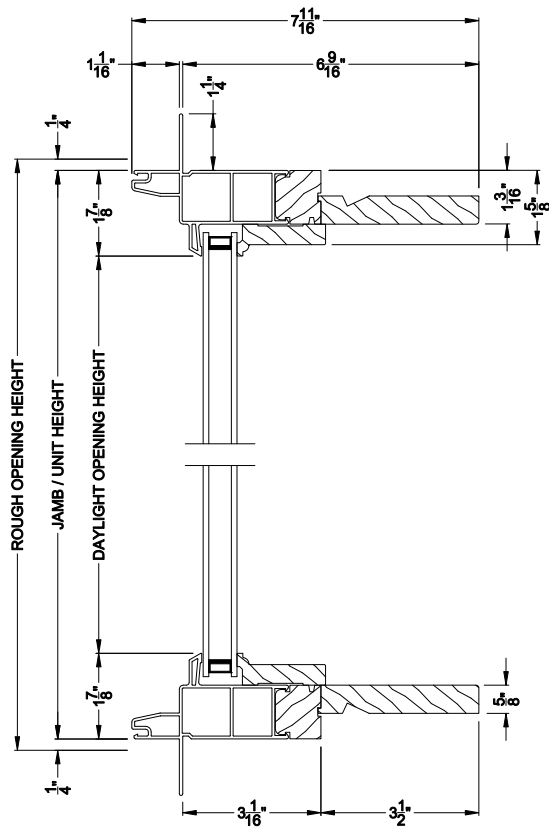
Note: All dimensions are approximate. Weather Shield reserves the right to change specifications without notice.

Weather Shield®

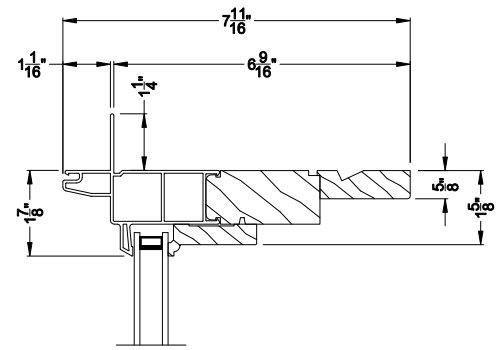
Aspire Series™

Casement Transom Windows

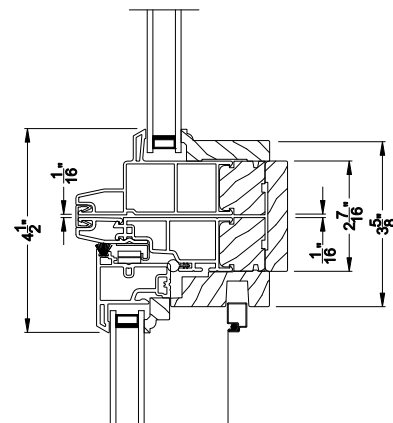
CROSS SECTION DETAILS



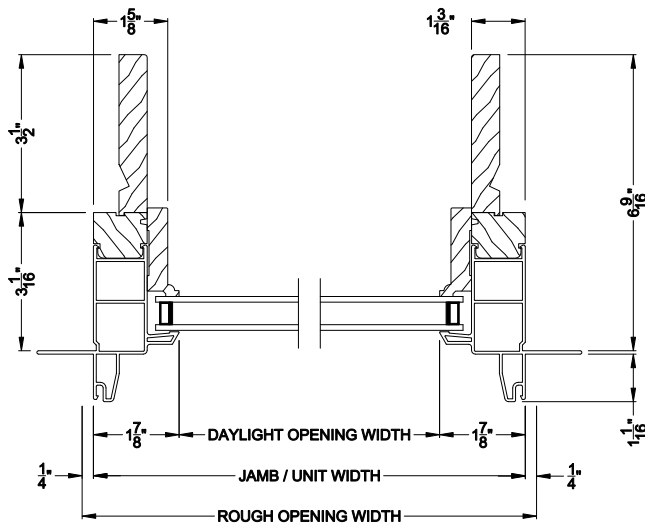
ASPIRE DIRECT-SET / TRANSOM (7305)
Vertical Section - 6-9/16" jamb



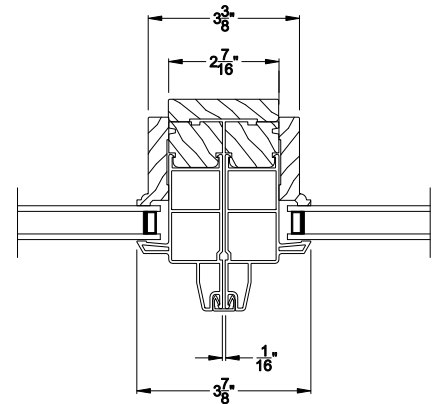
ASPIRE DIRECT-SET / TRANSOM
Vertical Section - 5/4 jamb option with extension



ASPIRE DIRECT-SET / TRANSOM
Horizontal Stack Section - Trans / Cas



ASPIRE DIRECT-SET / TRANSOM (7305)
Horizontal Section - 6-9/16" jamb



ASPIRE DIRECT-SET TRANSOM WINDOW
Vertical Mull Section - Tran / Tran

Note: All dimensions are approximate. Weather Shield reserves the right to change specifications without notice.