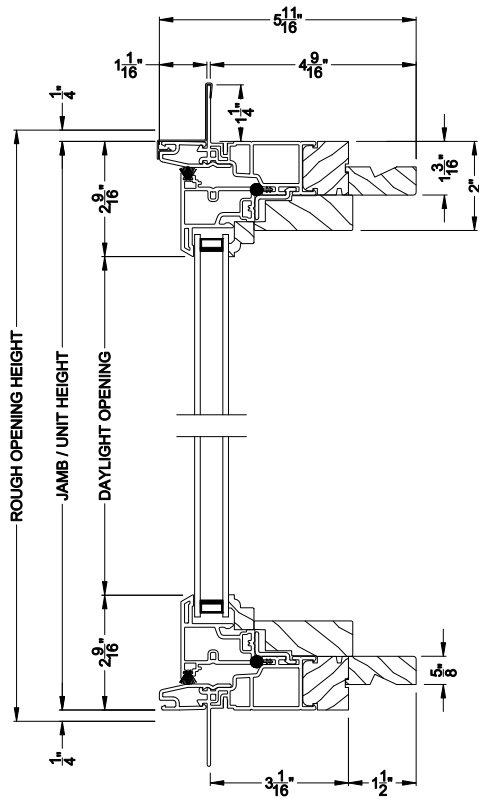


# Weather Shield®

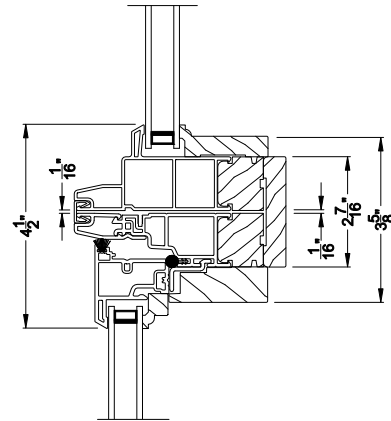
## Aspire Series™

# Casement Picture Windows

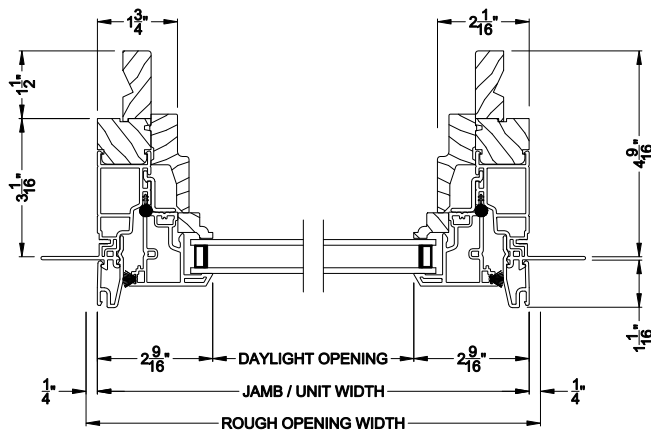
## CROSS SECTION DETAILS



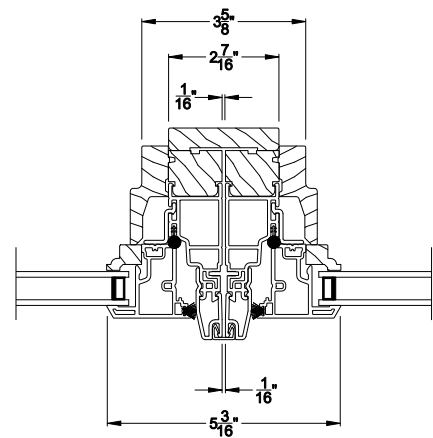
**ASPIRE CASEMENT PICTURE WINDOW (7205)**  
Vertical Section



**ASPIRE CASEMENT PICTURE WINDOW**  
Horizontal Stack Section - Trans / Pic



**ASPIRE CASEMENT PICTURE WINDOW (7205)**  
Horizontal Section



**ASPIRE CASEMENT PICTURE WINDOW**  
Vertical Mull Section - Pic / Pic

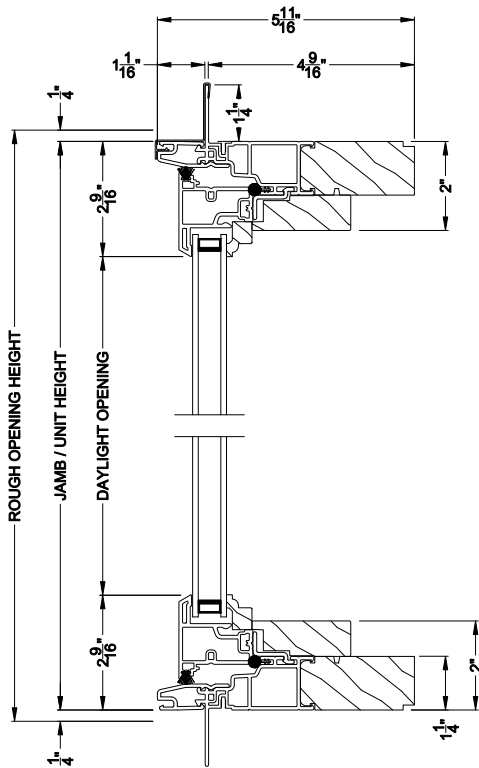
Note: All dimensions are approximate. Weather Shield reserves the right to change specifications without notice.

# Weather Shield®

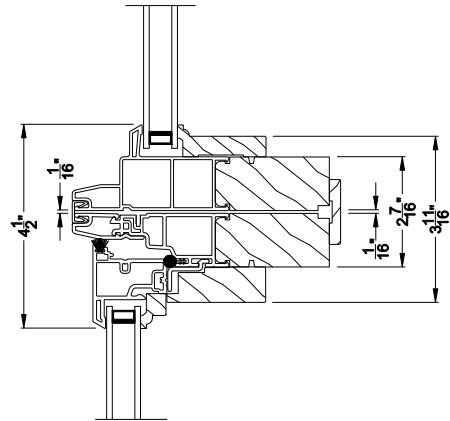
## Aspire Series™

# Casement Picture Windows

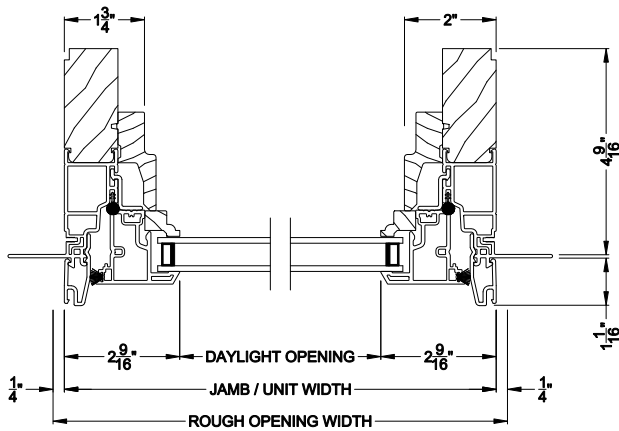
## CROSS SECTION DETAILS



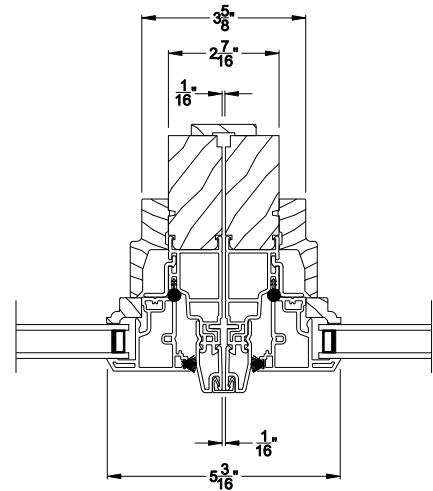
**ASPIRE CASEMENT PICTURE WINDOW (7205)**  
Vertical Section - 5/4 jamb



**ASPIRE CASEMENT PICTURE WINDOW**  
Horizontal Stack Section - Trans / Pic



**ASPIRE CASEMENT PICTURE WINDOW (7205)**  
Horizontal Section - 5/4 jamb



**ASPIRE CASEMENT PICTURE WINDOW**  
Vertical Mull Section - Pic / Pic

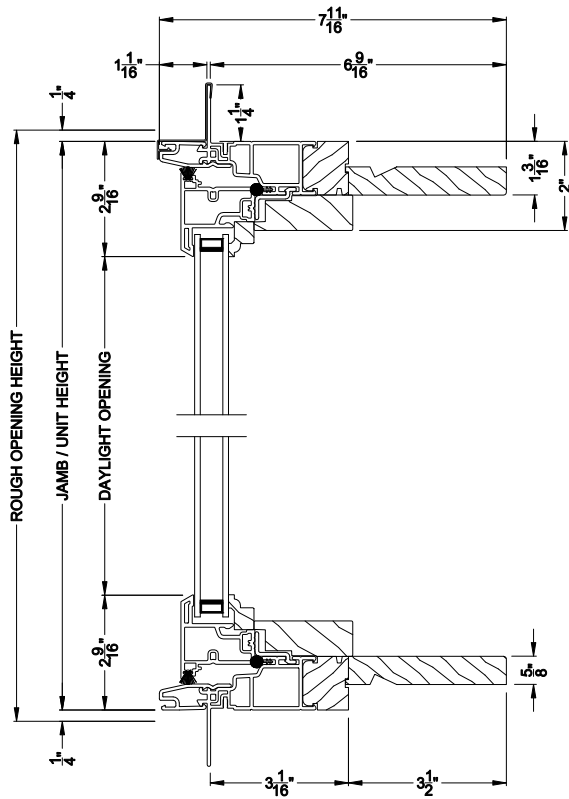
Note: All dimensions are approximate. Weather Shield reserves the right to change specifications without notice.

# Weather Shield®

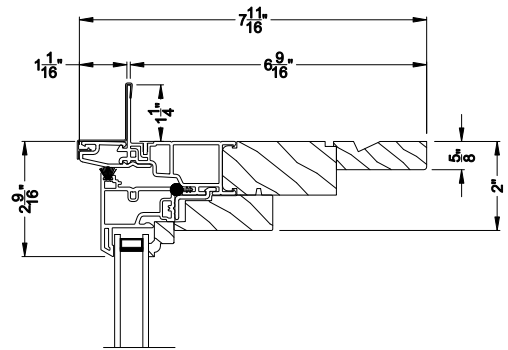
## Aspire Series™

# Casement Picture Windows

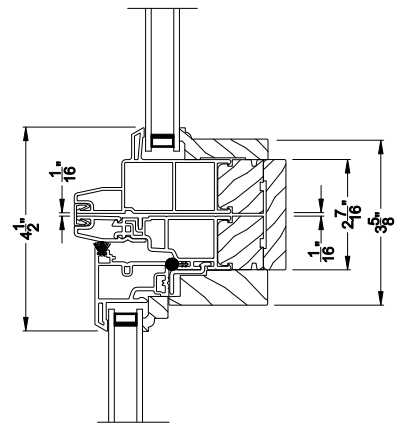
## CROSS SECTION DETAILS



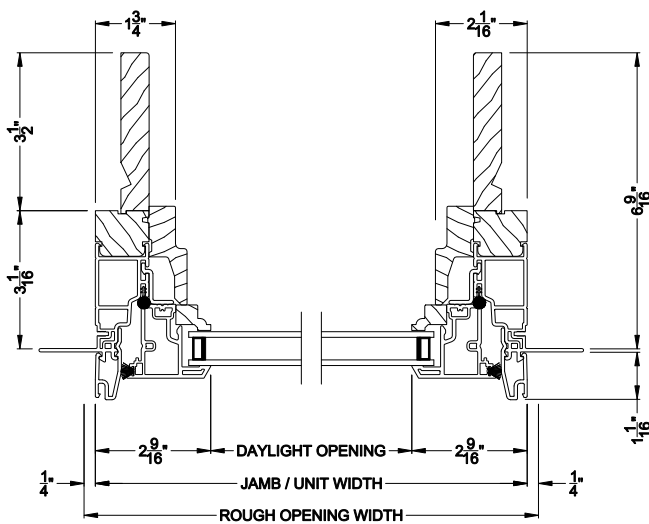
**ASPIRE CASEMENT PICTURE WINDOW (7205)**  
Vertical Section - 6-9/16" jamb



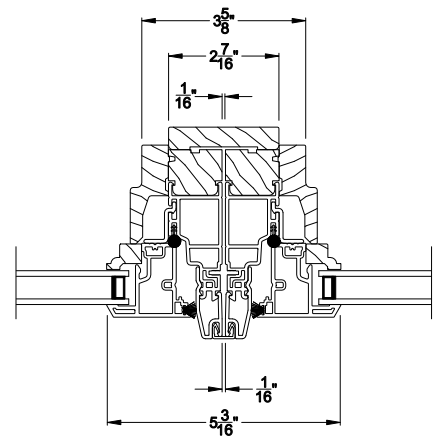
**ASPIRE CASEMENT PICTURE WINDOW**  
Vertical Section - 5/4 jamb option with extension



**ASPIRE CASEMENT PICTURE WINDOW**  
Horizontal Stack Section - Trans / Pic



**ASPIRE CASEMENT PICTURE WINDOW (7205)**  
Horizontal Section - 6-9/16" jamb



**ASPIRE CASEMENT PICTURE WINDOW**  
Vertical Mull Section - Pic / Pic

Note: All dimensions are approximate. Weather Shield reserves the right to change specifications without notice.