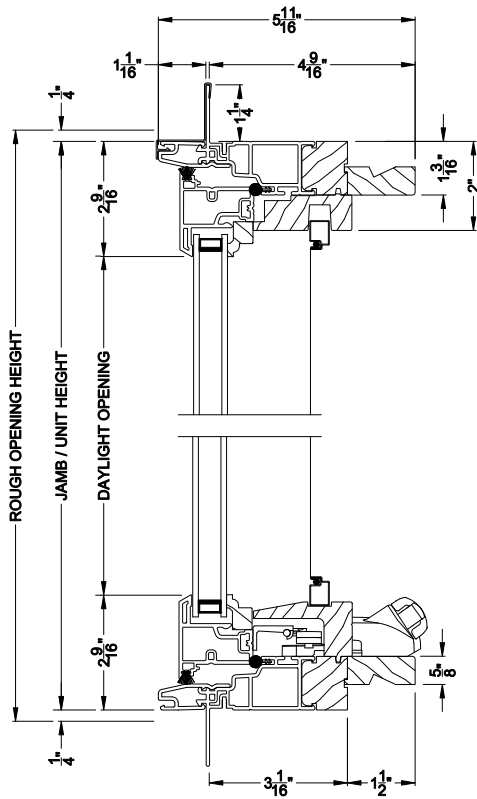


# Weather Shield®

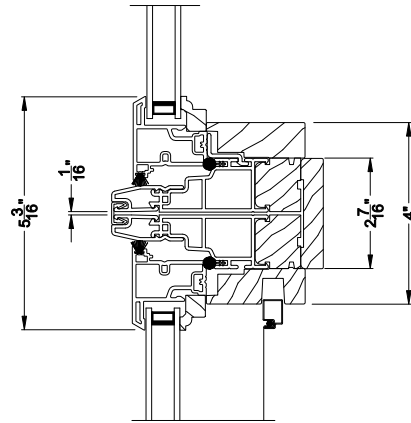
## Aspire Series™

# Awning Windows

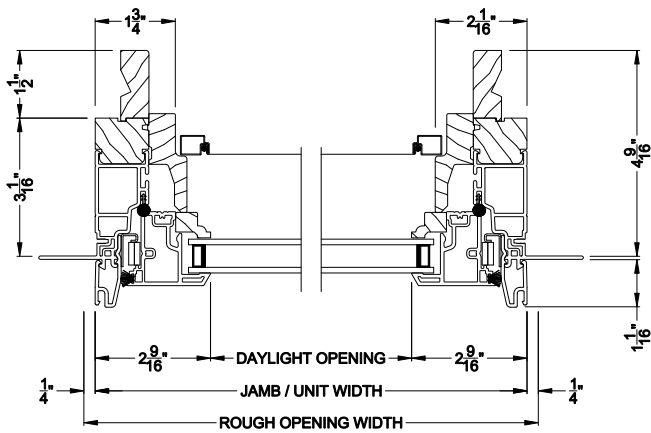
## CROSS SECTION DETAILS



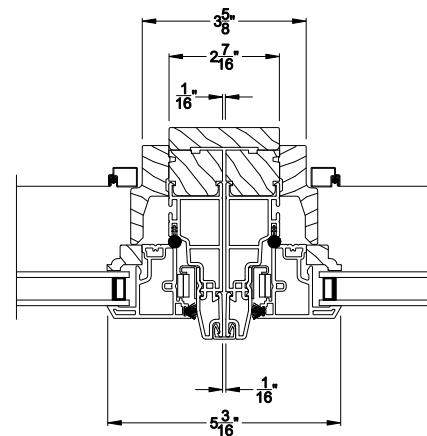
**ASPIRE AWNING WINDOW (7205)**  
Vertical Section



**ASPIRE AWNING WINDOW**  
Horizontal Stack Section - Pic / Awn



**ASPIRE AWNING WINDOW (7205)**  
Horizontal Section



**ASPIRE AWNING WINDOW**  
Vertical Mull Section - AWN / AWN

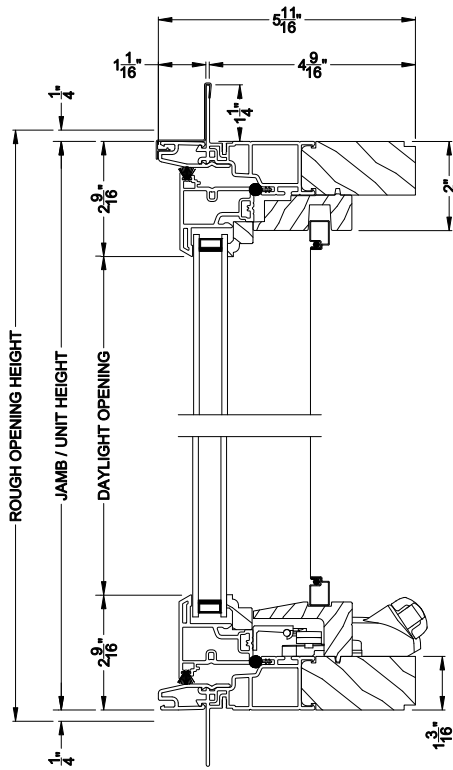
Note: All dimensions are approximate. Weather Shield reserves the right to change specifications without notice.

# Weather Shield®

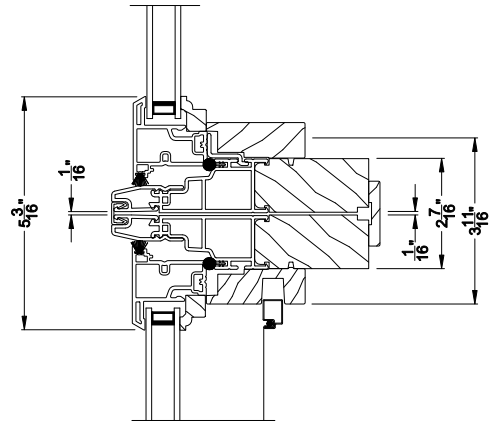
## Aspire Series™

# Awning Windows

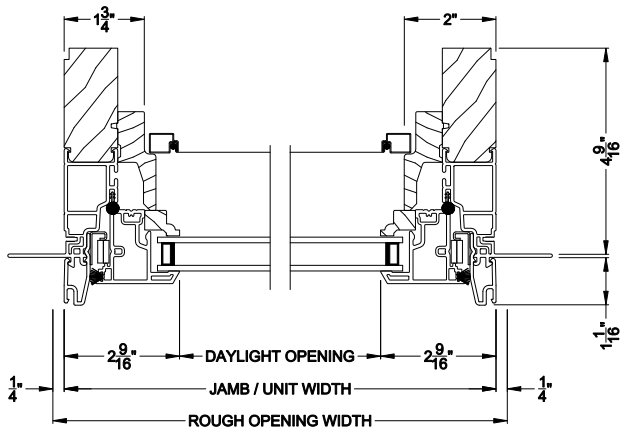
## CROSS SECTION DETAILS



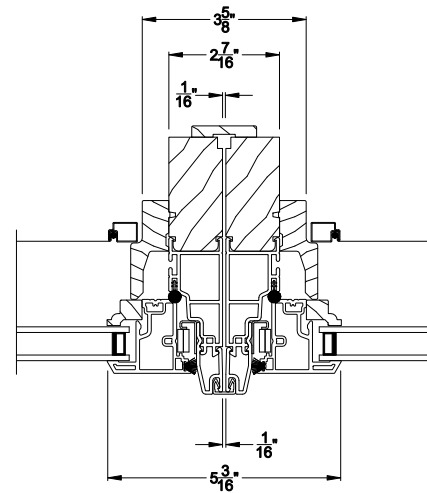
**ASPIRE AWNING WINDOW (7205)**  
Vertical Section - 5/4 jamb



**ASPIRE AWNING WINDOW**  
Horizontal Stack Section - Pic / AwN



**ASPIRE AWNING WINDOW (7205)**  
Horizontal Section - 5/4 jamb



**ASPIRE AWNING WINDOW**  
Vertical Mull Section - AWN / AWN

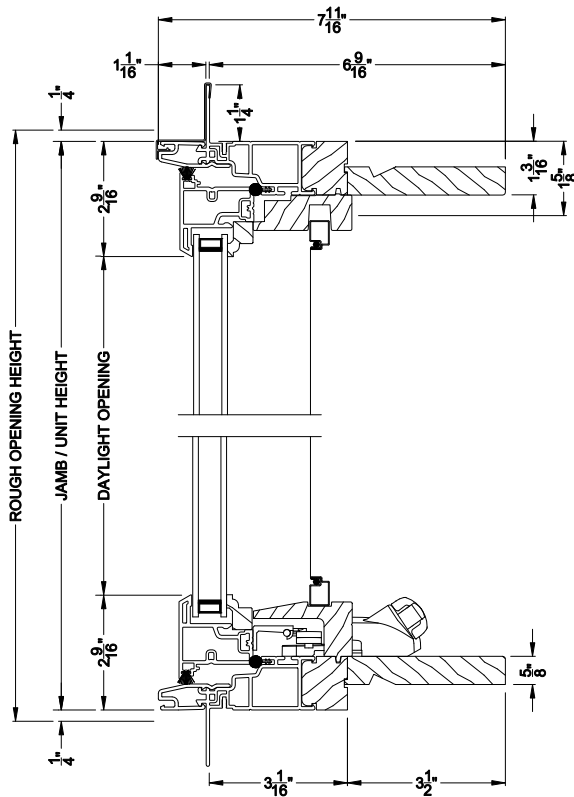
Note: All dimensions are approximate. Weather Shield reserves the right to change specifications without notice.

# Weather Shield®

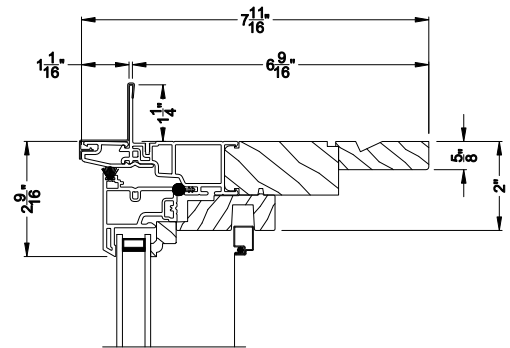
## Aspire Series™

# Awning Windows

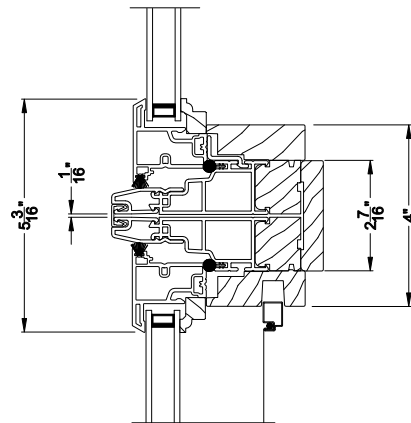
## CROSS SECTION DETAILS



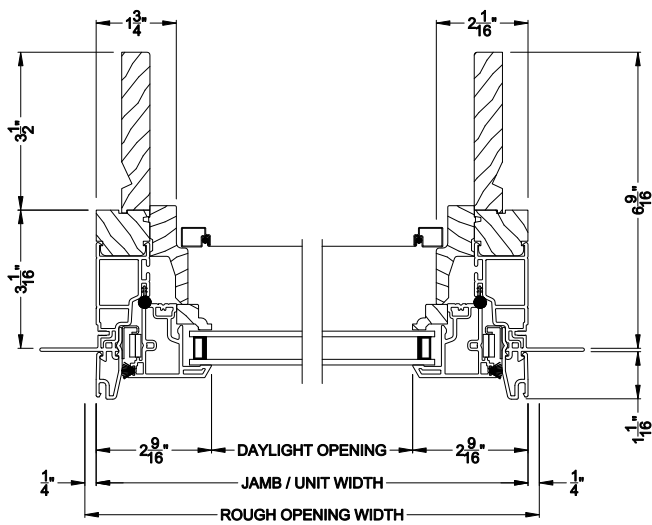
**ASPIRE AWNING WINDOW (7205)**  
Vertical Section



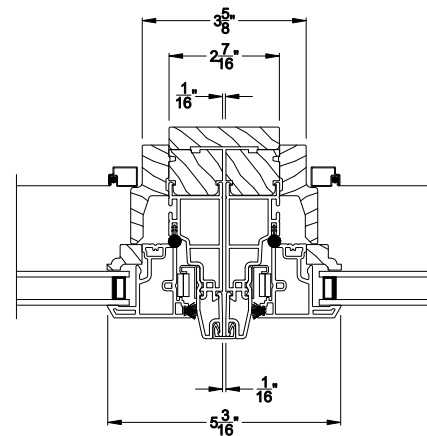
**ASPIRE AWNING WINDOW**  
Vertical Section - 5/4 jamb option with extension



**ASPIRE AWNING WINDOW**  
Horizontal Stack Section - Pic / Awn



**ASPIRE AWNING WINDOW (7205)**  
Horizontal Section



**ASPIRE AWNING WINDOW**  
Vertical Mull Section - Awn / Awn

Note: All dimensions are approximate. Weather Shield reserves the right to change specifications without notice.