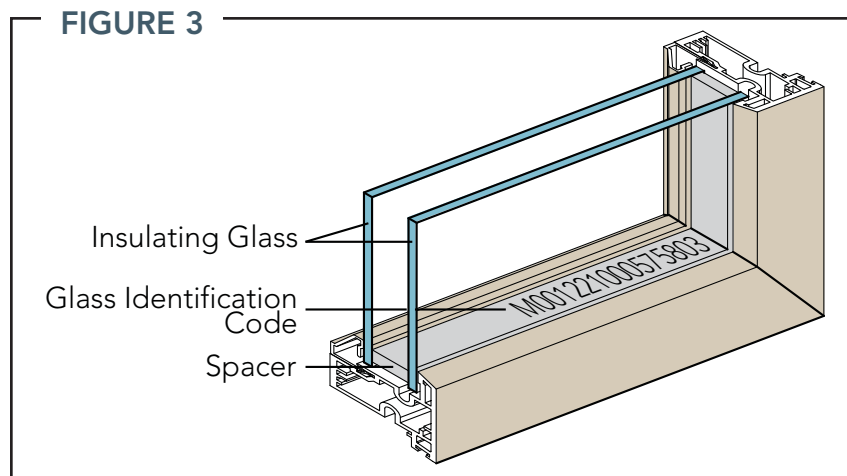




Glass ID Code Identification

The ID number is not: WSIGCC CBA 03

A glass production code consisting of 12 to 15 digits is located on the spacer (Figure 3). This code identifies that unit's order, item, and sequence. It does not tell us all details regarding hinge codes, top or bottom sash. Units produced prior to 1996, custom made shapes, and insulated glass that we purchased will not have a glass code. In this case provide original order or complete description of the unit.



1. The letter will be for the plant that produced the unit.
 - M = Millwork
 - P = Park Falls
 - L = Ladysmith
2. The 00 behind the M is the year of manufacture. (2000)
 - Occasionally the zeros at the front of the number may be omitted.
3. The next two numbers will be the month of manufacture. (12)
 - If the year is 2000, occasionally an additional zero at the front of the number may be omitted.
4. The next two numbers are the day of manufacture. (21)
5. Then there will be a series of zeros – the entire ID will be 12-15 numbers, not including the letter. (M, P, L)

If there is a question on a number, you can't tell if it is an 8 or a 0, please note this when submitting the order and we will try different numbers when we are checking it to try to make it work.

You can always call the Field Service Dept. or Customer Relations to ask them to pull up the ID number to make sure it is a valid number.